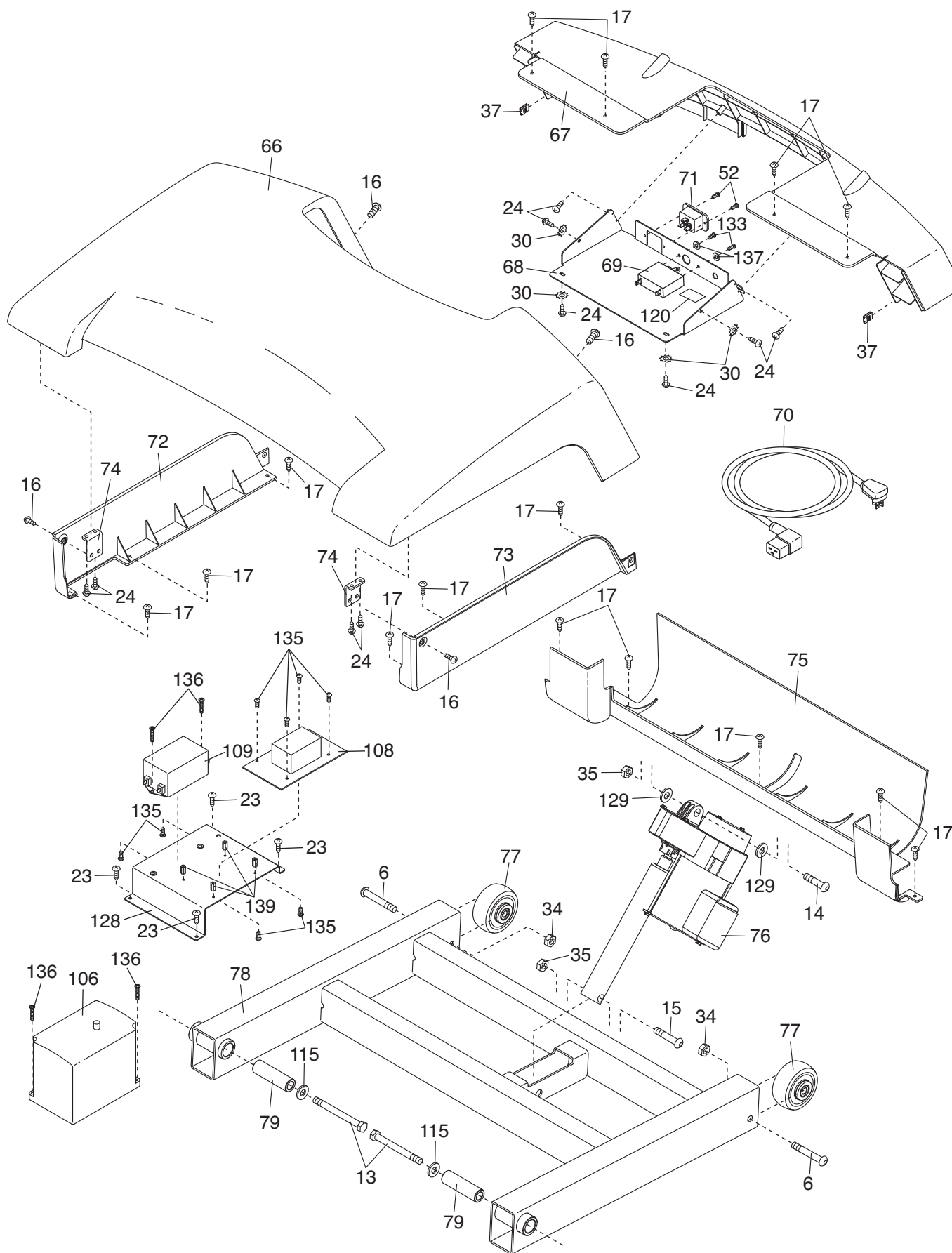


EXPLODED DRAWING B—Model No. FMTL39809.0

R0510A



EXPLODED DRAWING C—Model No. FMTL39809.0

R0510A

