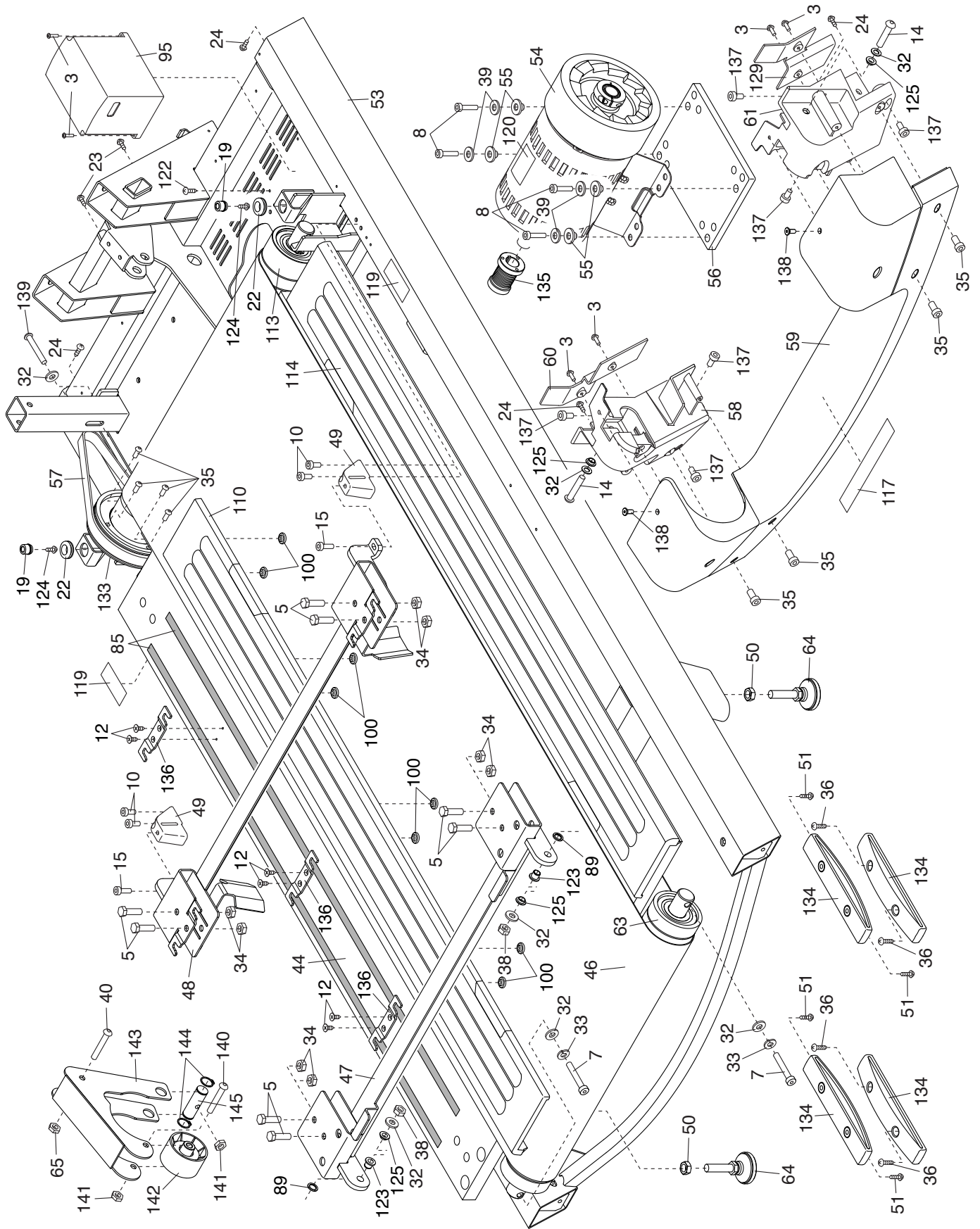


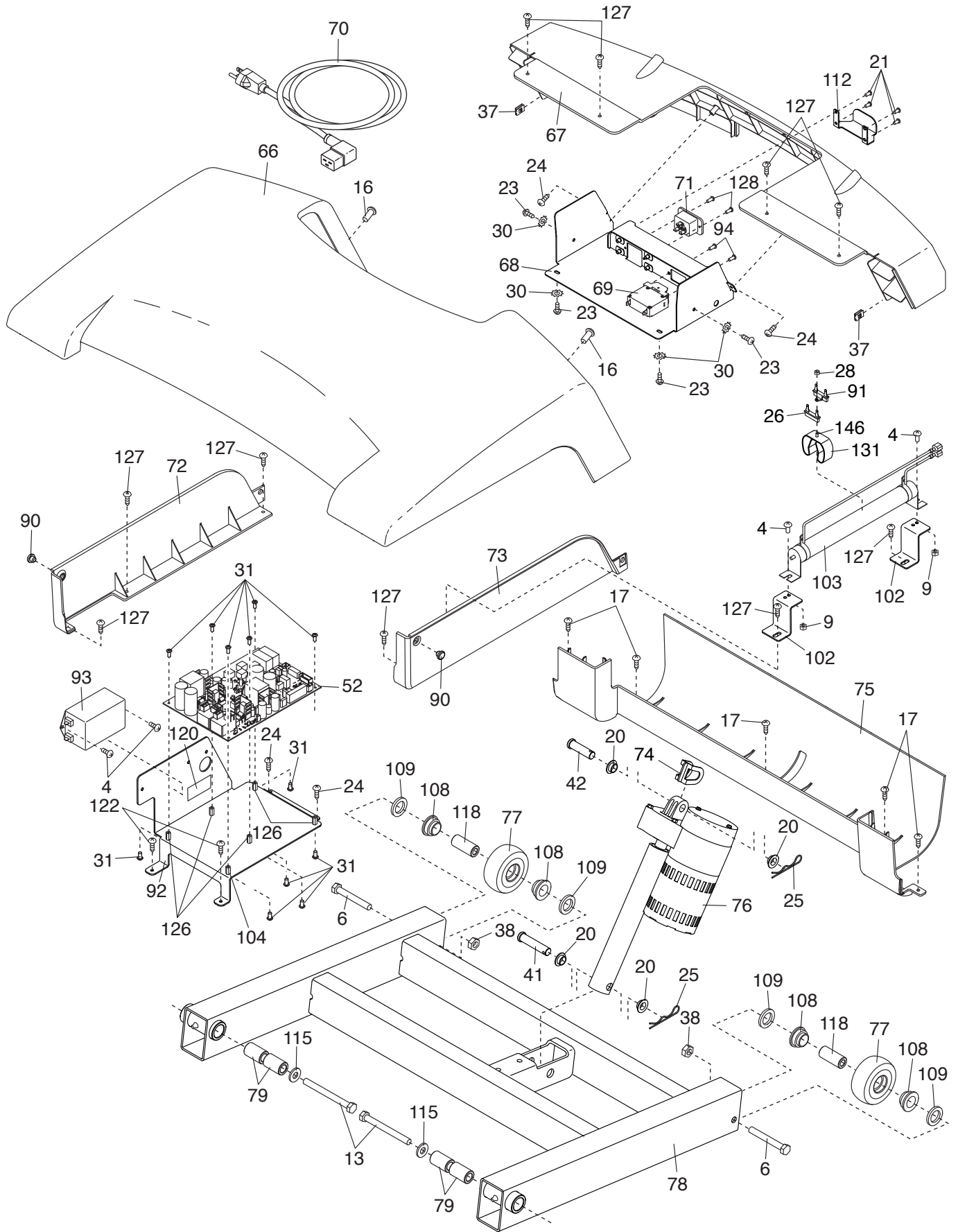
EXPLODED DRAWING A

Model No. FMTL39817.1 R1217A



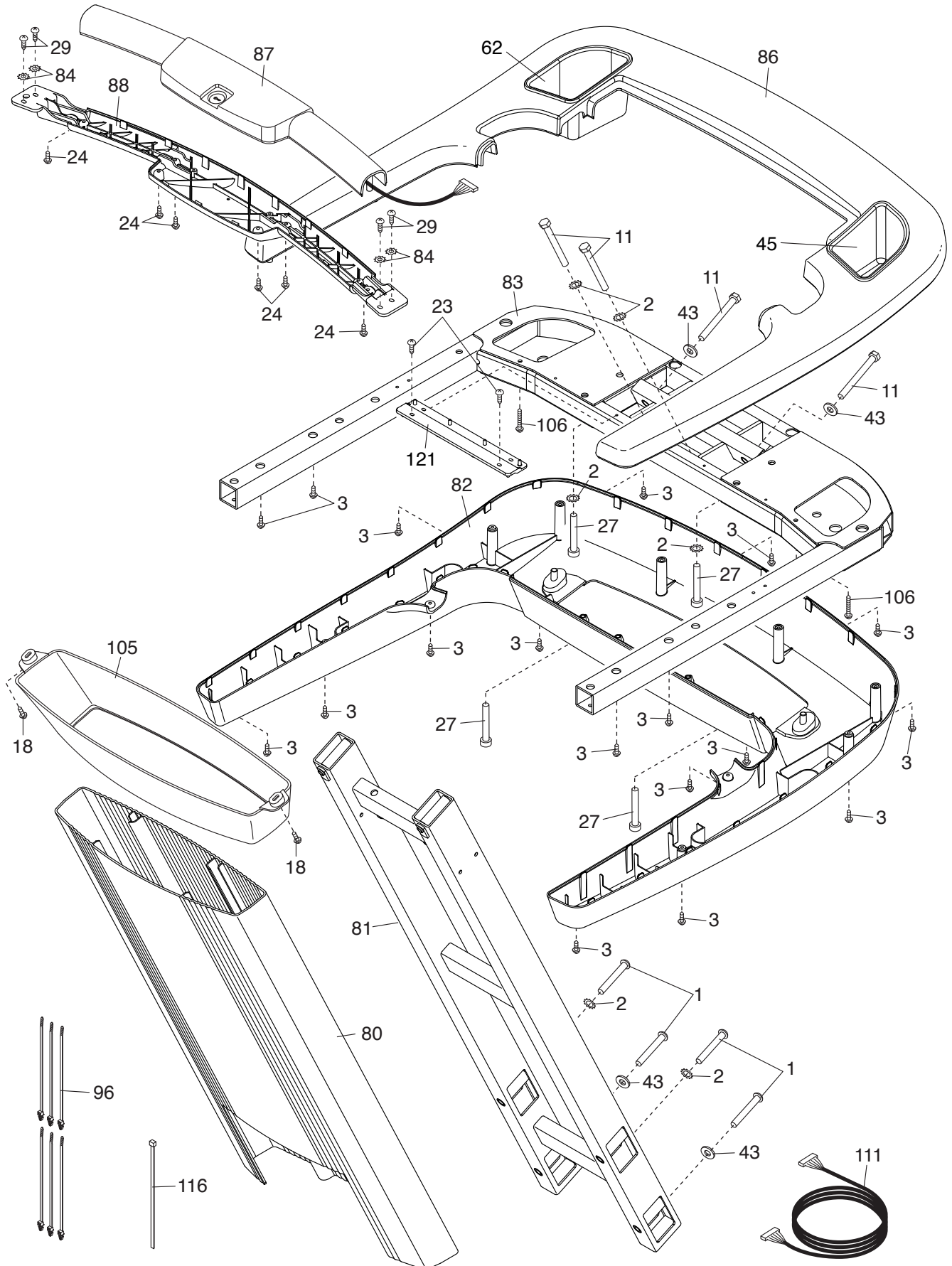
EXPLODED DRAWING B

Model No. FMTL39817.1 R1217A



EXPLODED DRAWING C

Model No. FMTL39817.1 R1217A



EXPLODED DRAWING D

Model No. FMTL39817.1 R1217A

