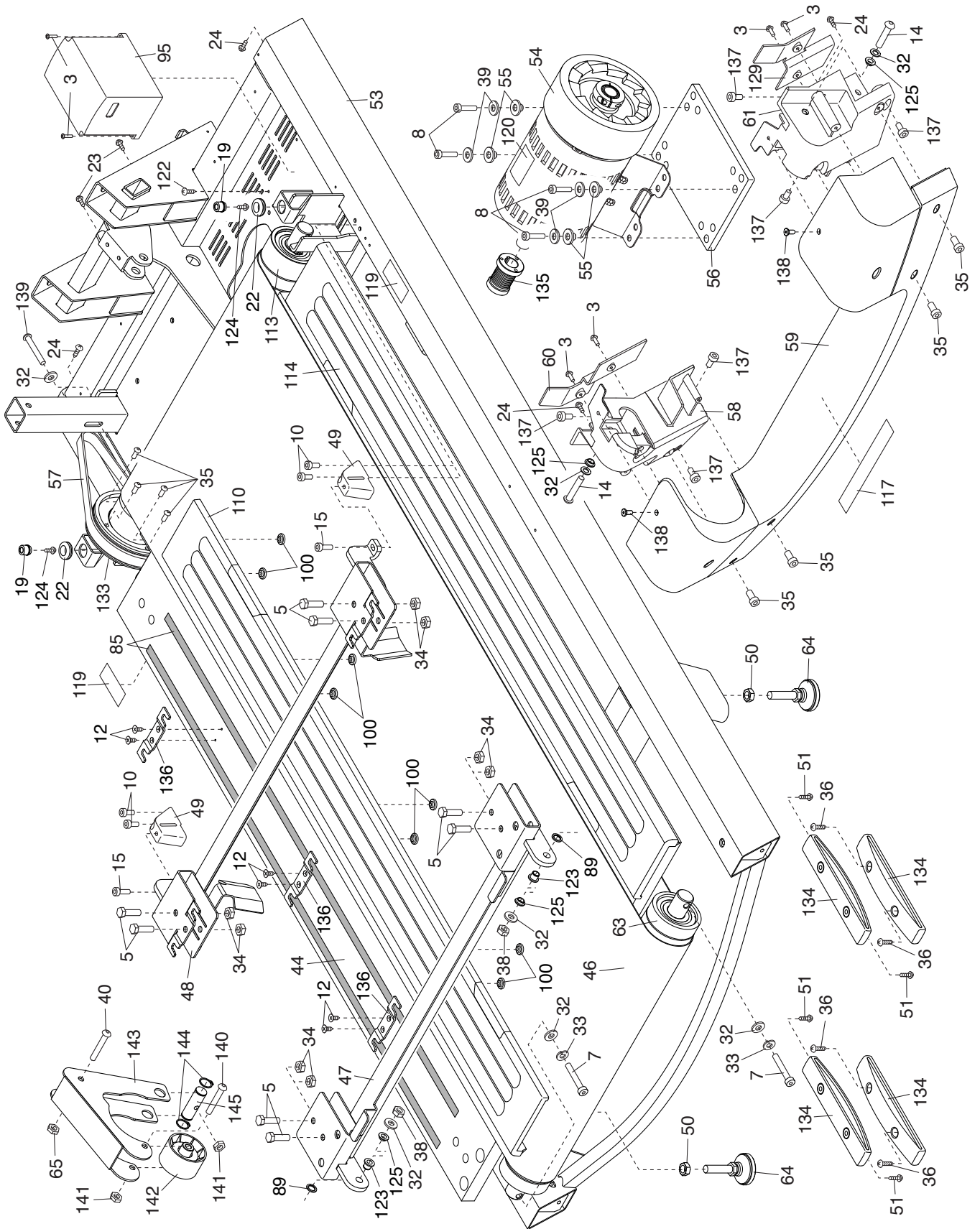


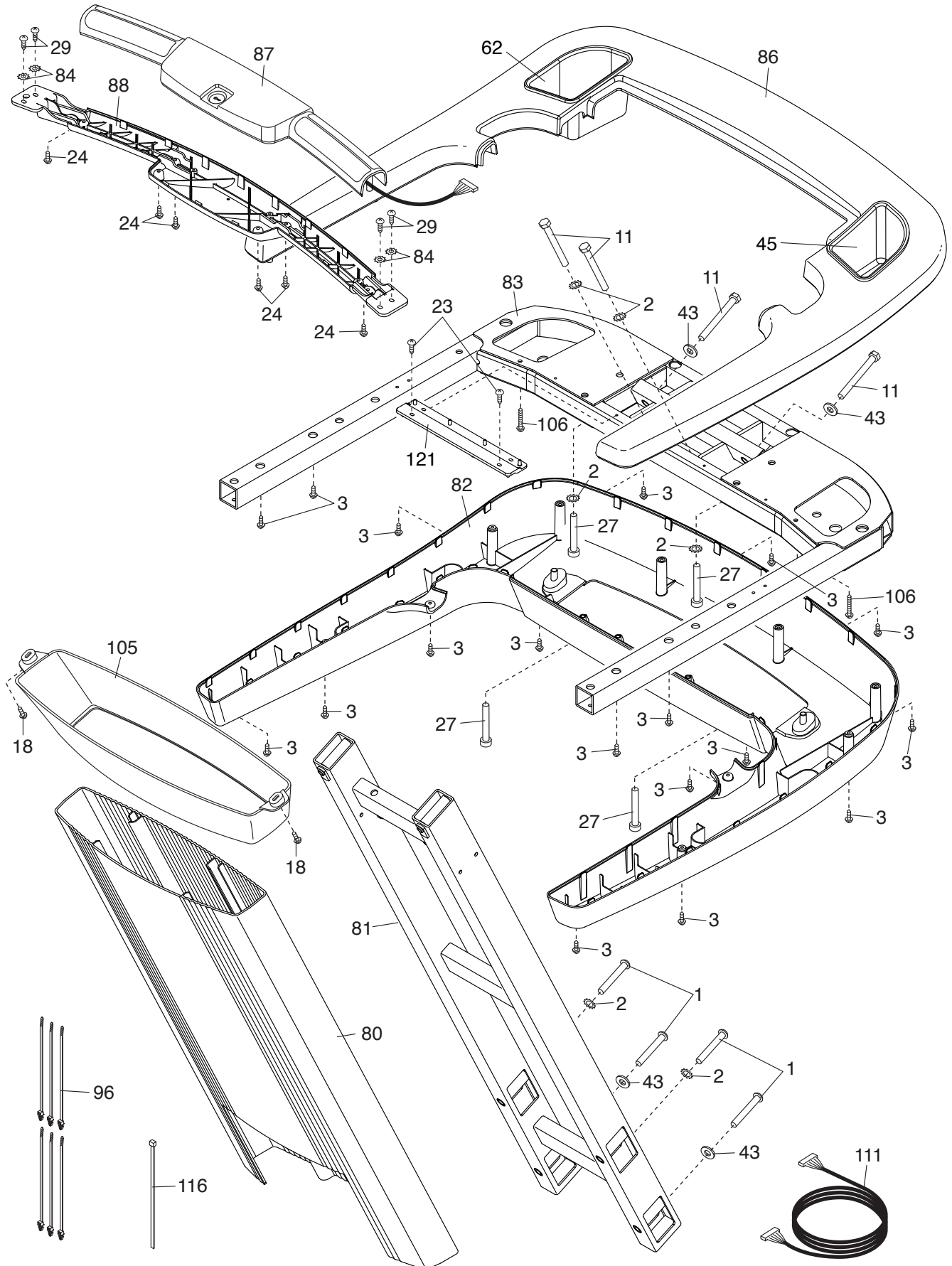
EXPLODED DRAWING A

Model No. FMTL39818-INT.1 R1217A



EXPLODED DRAWING C

Model No. FMTL39818-INT.1 R1217A



EXPLODED DRAWING D

Model No. FMTL39818-INT.1 R1217A

