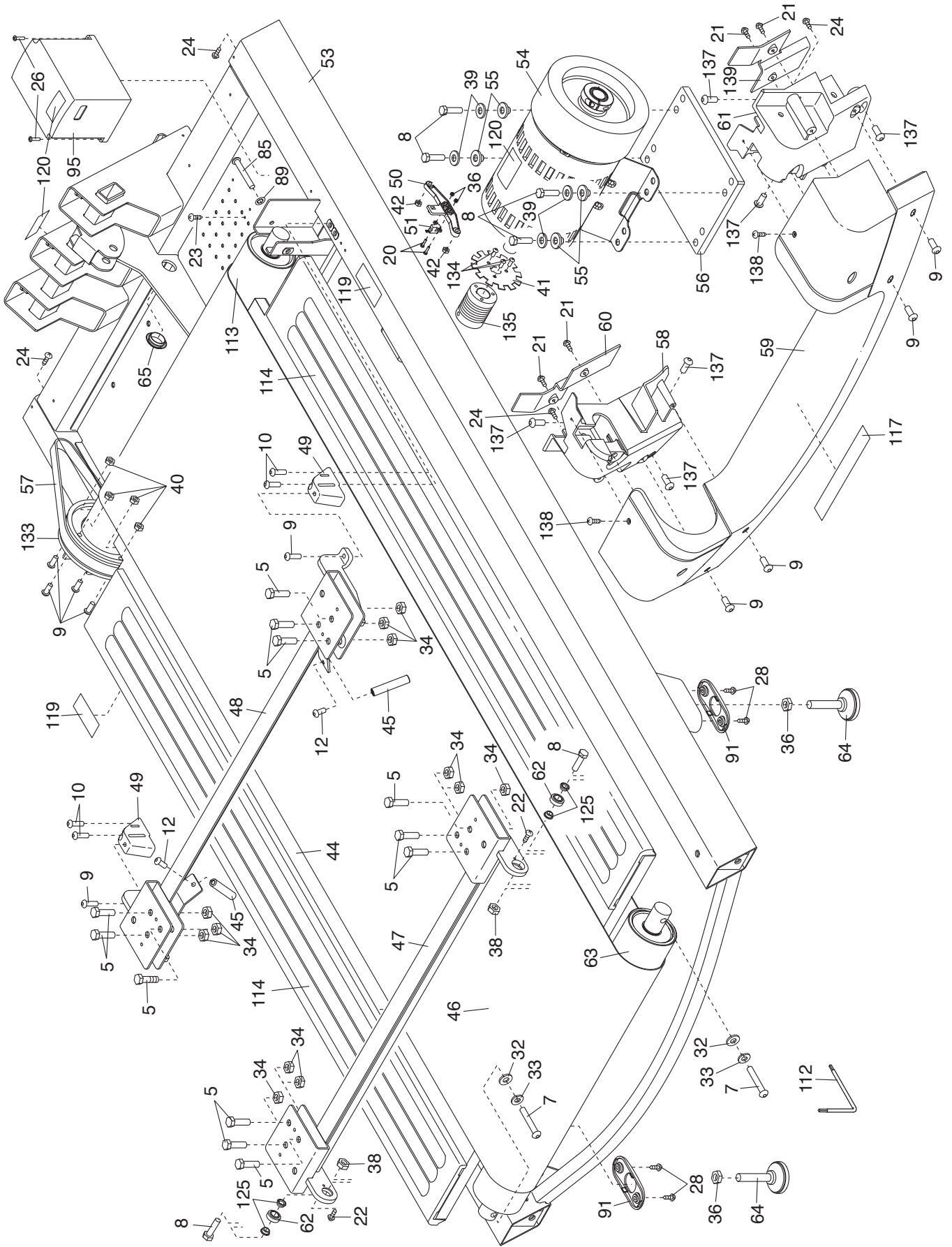


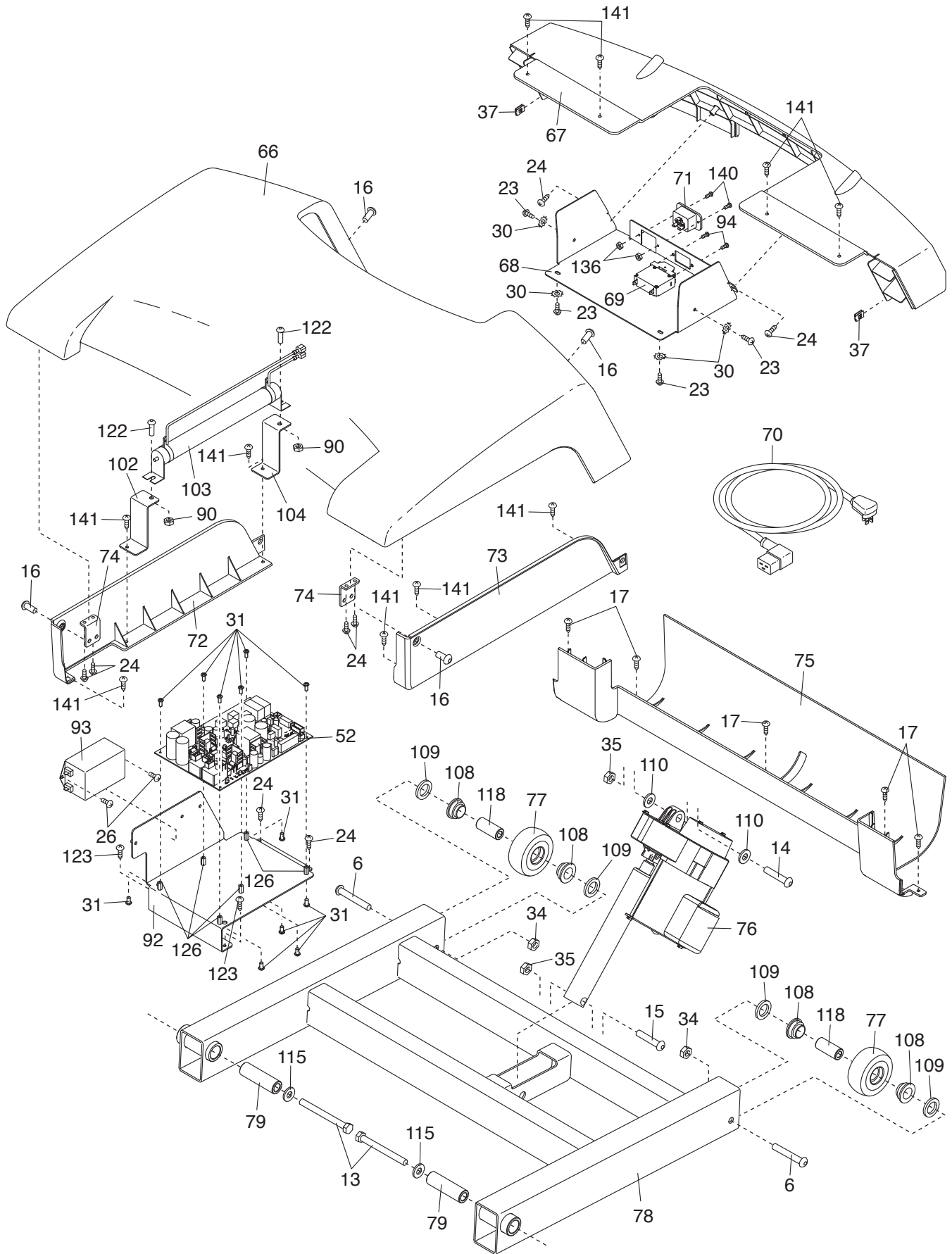
EXPLODED DRAWING A

Model No. FMTL70810-INT.0 R0812A



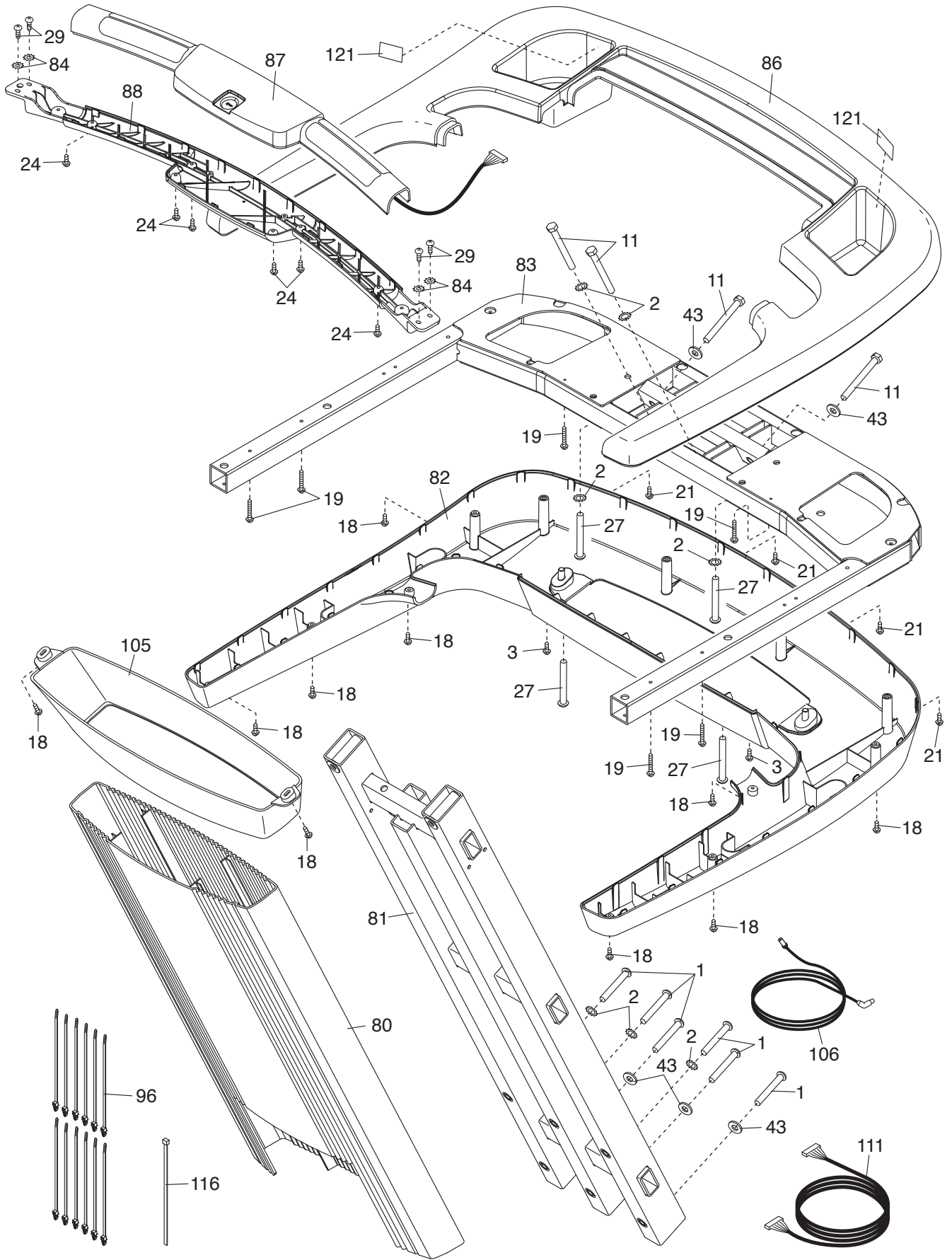
EXPLODED DRAWING B

Model No. FMTL70810-INT.0 R0812A



EXPLODED DRAWING C

Model No. FMTL70810-INT.0 R0812A



EXPLODED DRAWING D

Model No. FMTL70810-INT.0 R0812A

