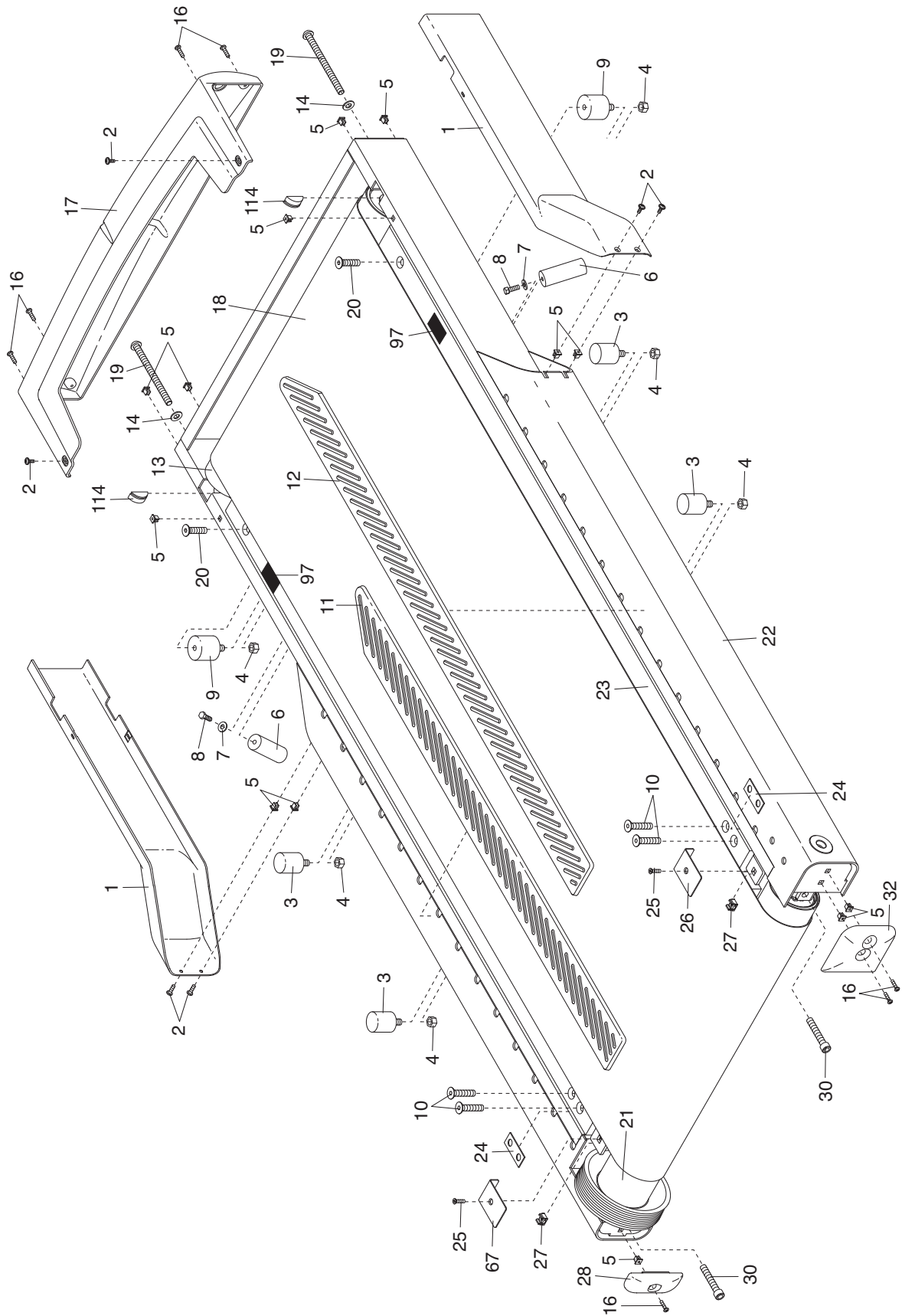


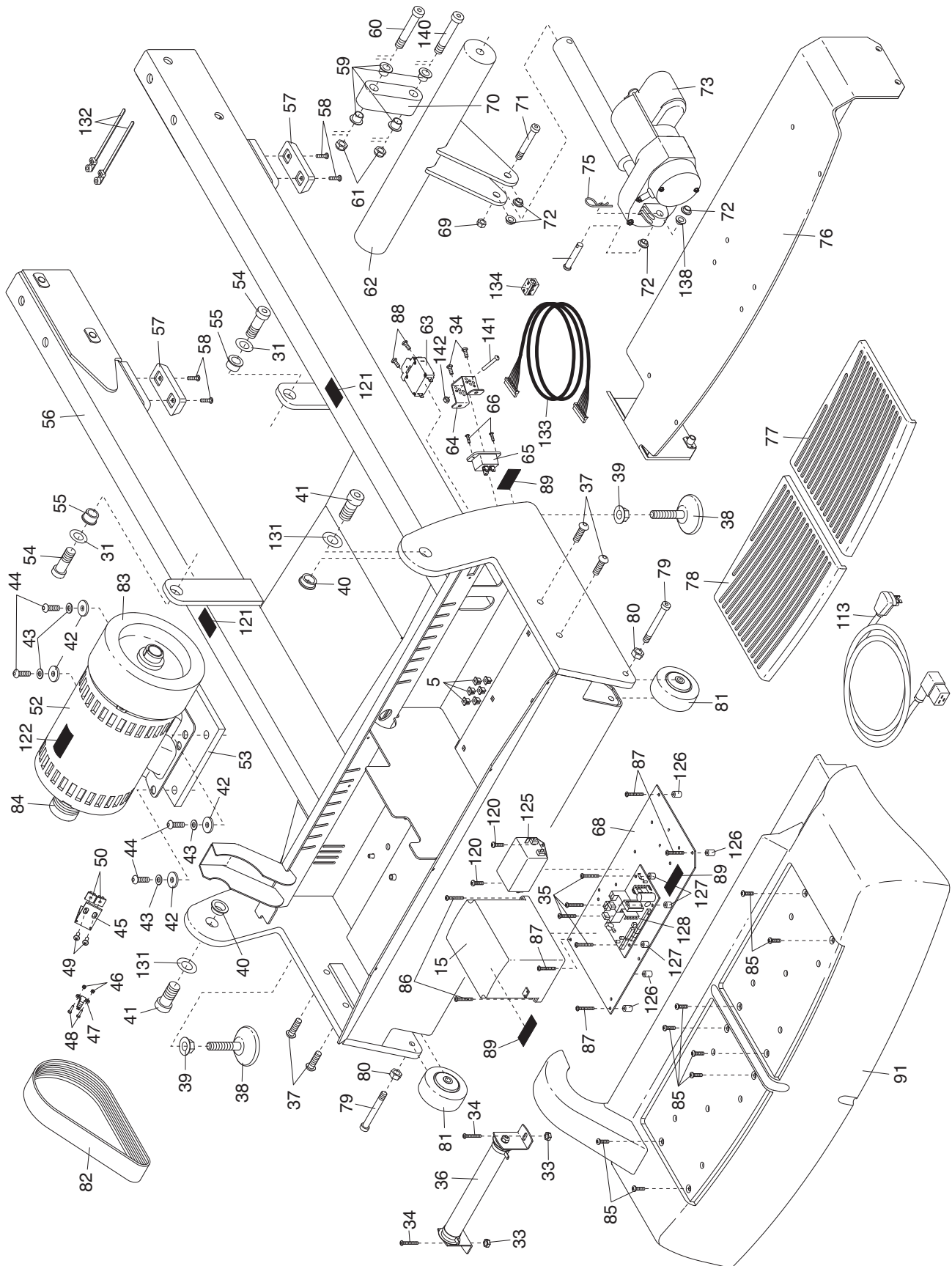
EXPLODED DRAWING A— Model No. FMTL82509.0/FMTL85009.0

R0810A



EXPLODED DRAWING B— Model No. FMTL82509.0/FMTL85009.0

R0810A



EXPLODED DRAWING C— Model No. FMTL82509.0/FMTL85009.0

R0810A

