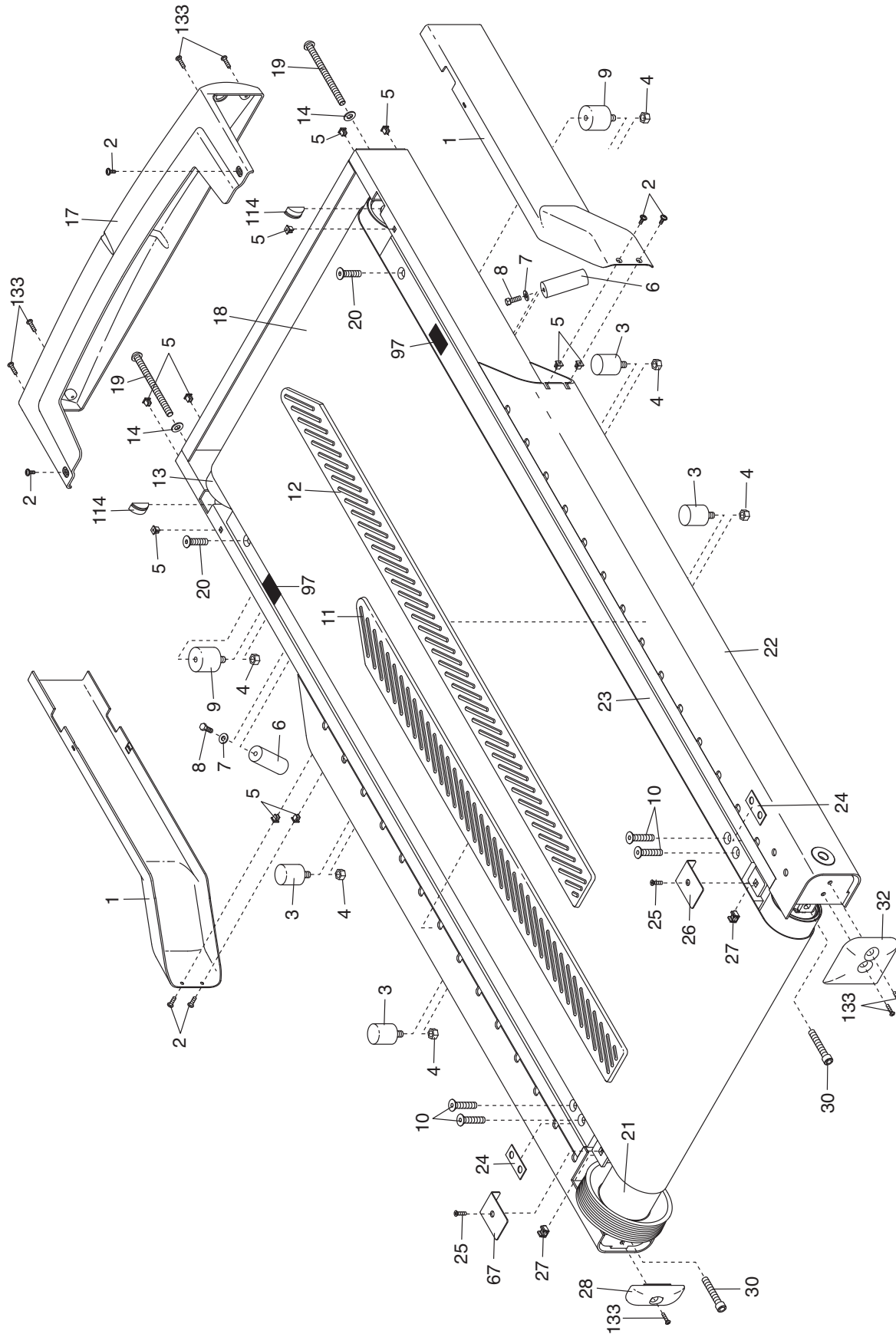
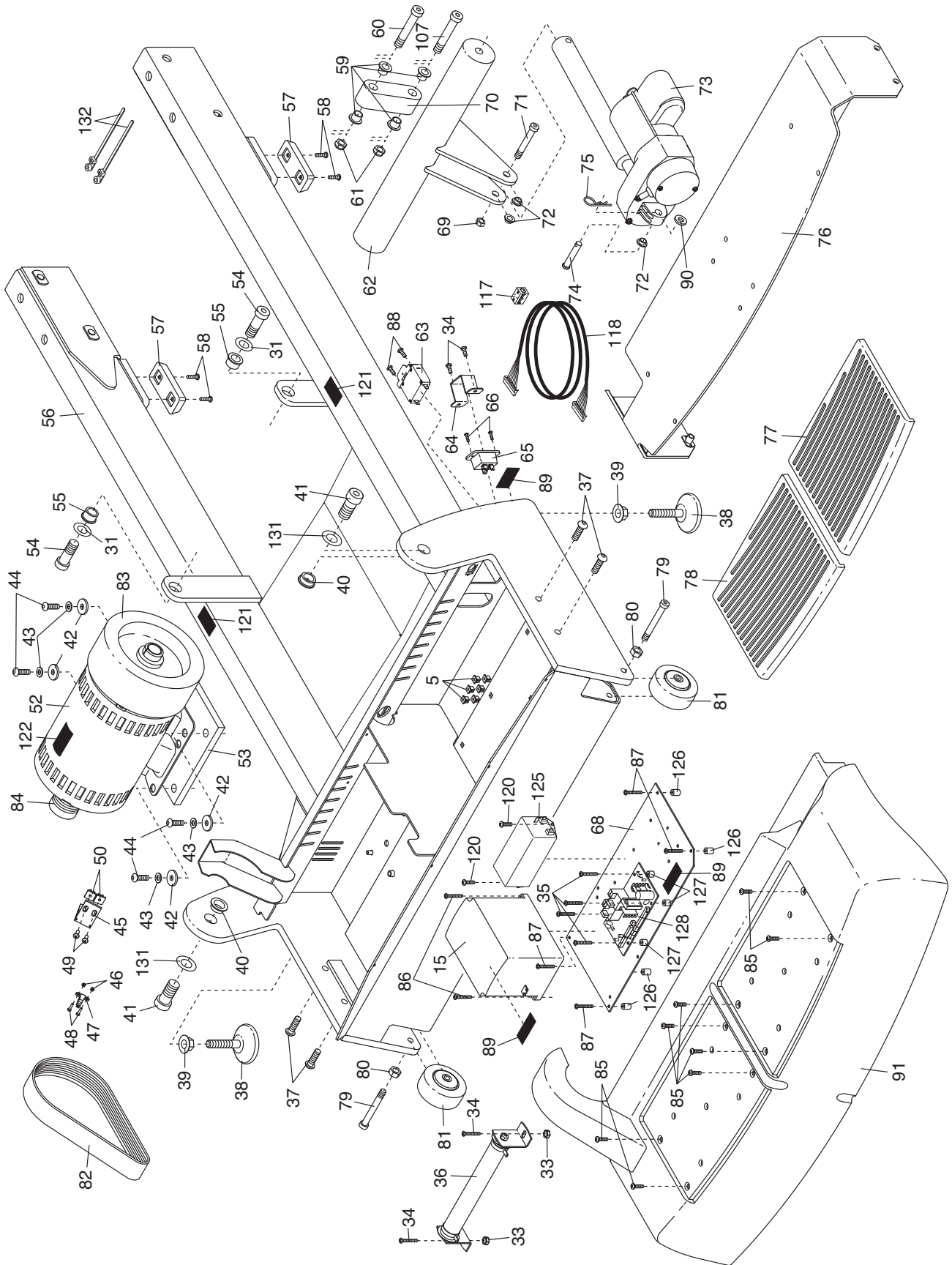


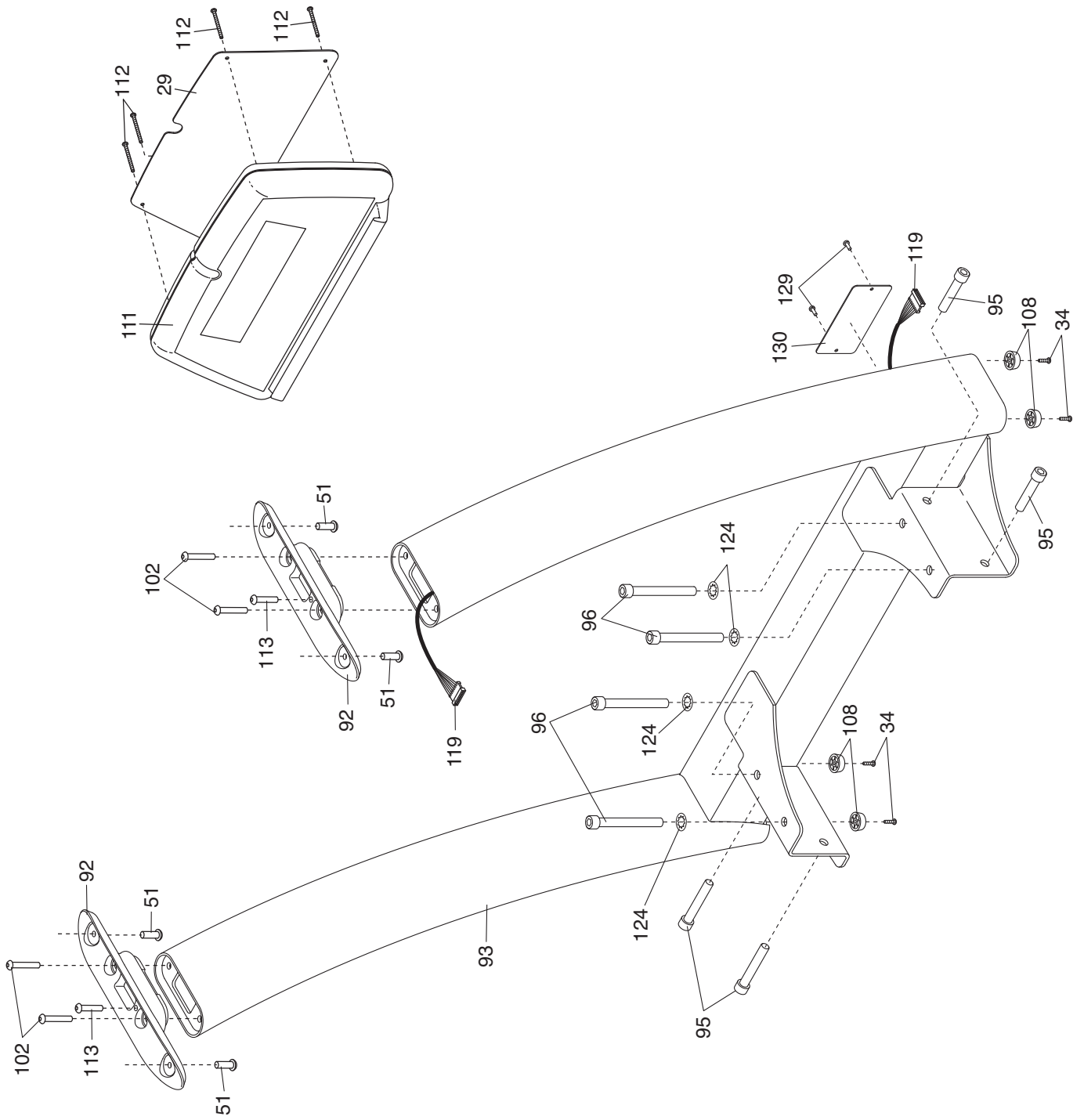
# EXPLODED DRAWING A—Model No. FMTL8255-INT.0 R0710A



# EXPLODED DRAWING B—Model No. FMTL8255-INT.0 R0710A



# EXPLODED DRAWING C—Model No. FMTL8255-INT.0 R0710A



# EXPLODED DRAWING D—Model No. FMTL8255-INT.0 R0710A

