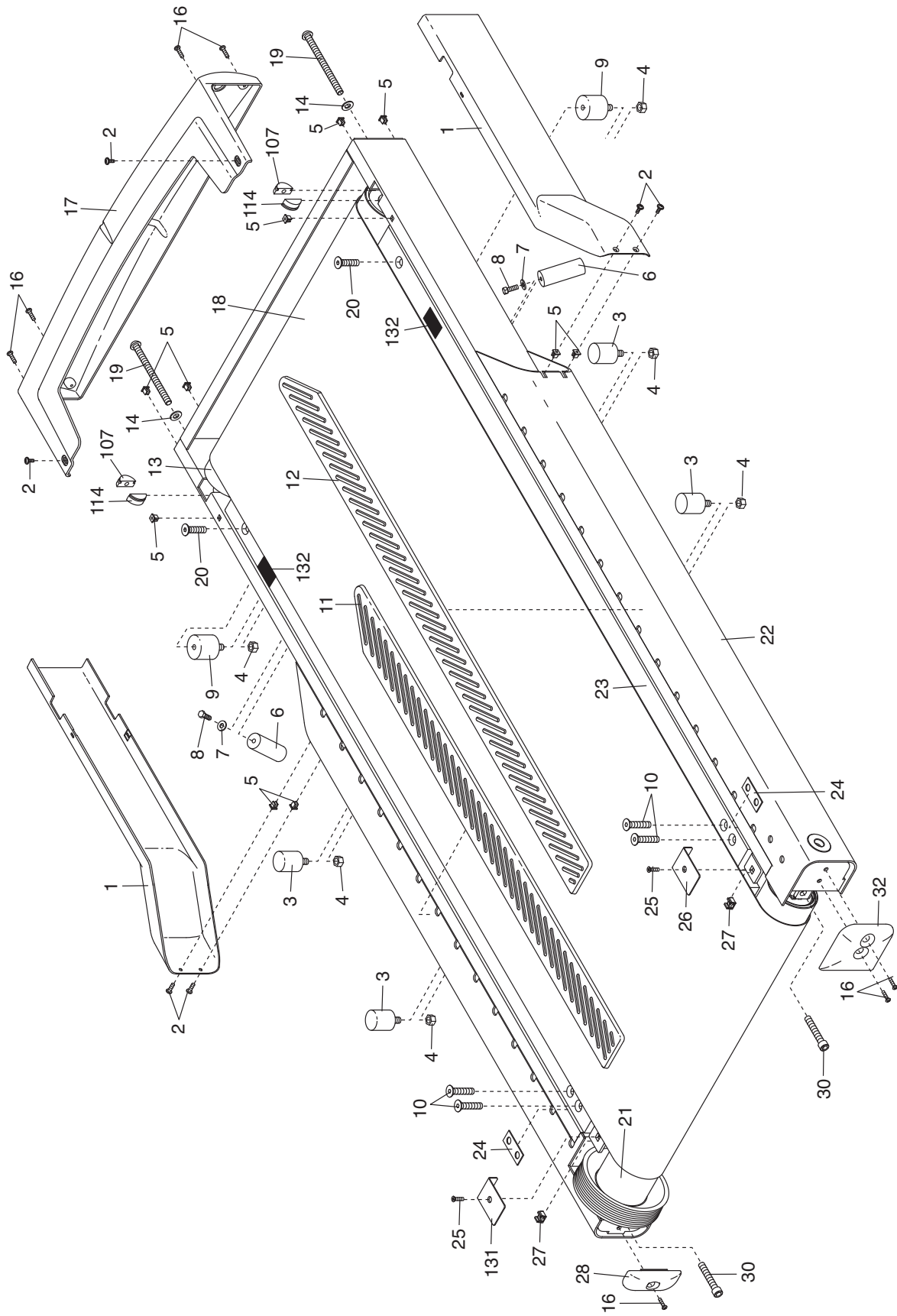


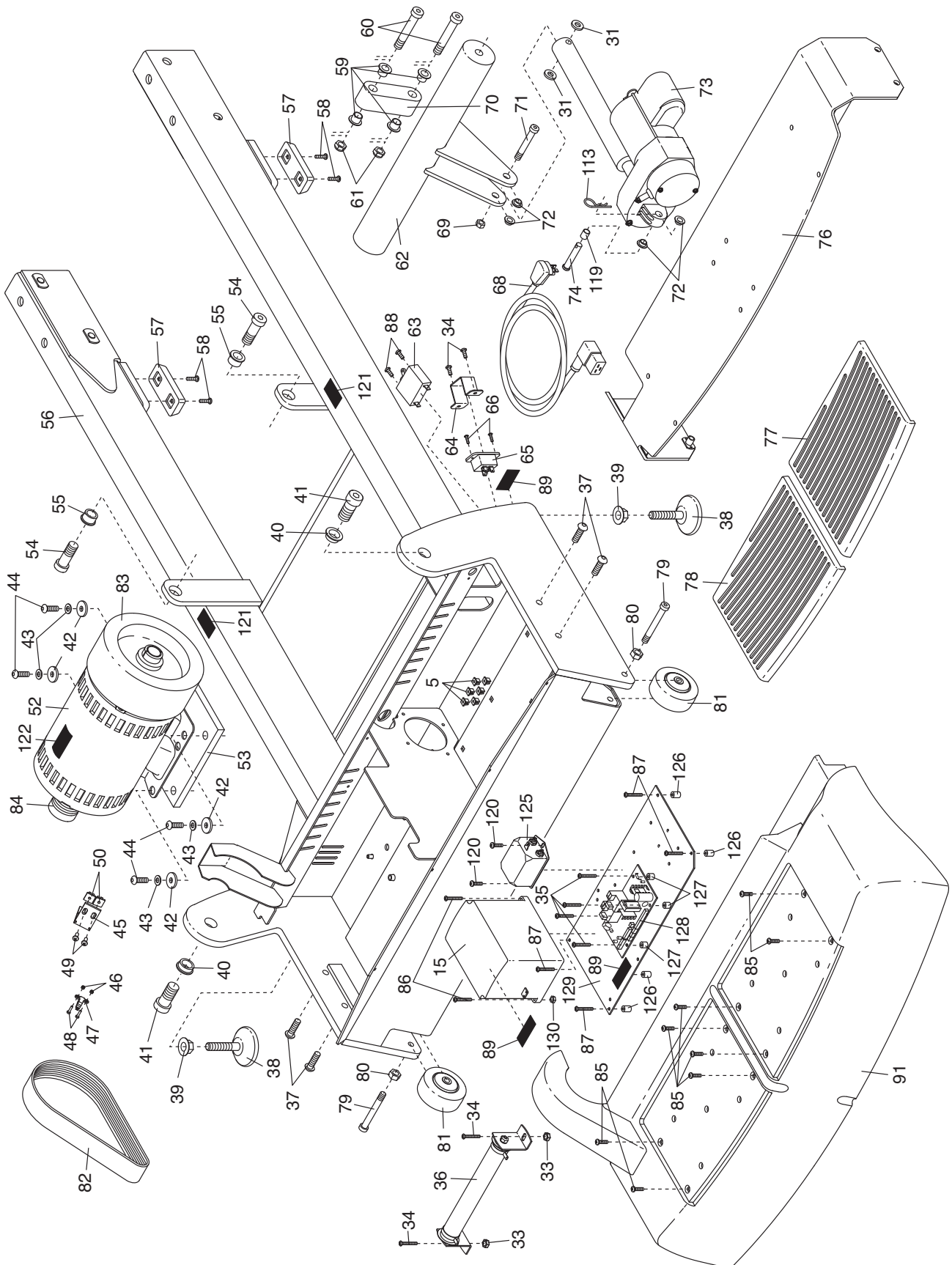
EXPLODED DRAWING A— Model No. FMTL8255P.3/FMTL8505P.3

R0909A



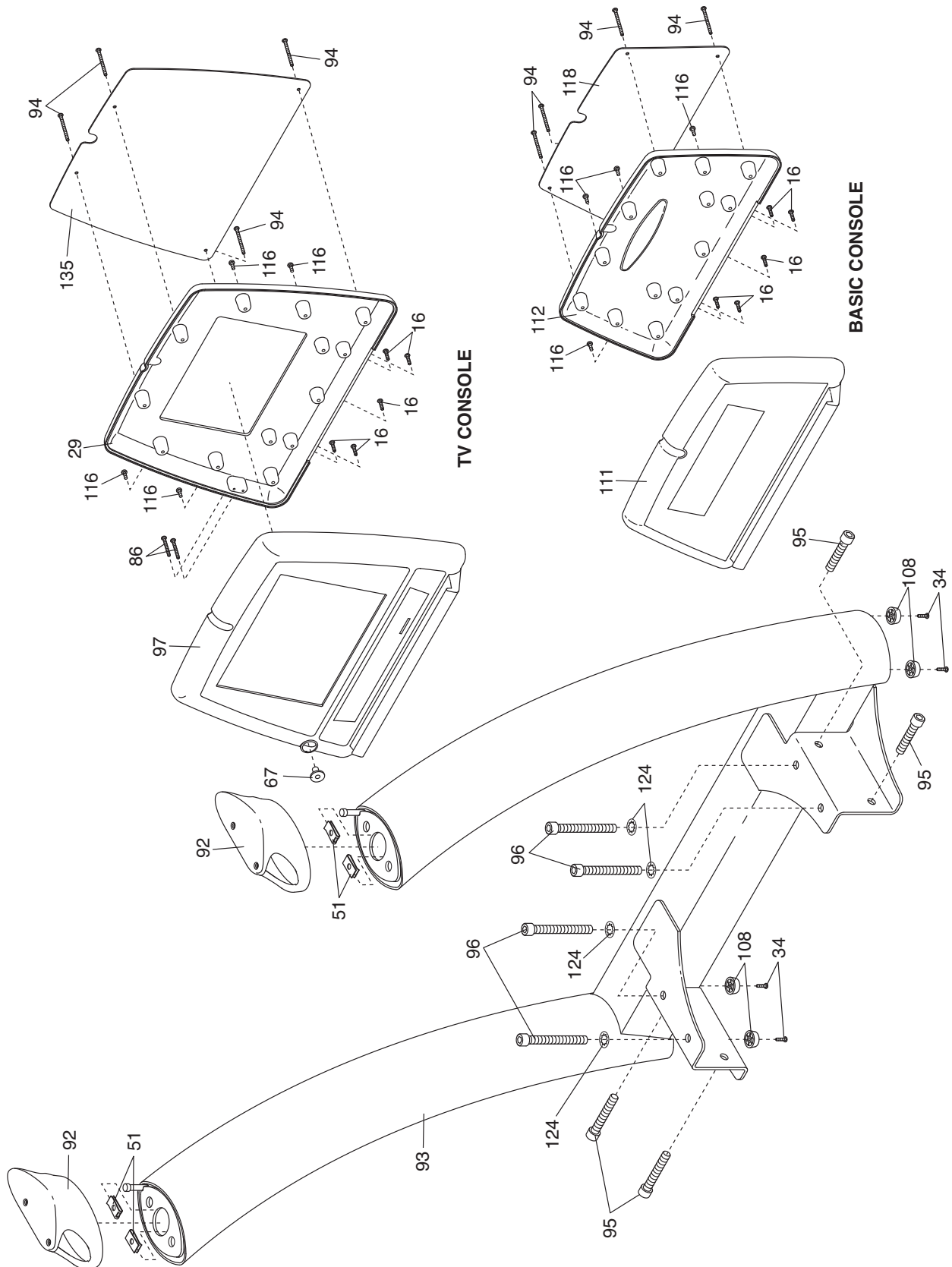
EXPLODED DRAWING B— Model No. FMTL8255P.3/FMTL8505P.3

R0909A



EXPLODED DRAWING C— Model No. FMTL8255P.3/FMTL8505P.3

R0909A



EXPLODED DRAWING D— Model No. FMTL8255P.3/FMTL8505P.3

R0909A

