

PART LIST-FMTL8257P-ISP.0/FMTL8507P-ISP.0**R0507A**

To locate the parts listed below, see the EXPLODED DRAWING.

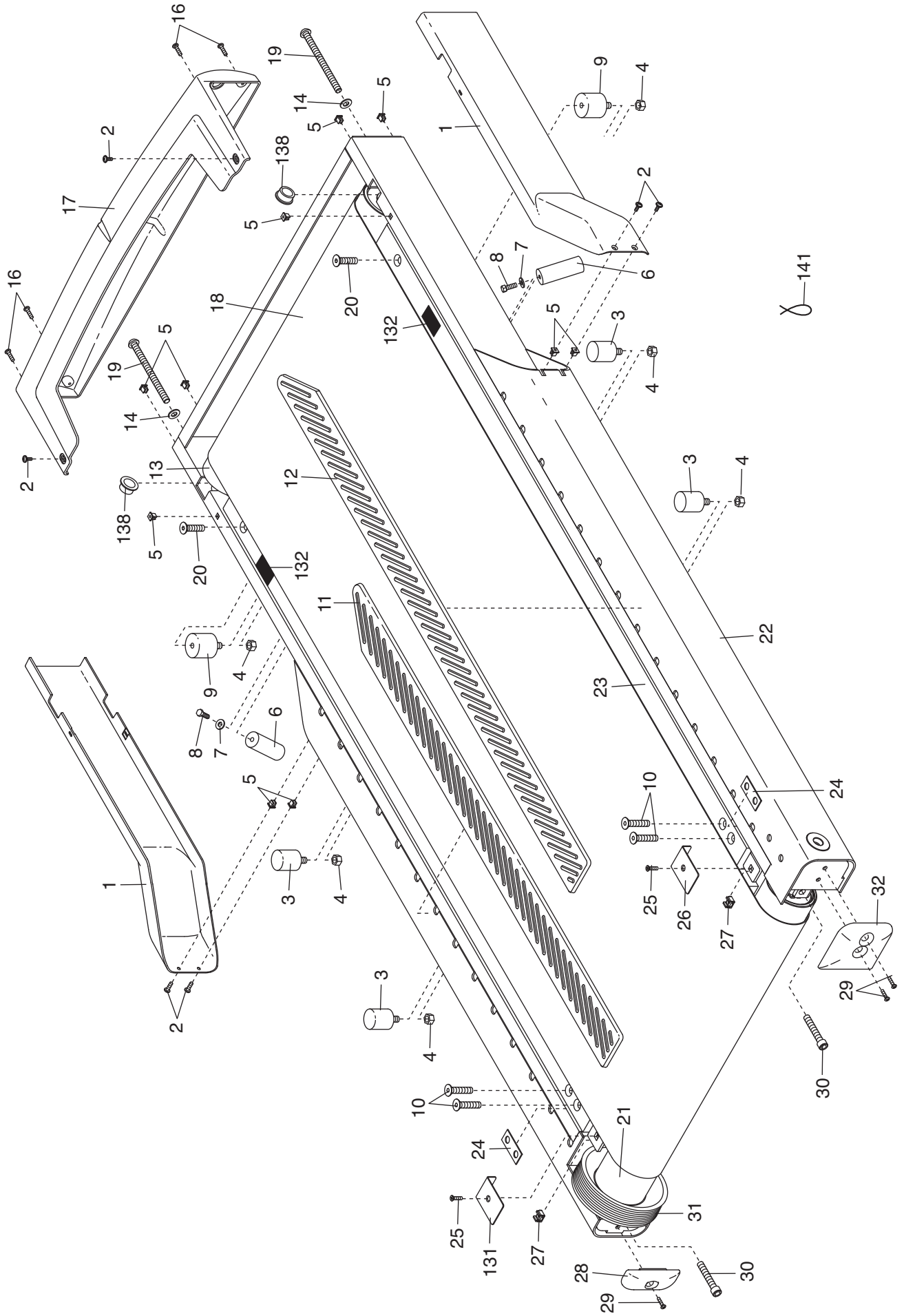
Key No.	Qty.	Description	Key No.	Qty.	Description
1	2	Side Cover	51	1	Speed Disk
2	6	Cover Screw	52	1	Drive Motor
3	4	Center Isolator	53	1	Drive Motor Isolator
4	6	Isolator Nut	54	2	Torsion Bar Bolt
5	18	Plastic Insert	55	2	Torsion Bar Bushing
6	2	Belt Guide	56	1	Base Frame
7	2	Belt Guide Spacer	57	2	Base Frame Pad
8	2	Belt Guide Bolt	58	4	Base Frame Pad Screw
9	2	Front Isolator	59	4	Incline Link Bushing
10	4	Walking Platform Bolt, Rear	60	2	Incline Link Bolt
11	1	Left Foot Pad	61	2	Incline Link Nut
12	1	Right Foot Pad	62	1	Torsion Bar
13	1	Front Roller	63	1	On/Off Circuit Breaker
14	2	Front Roller Washer	64	1	Power Cord Bracket
15	1	Controller Box	65	1	Power Cord Receptical
16	4	Front Cover Screw	66	2	Receptical Bolt
17	1	Front Cover	67	2	Power Cord Bracket Screw
18	1	Walking Belt	68	1	Power Cord
19	2	Front Roller Adjustment Bolt	69	1	Torsion Bar Pivot Nut
20	2	Walking Platform Bolt, Front	70	1	Incline Link Bar
21	1	Drive Roller Assembly	71	1	Torsion Bar Pivot Bolt
22	1	Frame	72	2	Incline Motor Bushing
23	1	Walking Platform	73	1	Incline Motor
24	2	Plastic Platform Spacer	74	1	Incline Motor Pin
25	2	Rear Roller Guard Screw	75	2	Handrail Endcap, Top
26	1	Right Rear Roller Guard	76	1	Hood Support Bracket
27	2	Cage Nut	77	1	Right Hood Cover
28	1	Left Rear Endcap	78	1	Left Hood Cover
29	3	Endcap Screw	79	2	Wheel Bolt
30	2	Rear Roller Adjustment Bolt	80	2	Hex Nut
31	1	Rear Roller/Pulley	81	2	Wheel
32	1	Right Rear Endcap	82	1	Drive Motor Belt
33	2	1/4" Stand-off	83	1	Drive Motor Flywheel
34	2	#10 x 1/2" Screw	84	1	Drive Motor Pulley
35	10	#4 x 1/4" Screw	85	8	Hood Screw
36	1	Resistor	86	1	Power Box Plate
37	4	Hood Support Bolt	87	8	Electronics Screw
38	2	Rear Leveling Foot	88	1	Power Box
39	2	Leveling Foot Nut	89	3	High Voltage Decal
40	2	Frame Pivot Bushing	90	2	#8 x 3/4" Screw
41	2	Frame Pivot Bolt	91	1	Motor Hood
42	4	Drive Motor Spacer	92	2	Upright Cap
43	4	Drive Motor Washer	93	1	Upright
44	4	Drive Motor Bolt	94	4	Console Plate Screw
45	1	Sensor Bracket	95	4	Side Base Bolt
46	2	Speed Sensor Nut	96	4	Top Base Bolt
47	1	Speed Sensor	97	4	Upright Pad Screw
48	2	Speed Sensor Bolt	98	4	Pulse Sensor
49	2	Sensor Bracket Bolt	99	4	Pulse Sensor Screw
50	2	Sensor Bracket Insert	100	4	Pulse Sensor Base

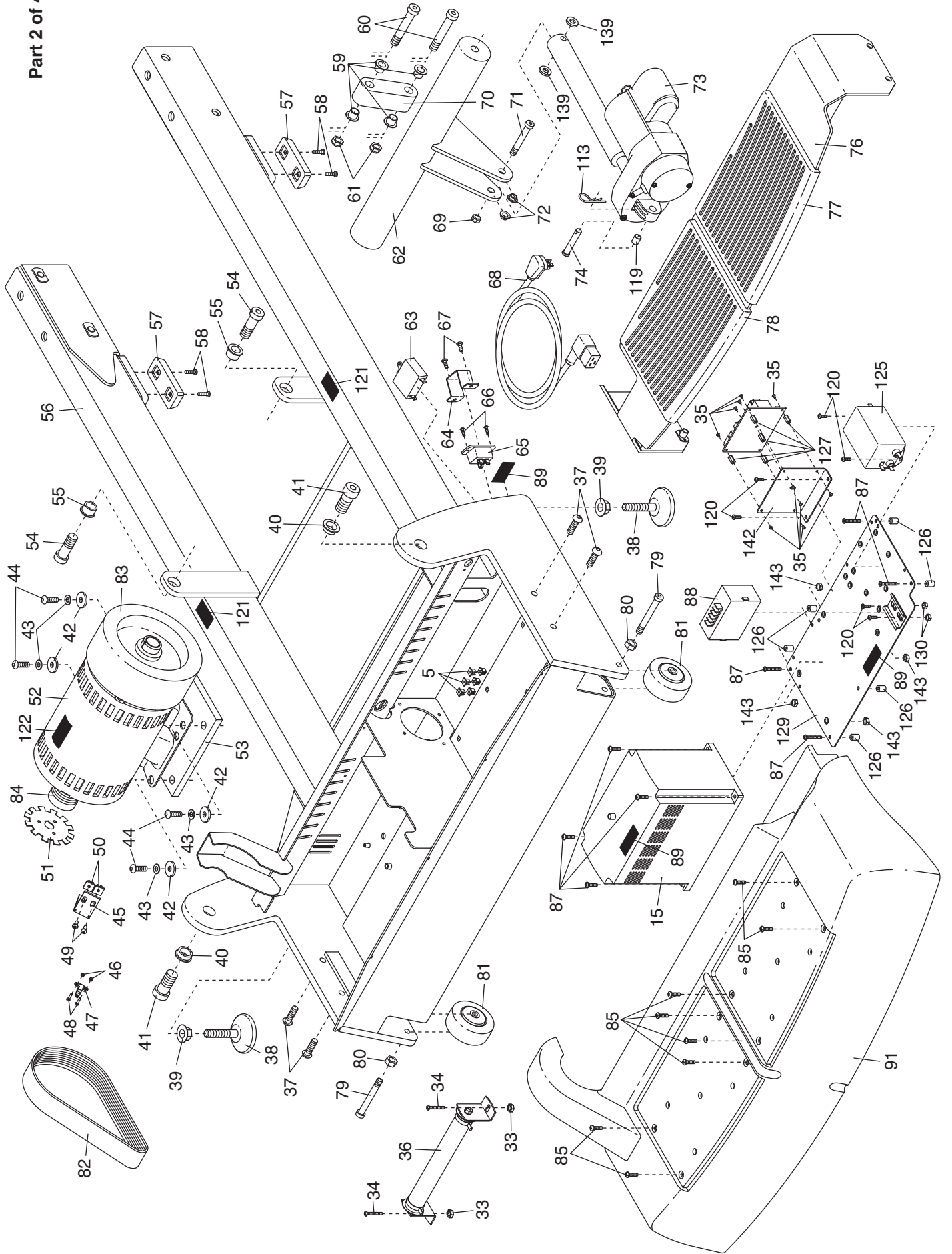
Key No.	Qty.	Description
101	2	Grip
102	4	Handrail Bolt
103	1	Handrail
104	2	Handrail Endcap
105	1	Key/Clip
106	4	Accessory Tray Mounting Screw
107	6	Accessory Tray Screw
108	4	Upright Base Pad
109	1	Left Accessory Tray
110	1	Right Accessory Tray
111	1	Display Console
112	1	Display Console Back
113	1	Cotter Pin
114	5	Display Mounting Screw
115	1	Console
116	16	Console Screw
117	1	Console Back
118	1	Console Plate
119	1	Incline Motor Spacer
120	7	#8 x 1/2" Screw
121	2	Caution Decal
122	1	Hazardous Warning Decal
123	1	Warning Decal
124	4	1/2" Star Washer
125	1	Filter
126	6	Stand-off
127	5	Large #10 Rivet Nut
128	1	Relay Board
129	1	Mount Plate
130	11	#8 Rivet Nut
131	1	Left Rear Roller Guard
132	4	Deck Maintenance Decal
133	1	#8 Star Washer
134	2	TV Console Front Screw
135	1	TV Back Plate
136	1	TV Console Front
137	1	TV Console Back
138	2	Roller Bushing
139	2	Incline Motor Bushing
140	1	Audio Jack
141	1	Tie Wrap
142	1	Relay Board Bracket
143	4	Large #10 Rivet Nut
#	1	Console/Matrix Wire Harness

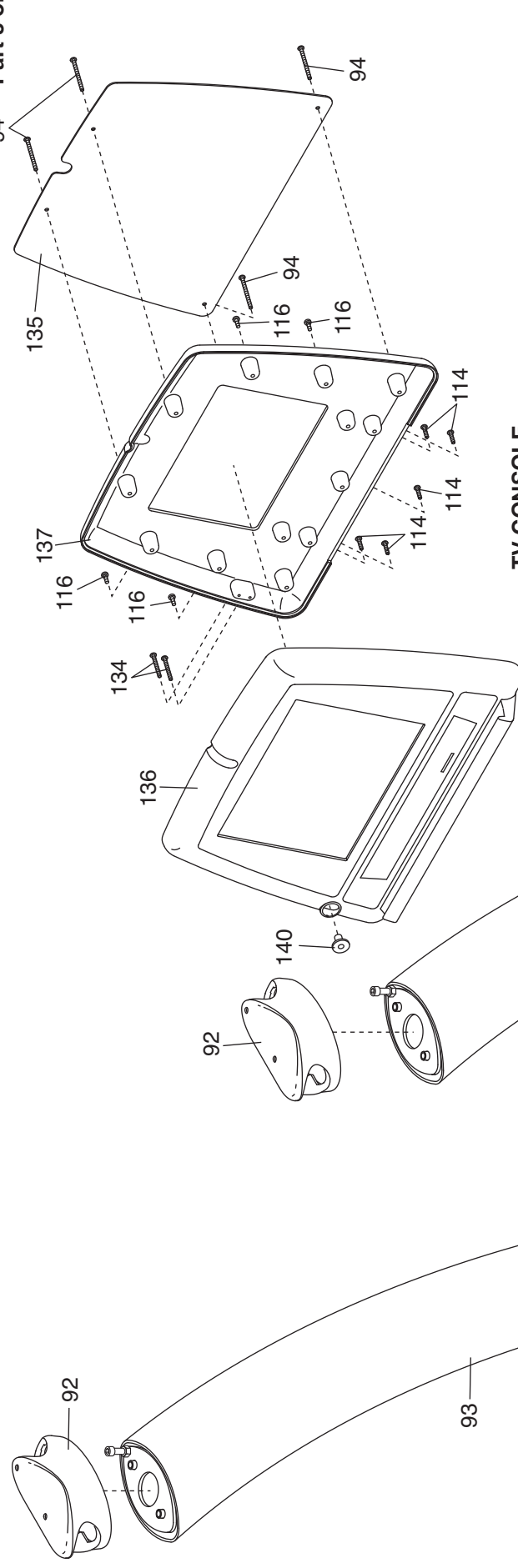
Key No.	Qty.	Description
#	1	20" Wire Harness
#	1	Pulse Grip Wire Harness
#	1	Pulse Wire Harness
#	1	Pulse Circuit Board
#	1	CSAFE Circuit Board
#	1	Main PCB Circuit Board
#	1	Ferrite Clamp
#	1	Pulse EKG Decal
#	1	45" TV Cable
#	1	65" TV Cable
#	3	Jack to Jack CAT5 Wire
#	1	36" TV CAT5 Wire
#	2	72" TV CAT5 Wire
#	1	Console Controller Assembly
#	1	10" Green/Yellow Wire
#	1	24" Green/Yellow Wire
#	2	8" 14AWG Green/Yellow Wire
#	2	8" 12AWG Green/Yellow Wire
#	1	7 & 8 Pin Wire Harness
#	1	8" 12AWG Black Wire
#	1	4" 12AWG White Wire
#	1	6" 14AWG Black Wire
#	1	5" 14AWG Blue Wire
#	1	Lift Motor Wire
#	1	4" 14AWG Red Wire
#	1	4" 14AWG Black Wire
#	1	4" 14AWG White Wire
#	1	26" 14AWG Blue Wire
#	1	16" 14AWG Blue Wire
#	1	6" 12AWG Blue Wire
#	1	6" 14AWG White Wire
#	1	14/14 Blue Wire
#	1	14/14 White Wire
#	1	12/18 Blue Wire
#	1	12/18 White Wire
#	1	7" Filter Wire
#	1	Console Adapter
#	1	14WG Wire M/R
#	1	12" Wire Harness
#	1	Mov Circuit Board

These parts are not illustrated
Specifications are subject to change without notice.

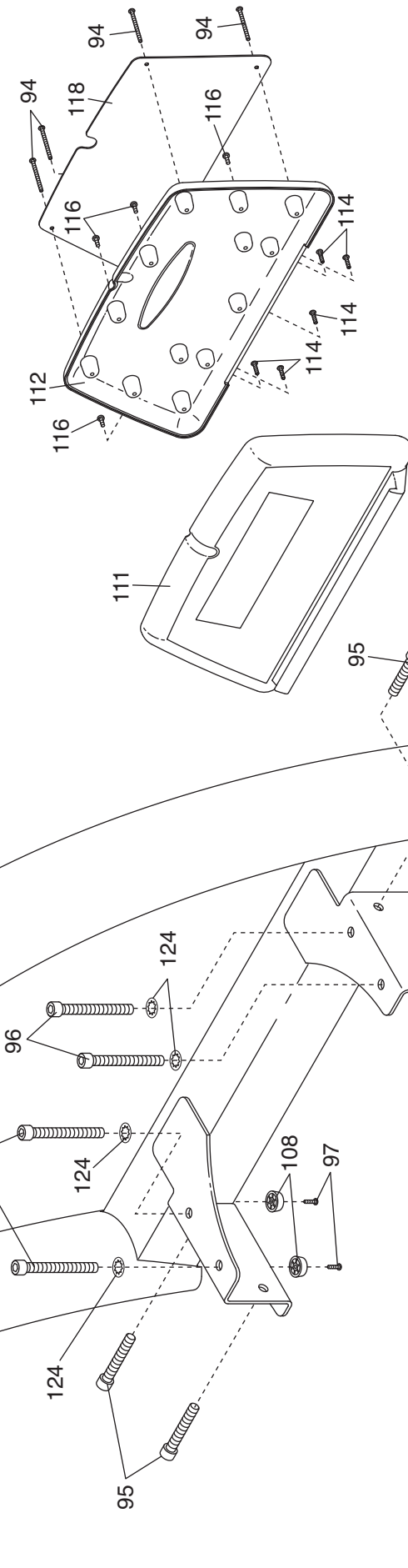
EXPLODED DRAWING-FMTL8257P-ISP.0/FMTL8507P-ISP.0 R0507A







TV CONSOLE



BASIC CONSOLE

