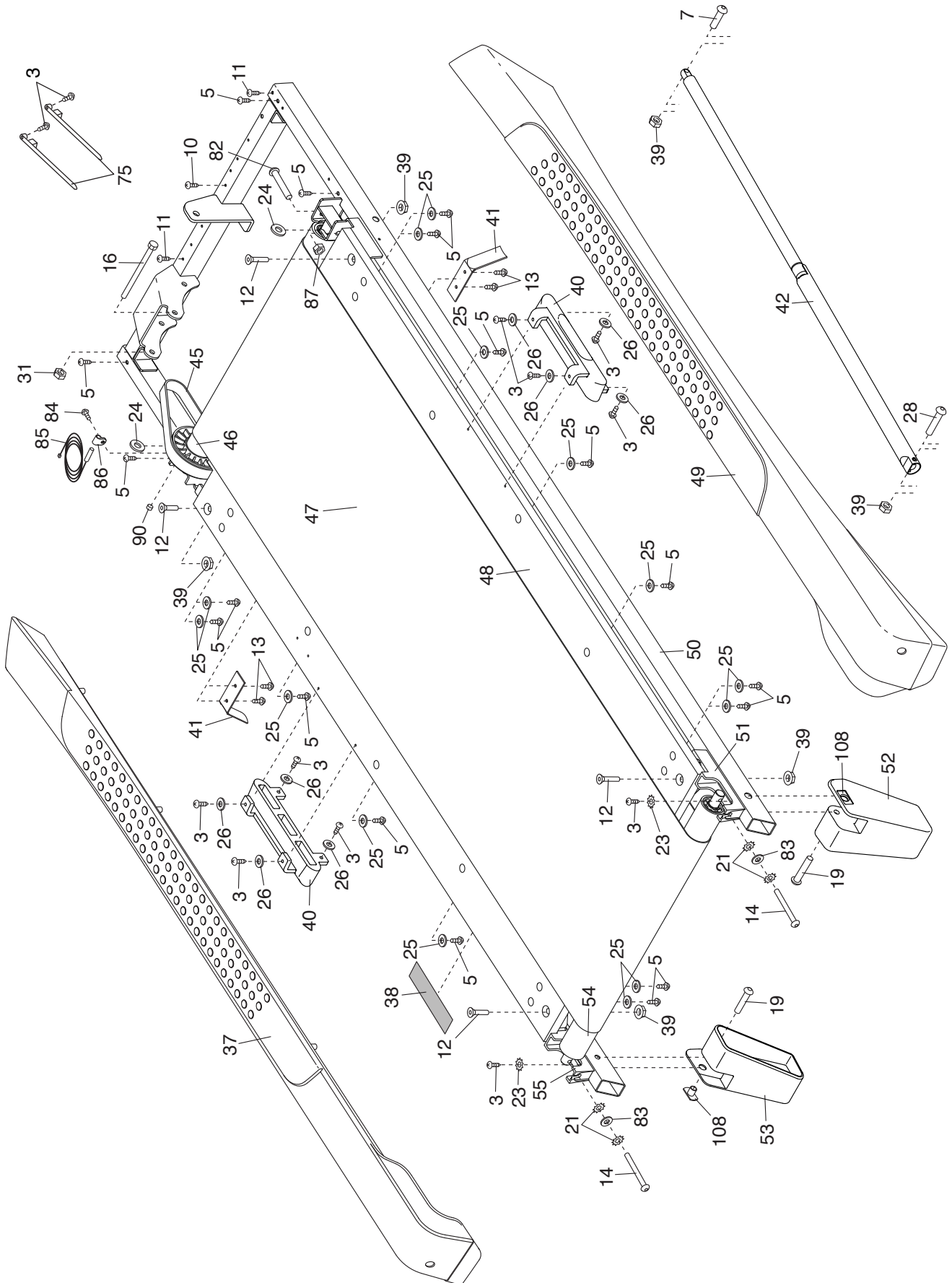


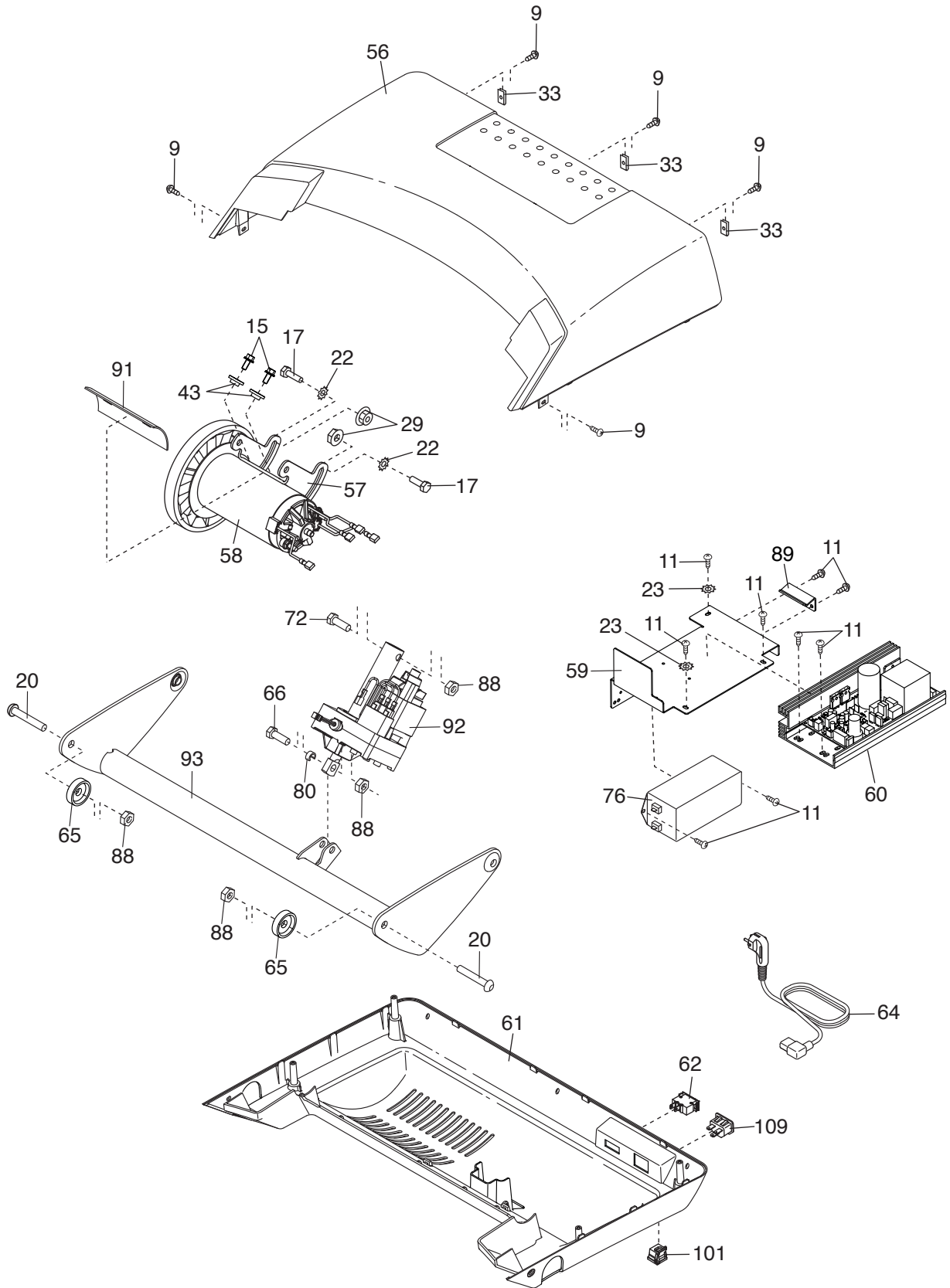
EXPLODED DRAWING A

Model No. GETL60715.1 R0215A



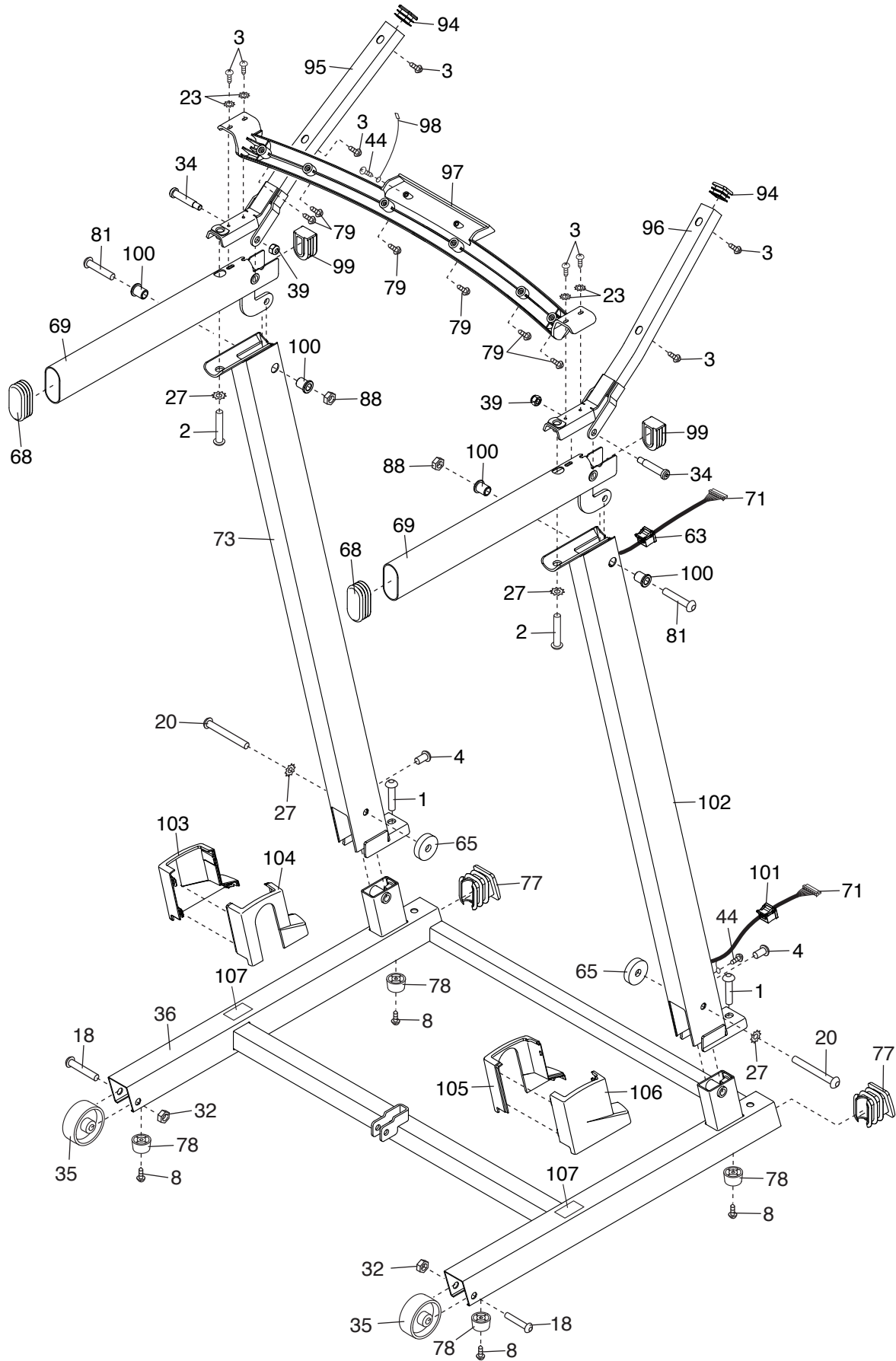
EXPLODED DRAWING B

Model No. GETL60715.1 R0215A



EXPLODED DRAWING C

Model No. GETL60715.1 R0215A



EXPLODED DRAWING D

Model No. GETL60715.1 R0215A

