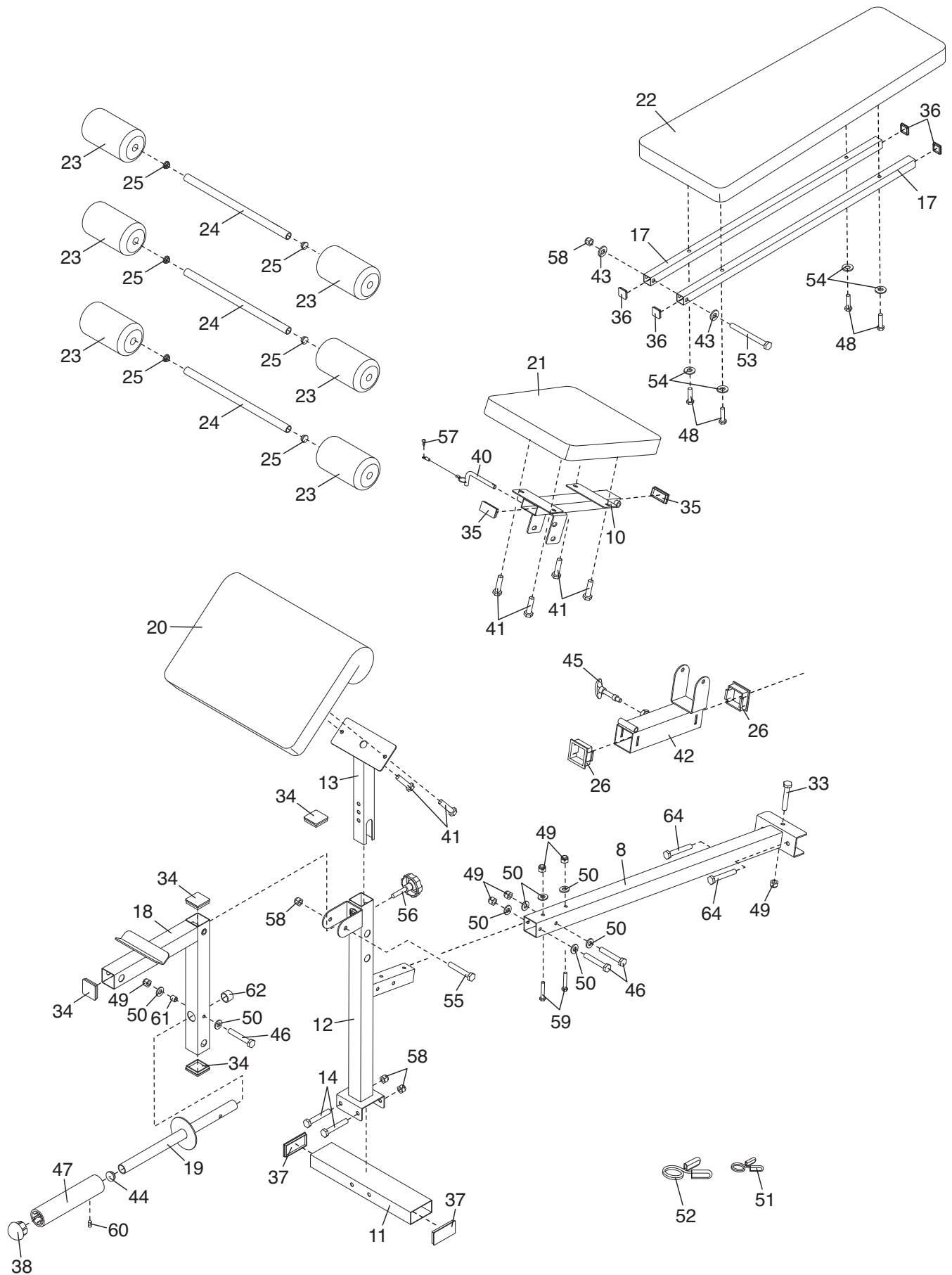


EXPLODED DRAWING A—Model No. GGBE1285.0

R0605A



EXPLODED DRAWING B—Model No. GGBE1285.0

R0605A

