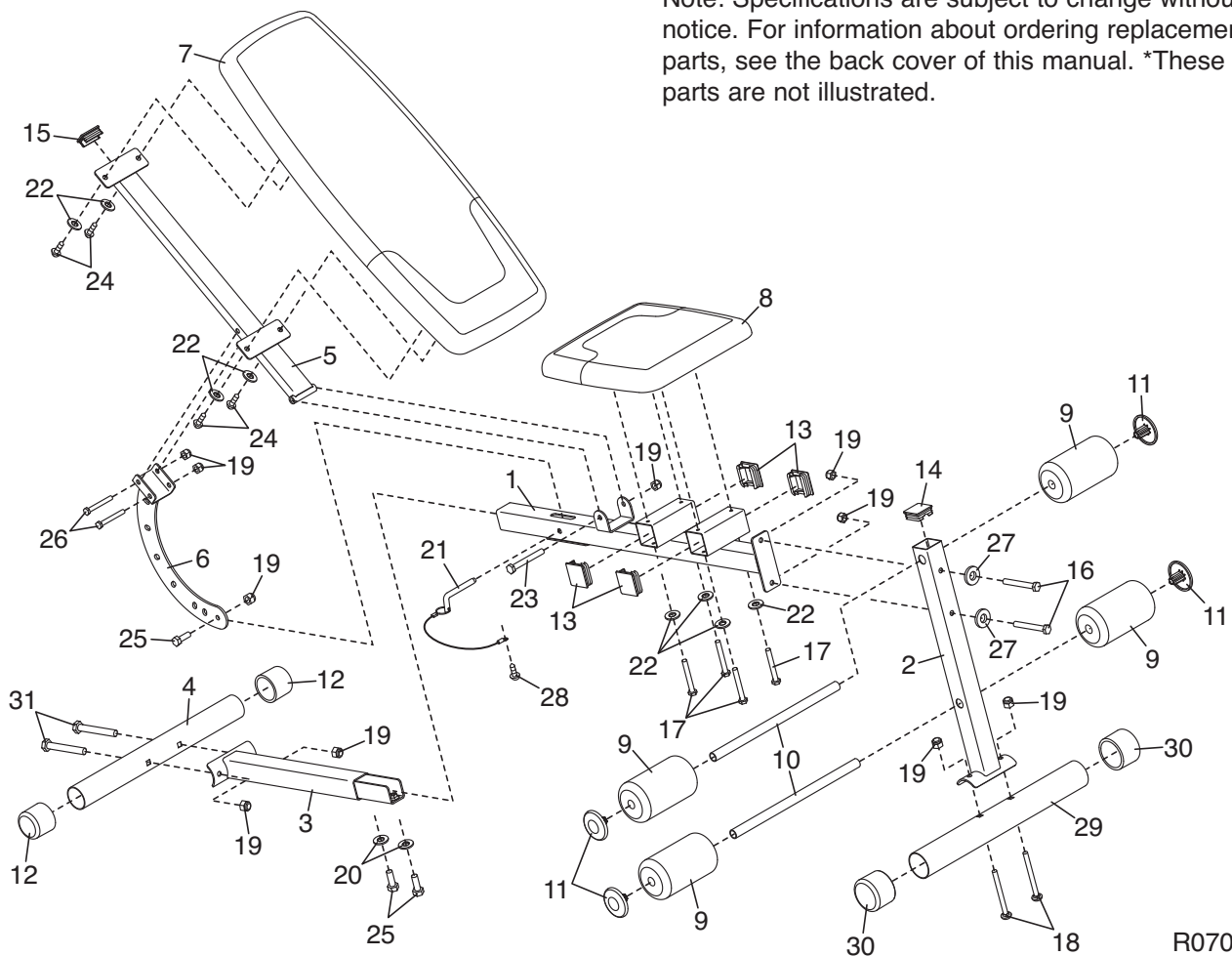


# PART LIST/EXPLODED DRAWING—Model No. GGBE4869.0

Key No.	Qty.	Description	Key No.	Qty.	Description
1	1	Frame	18	2	M10 x 73mm Carriage Bolt
2	1	Front Leg	19	10	M10 Locknut
3	1	Rear Leg	20	2	M10 Washer
4	1	Rear Stabilizer	21	1	Locking Pin
5	1	Backrest Frame	22	8	M6 Washer
6	1	Pivot Bracket	23	1	M10 x 85mm Bolt
7	1	Backrest	24	4	M6 x 16mm Screw
8	1	Seat	25	3	M10 x 20mm Bolt
9	4	Foam Pad	26	2	M10 x 70mm Bolt
10	2	Pad Tube	27	2	M10 Large Washer
11	4	Pad Cap	28	1	M4 x 16mm Screw
12	2	50mm Round Outer Cap	29	1	Front Stabilizer
13	4	50mm Square Inner Cap	30	2	60mm Round Outer Cap
14	1	45mm Square Inner Cap	31	2	M10 x 63mm Carriage Bolt
15	1	25mm x 50mm Inner Cap	*	—	User's Manual
16	2	M10 x 63mm Bolt	*	—	Exercise Guide
17	4	M6 x 60mm Bolt	*	—	Grease Packet

Note: Specifications are subject to change without notice. For information about ordering replacement parts, see the back cover of this manual. \*These parts are not illustrated.



R0709A