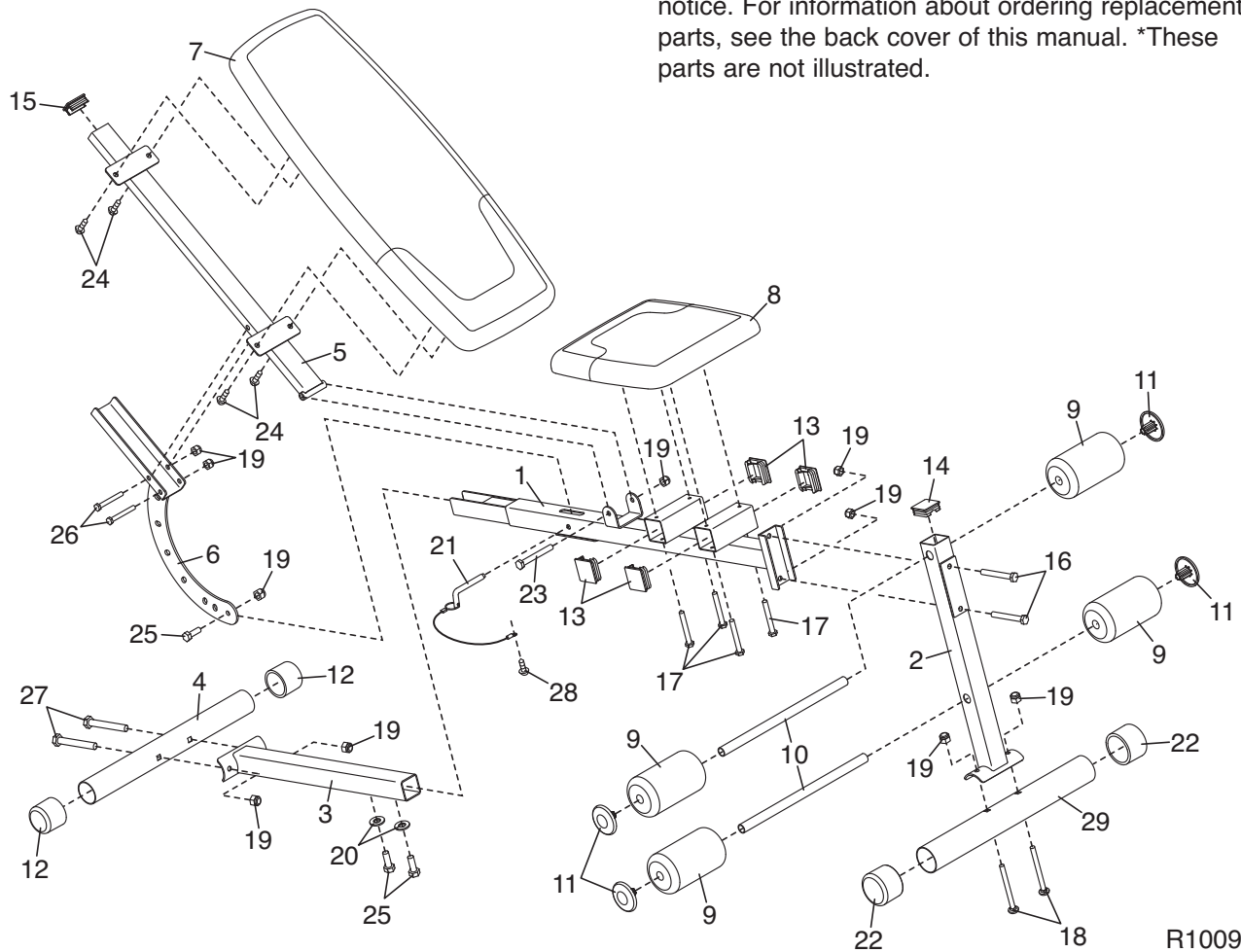


PART LIST/EXPLODED DRAWING—Model No. GGBE4869.2

Key No.	Qty.	Description	Key No.	Qty.	Description
1	1	Frame	18	2	M10 x 73mm Carriage Bolt
2	1	Front Leg	19	10	M10 Locknut
3	1	Rear Leg	20	2	M10 Washer
4	1	Rear Stabilizer	21	1	Locking Pin
5	1	Backrest Frame	22	2	60mm Round Outer Cap
6	1	Pivot Bracket	23	1	M10 x 80mm Bolt
7	1	Backrest	24	4	M6 x 16mm Screw
8	1	Seat	25	3	M10 x 20mm Bolt
9	4	Foam Pad	26	2	M10 x 70mm Bolt
10	2	Pad Tube	27	2	M10 x 63mm Carriage Bolt
11	4	Pad Cap	28	1	M4 x 16mm Screw
12	2	50mm Round Outer Cap	29	1	Front Stabilizer
13	4	50mm Square Inner Cap	*	—	Assembly Tool
14	1	45mm Square Inner Cap	*	—	User's Manual
15	1	25mm x 50mm Inner Cap	*	—	Exercise Guide
16	2	M10 x 63mm Bolt	*	—	Grease Packet
17	4	M6 x 60mm Screw			

Note: Specifications are subject to change without notice. For information about ordering replacement parts, see the back cover of this manual. *These parts are not illustrated.



R1009A