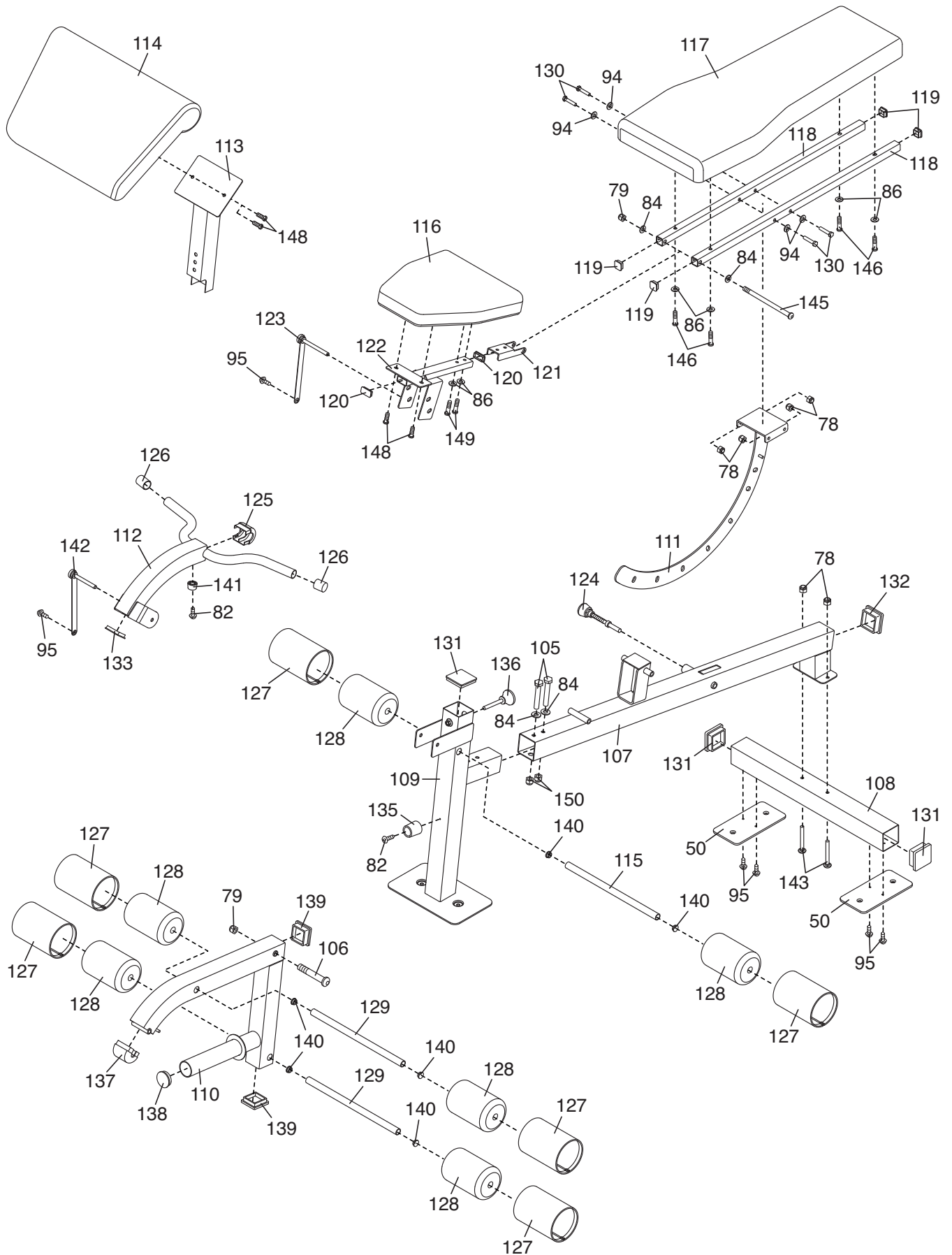


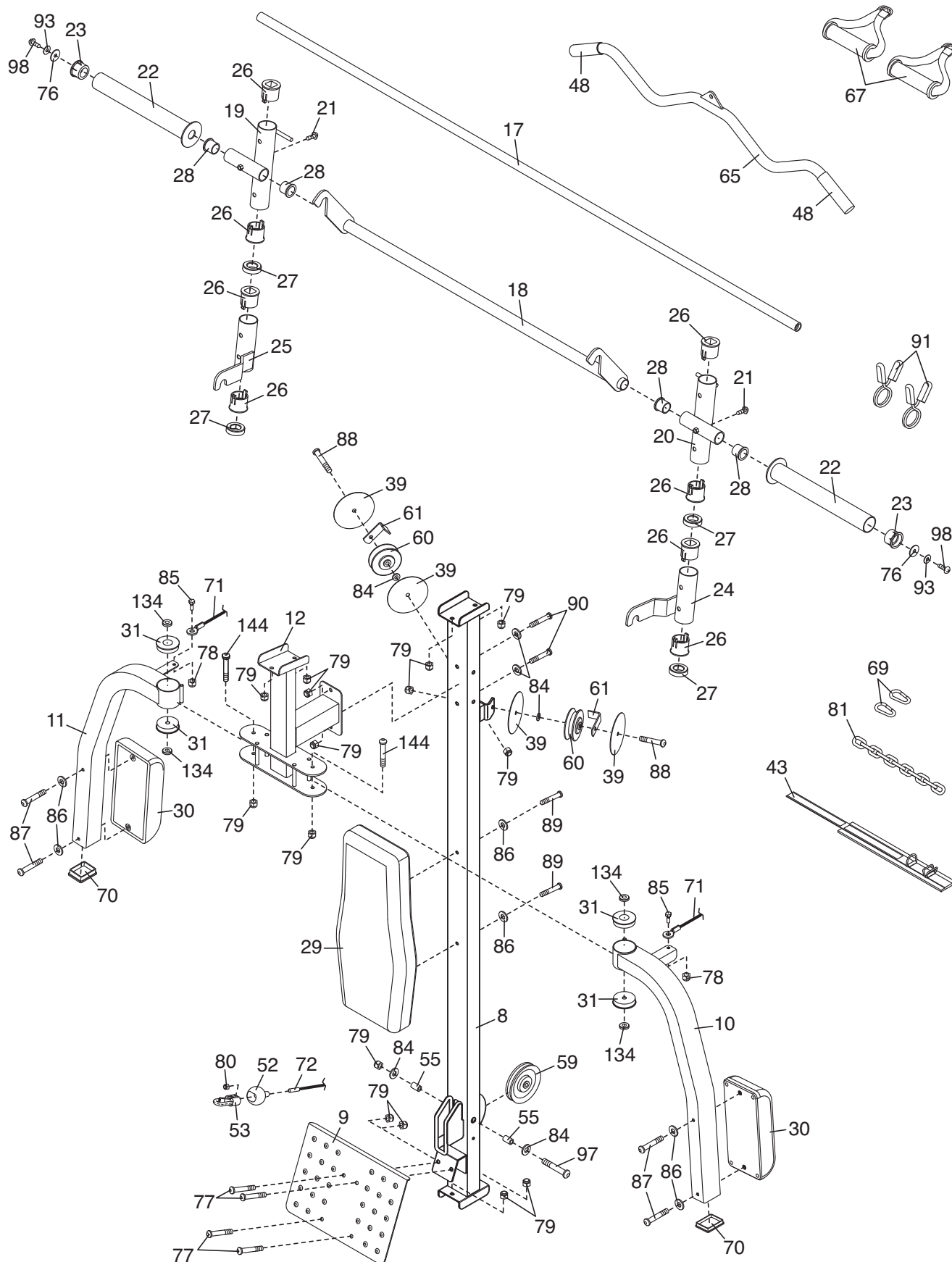
# EXPLODED DRAWING A—Model No. GGBE6958.1

R0810A



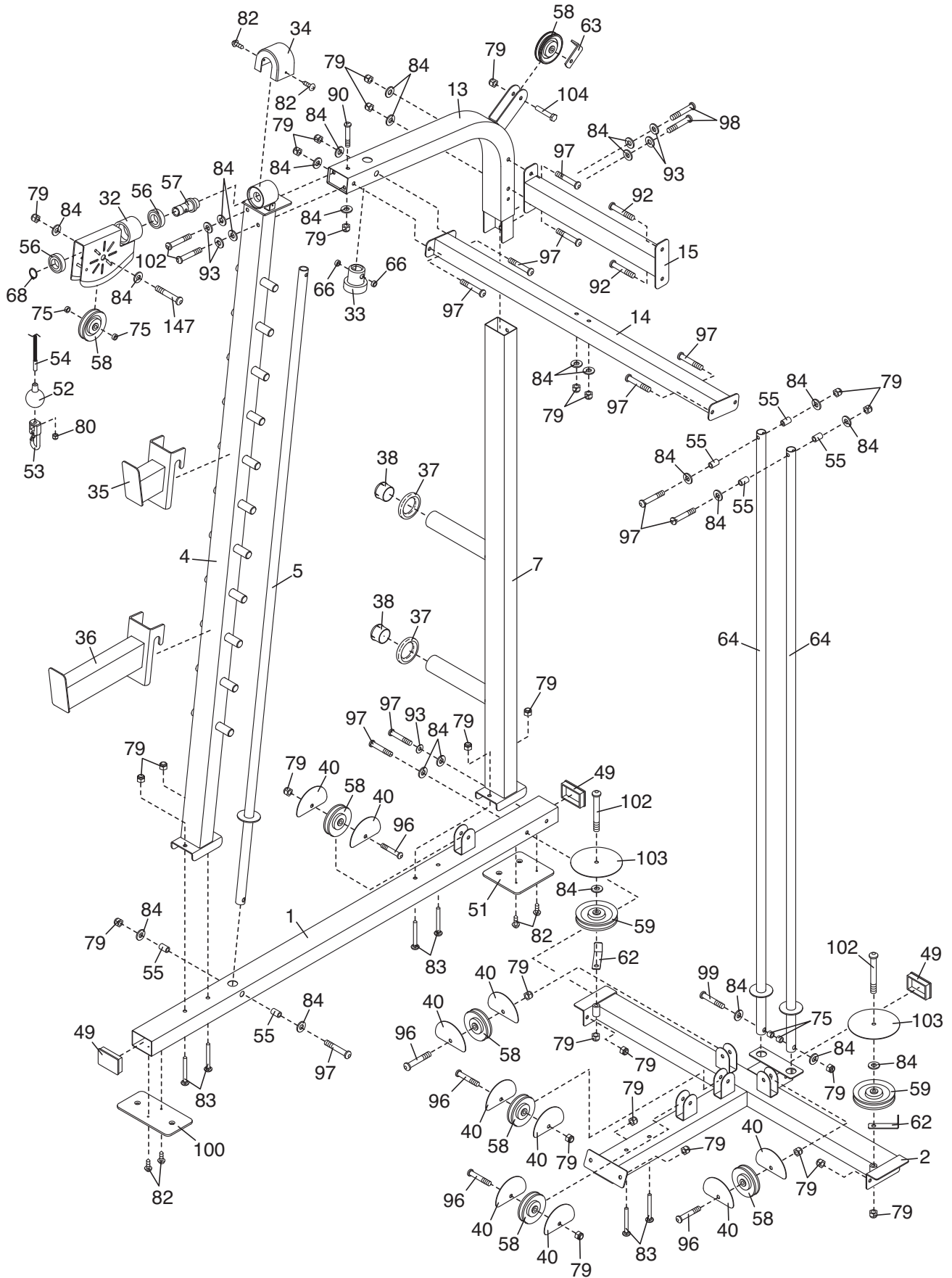
# EXPLODED DRAWING B—Model No. GGBE6958.1

R0810A



# EXPLODED DRAWING C—Model No. GGBE6958.1

R0810A



# EXPLODED DRAWING D—Model No. GGBE6958.1

R0810A

