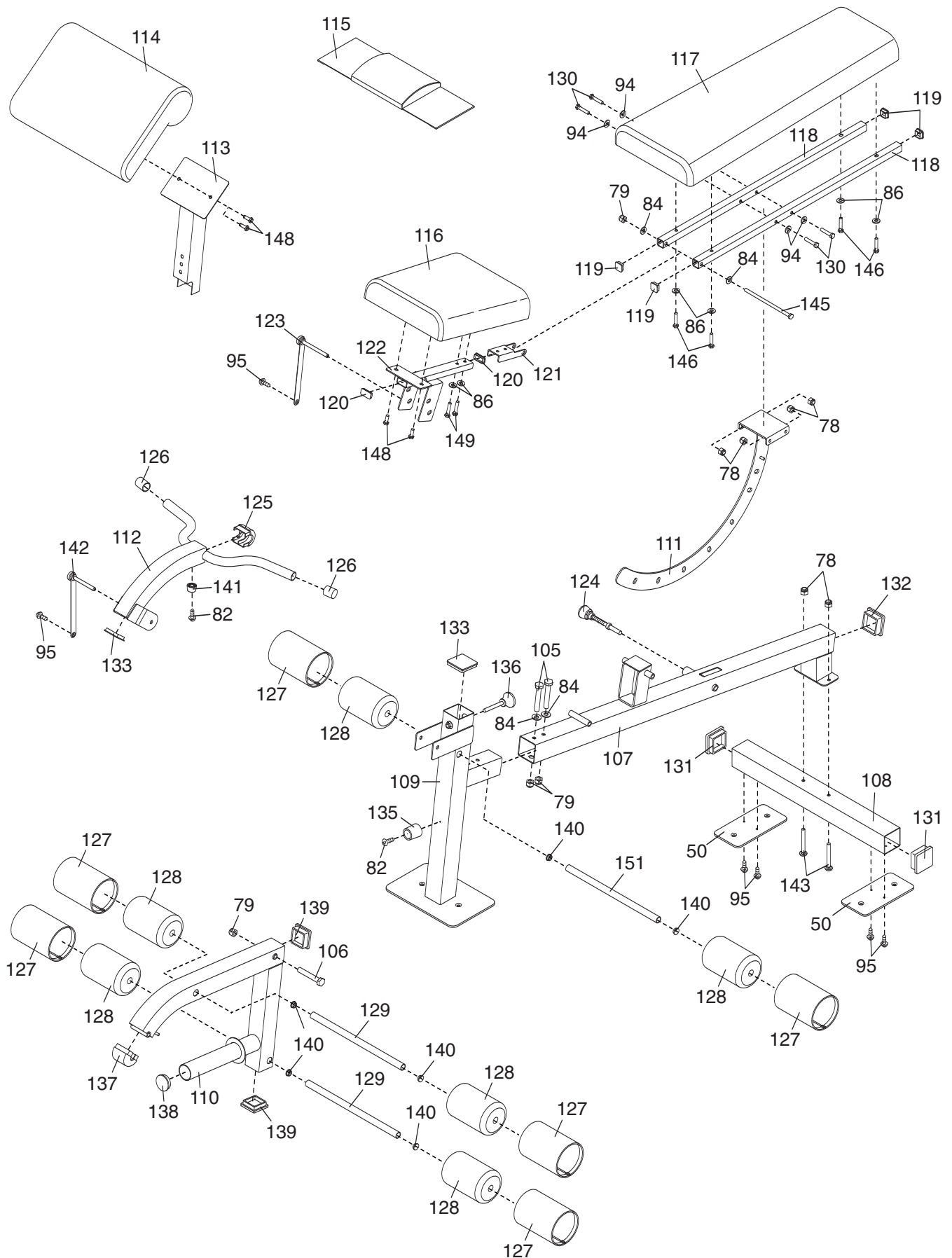


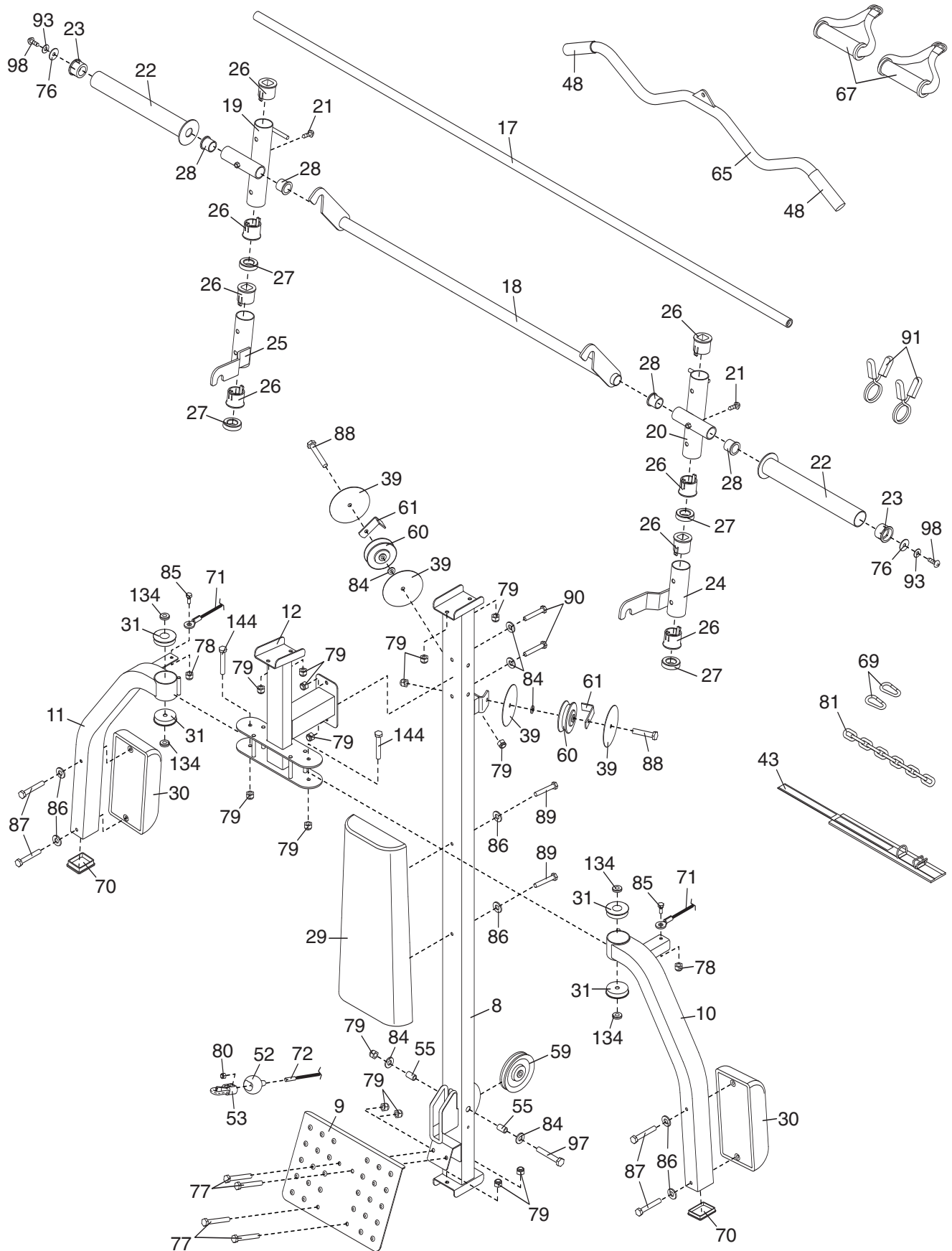
EXPLODED DRAWING A—Model No. GGBE6974.1

R1107A



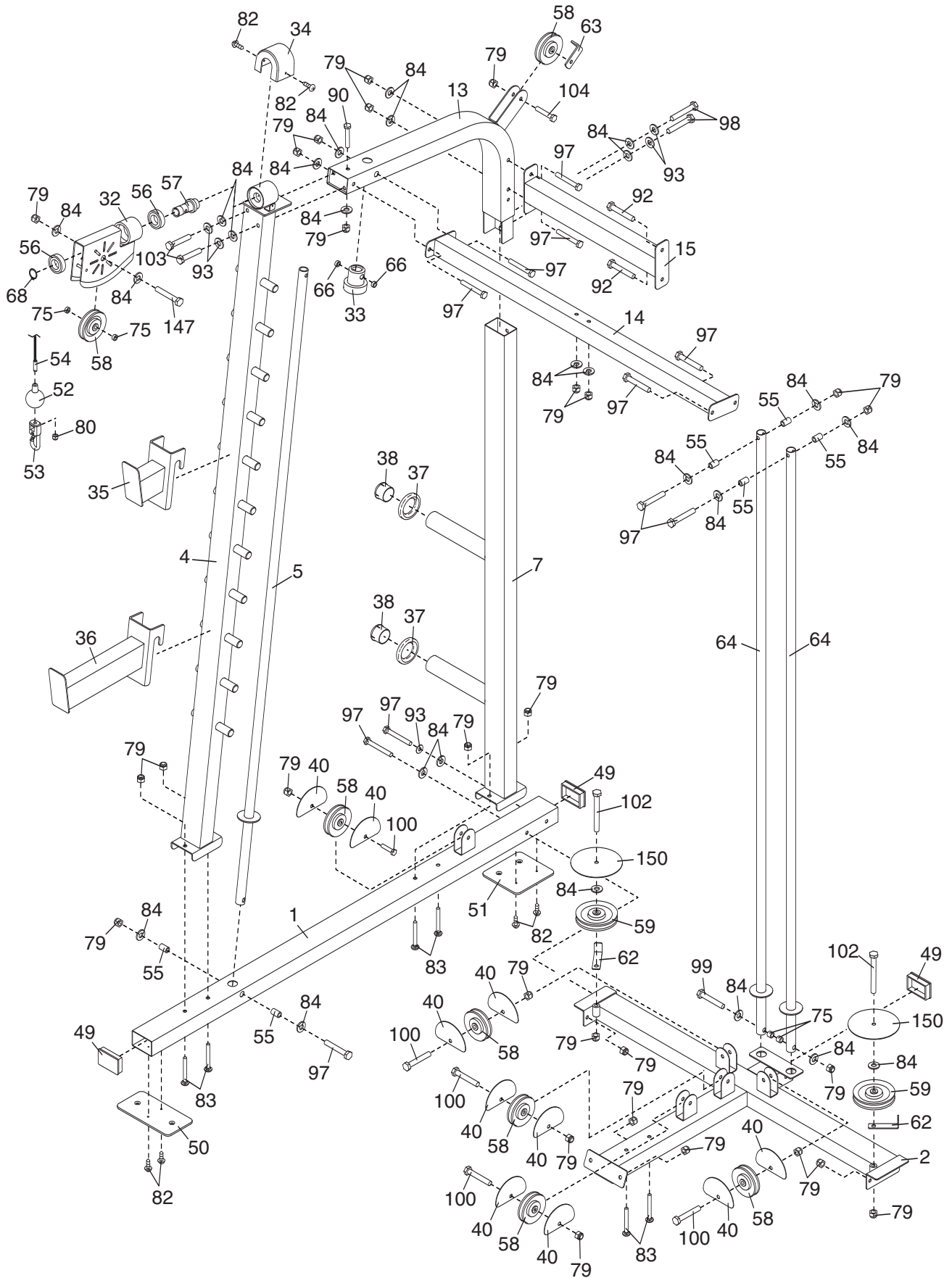
EXPLODED DRAWING B—Model No. GGBE6974.1

R1107A



EXPLODED DRAWING C—Model No. GGBE6974.1

R1107A



EXPLODED DRAWING D—Model No. GGBE6974.1

R1107A

