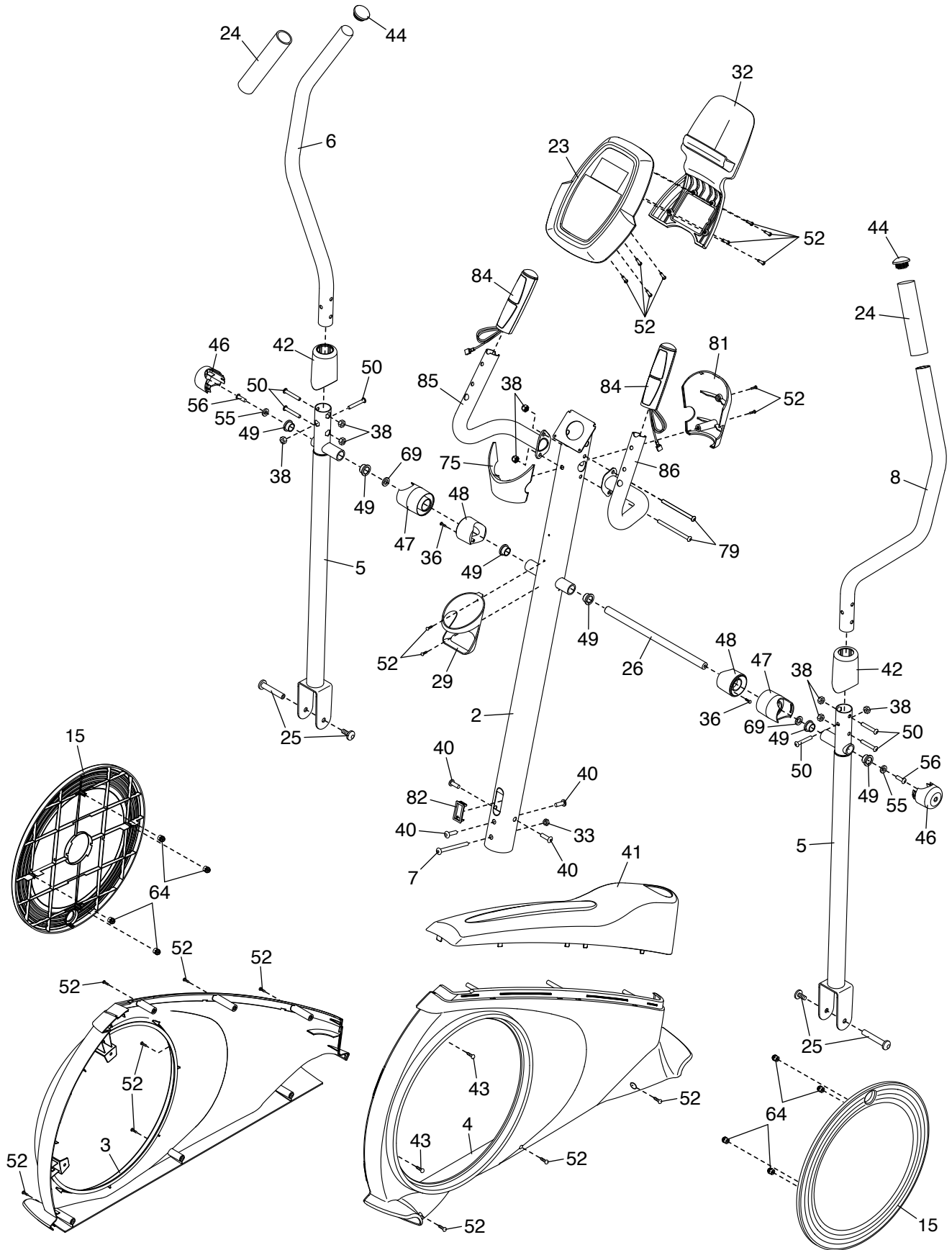


EXPLODED DRAWING A

Model No. GGCEEL62913.1 R0714A



EXPLODED DRAWING B

Model No. GGCEEL62913.1 R0714A

