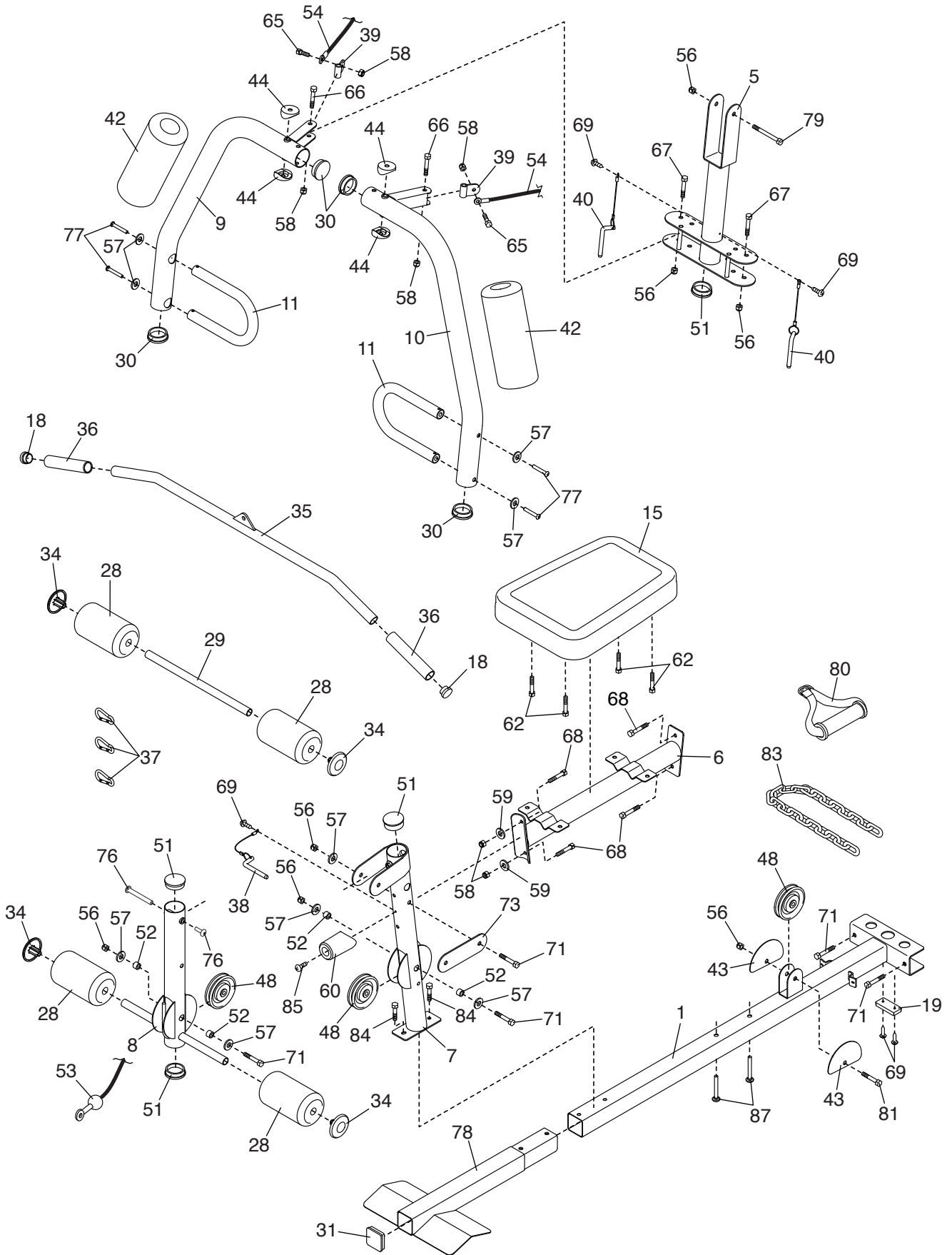


# EXPLODED DRAWING A

Model No. GGCCSY24613.0 R1016A



# EXPLODED DRAWING B

Model No. GGCCSY24613.0 R1016A

