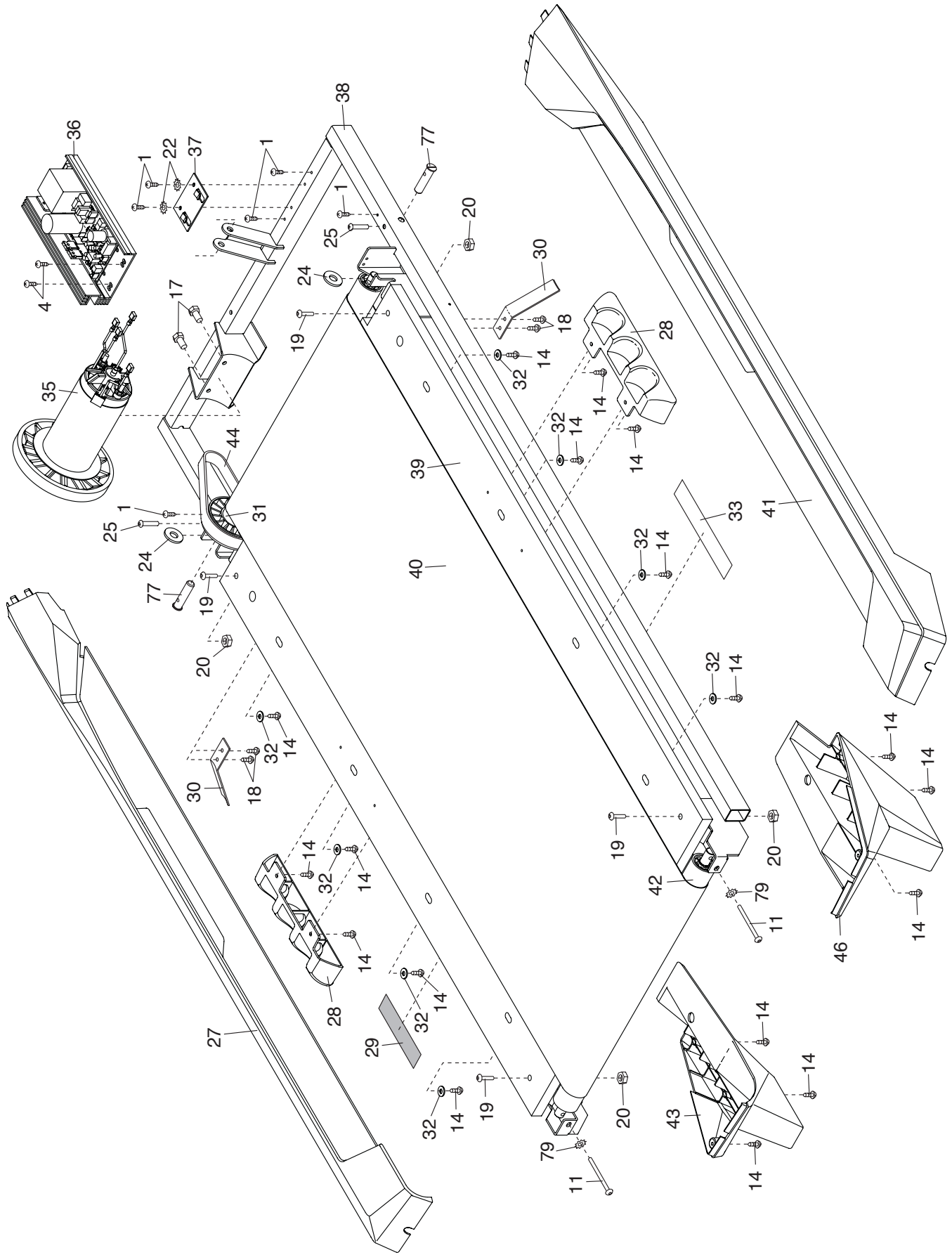


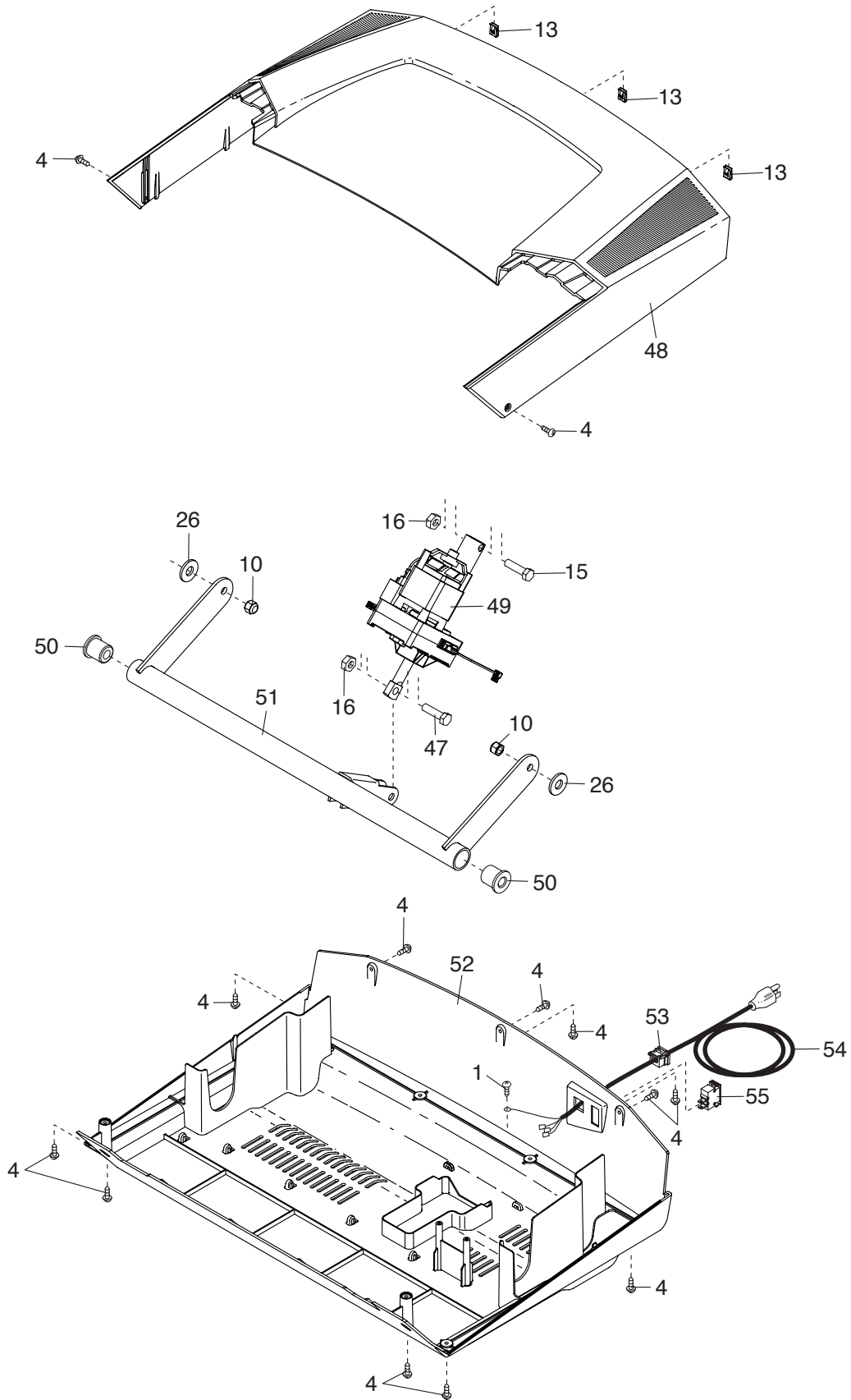
EXPLODED DRAWING A

Model No. GGCTL39611.2 R1112A



EXPLODED DRAWING B

Model No. GGCTL39611.2 R1112A



EXPLODED DRAWING C

Model No. GGCTL39611.2 R1112A

