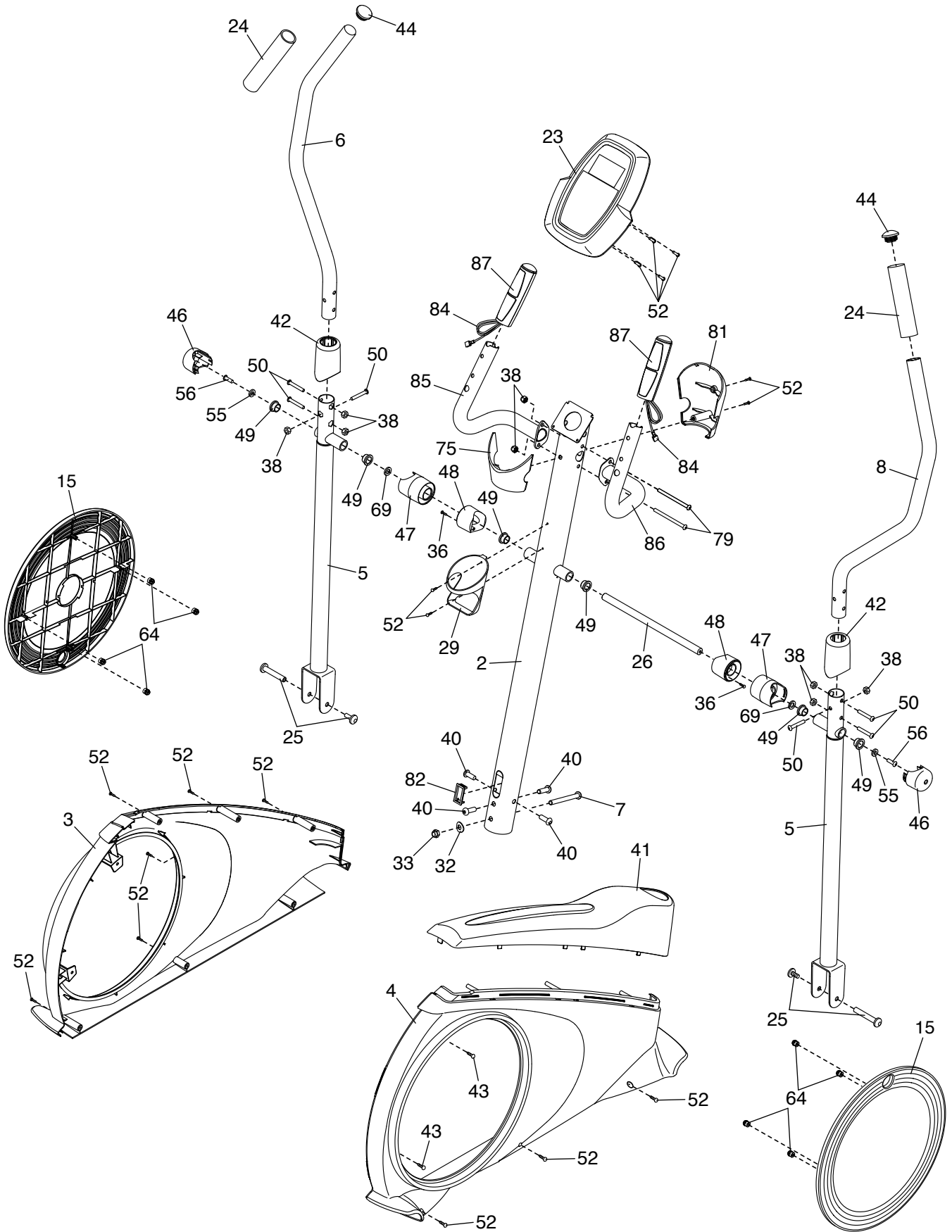


EXPLODED DRAWING A

Model No. GGEL62816.1 R1116B



EXPLODED DRAWING B

Model No. GGEL62816.1 R1116B

