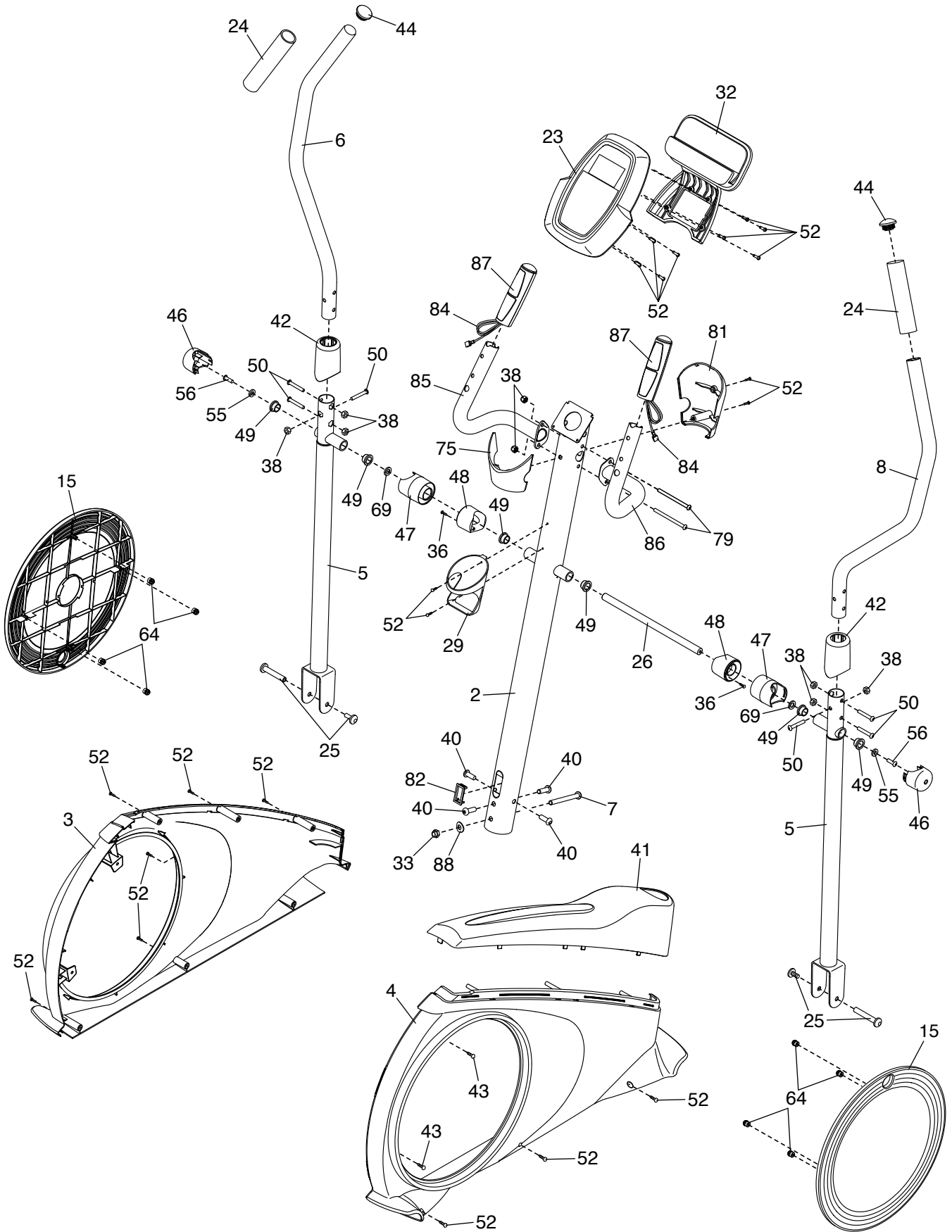


EXPLODED DRAWING A

Model No. GGEL62915.1 R0916A



EXPLODED DRAWING B

Model No. GGEL62915.1 R0916A

