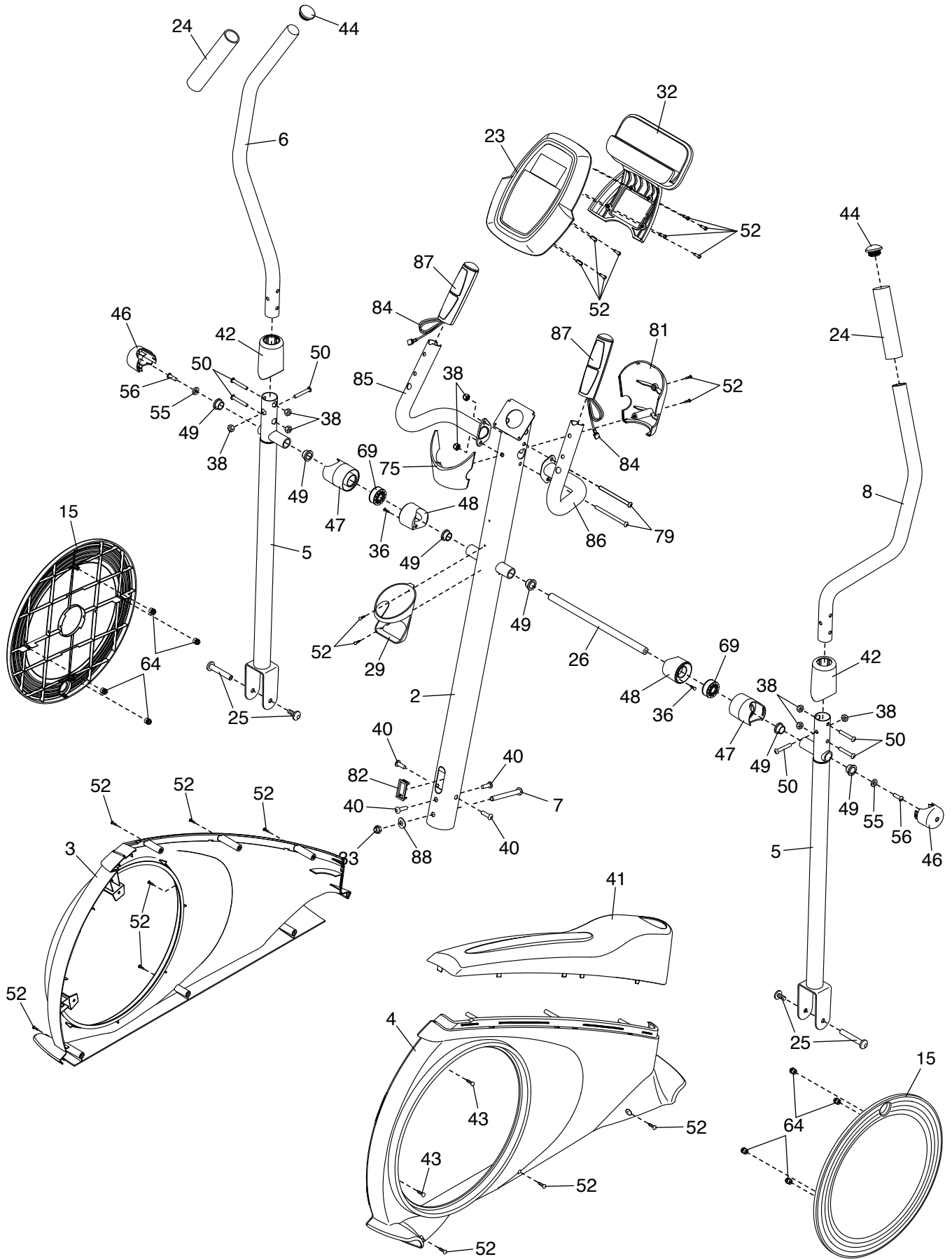


# EXPLODED DRAWING A

Model No. GGEL62915.4 R0617A



# EXPLODED DRAWING B

Model No. GGEL62915.4 R0617A

