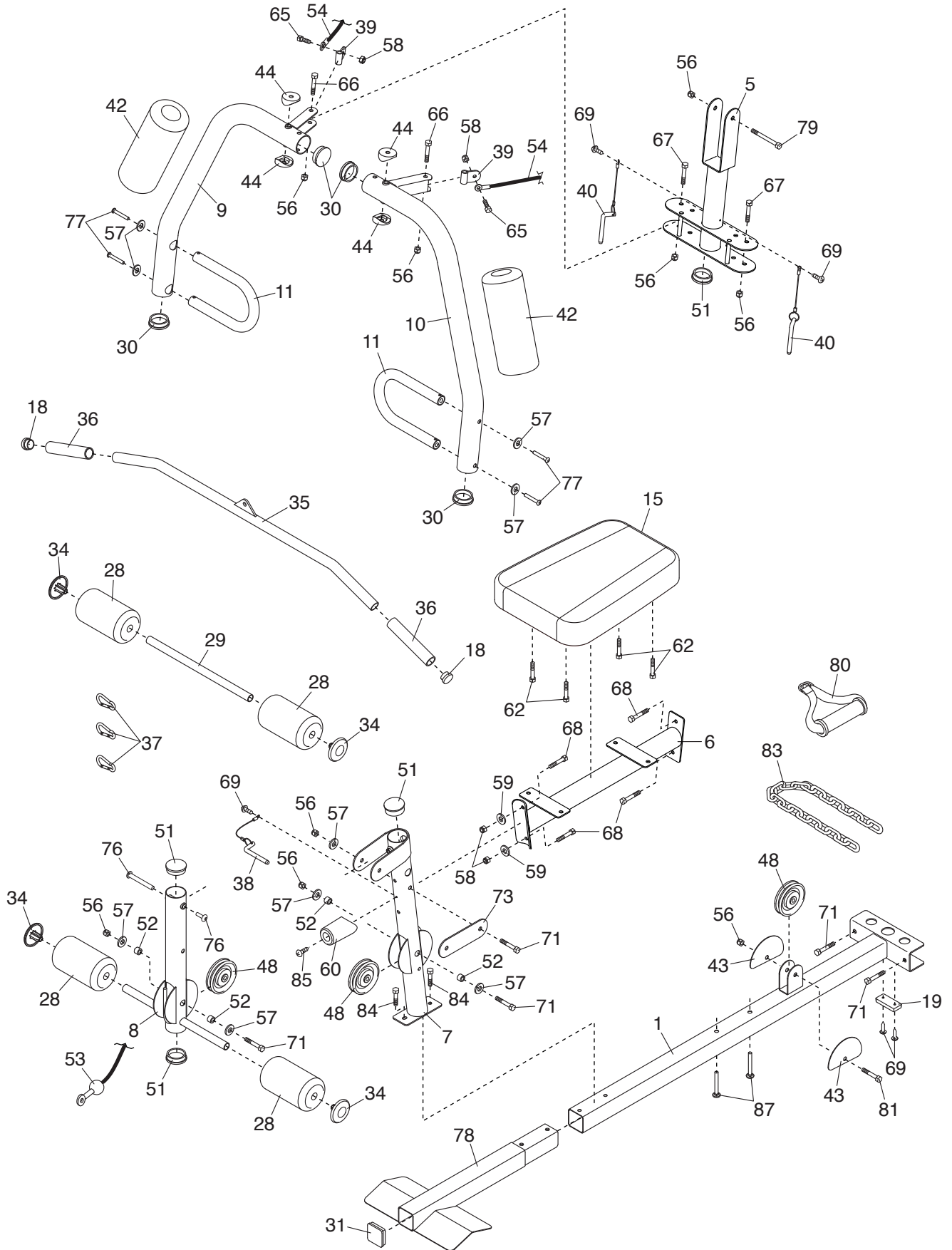


EXPLODED DRAWING A

Model No. GGSY20610C.0 R0714A



EXPLODED DRAWING B

Model No. GGSY20610C.0 R0714A

