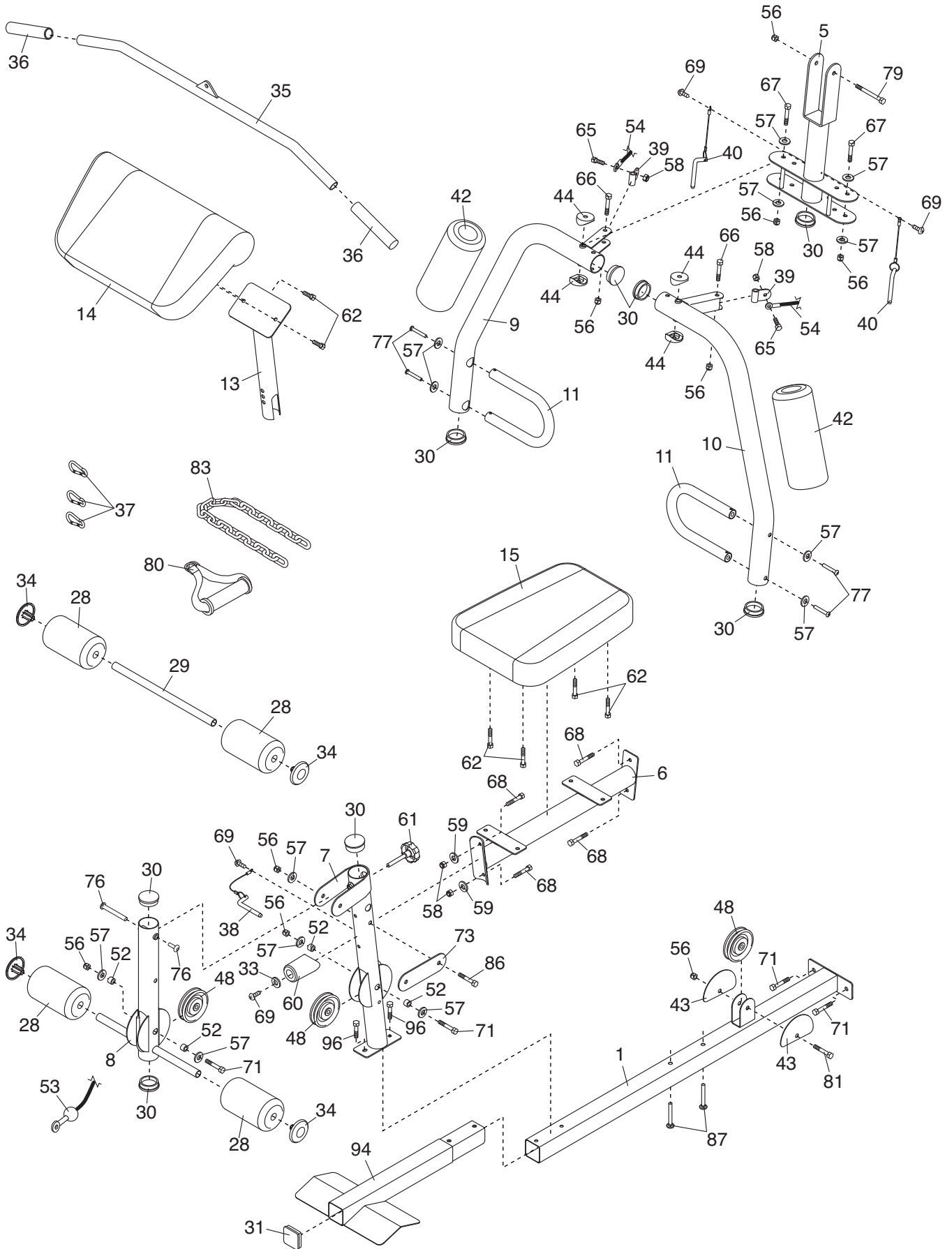


EXPLODED DRAWING A—Model No. GGSY2067.3

R0510A



EXPLODED DRAWING B—Model No. GGSY2067.3

R0510A

