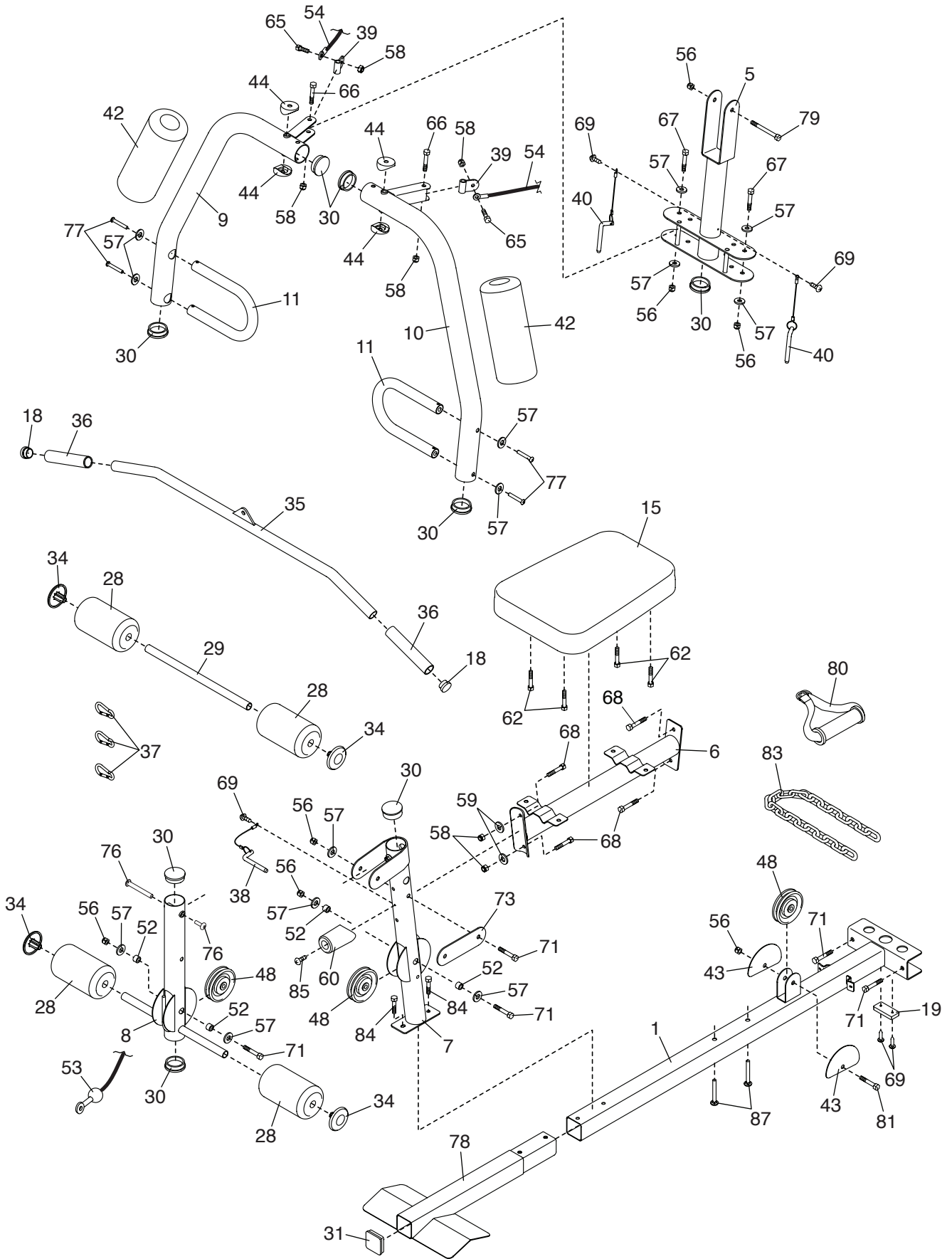


EXPLODED DRAWING A

Model No. GGSY24613.1 R0713A



EXPLODED DRAWING B

Model No. GGSY24613.1 R0713A

