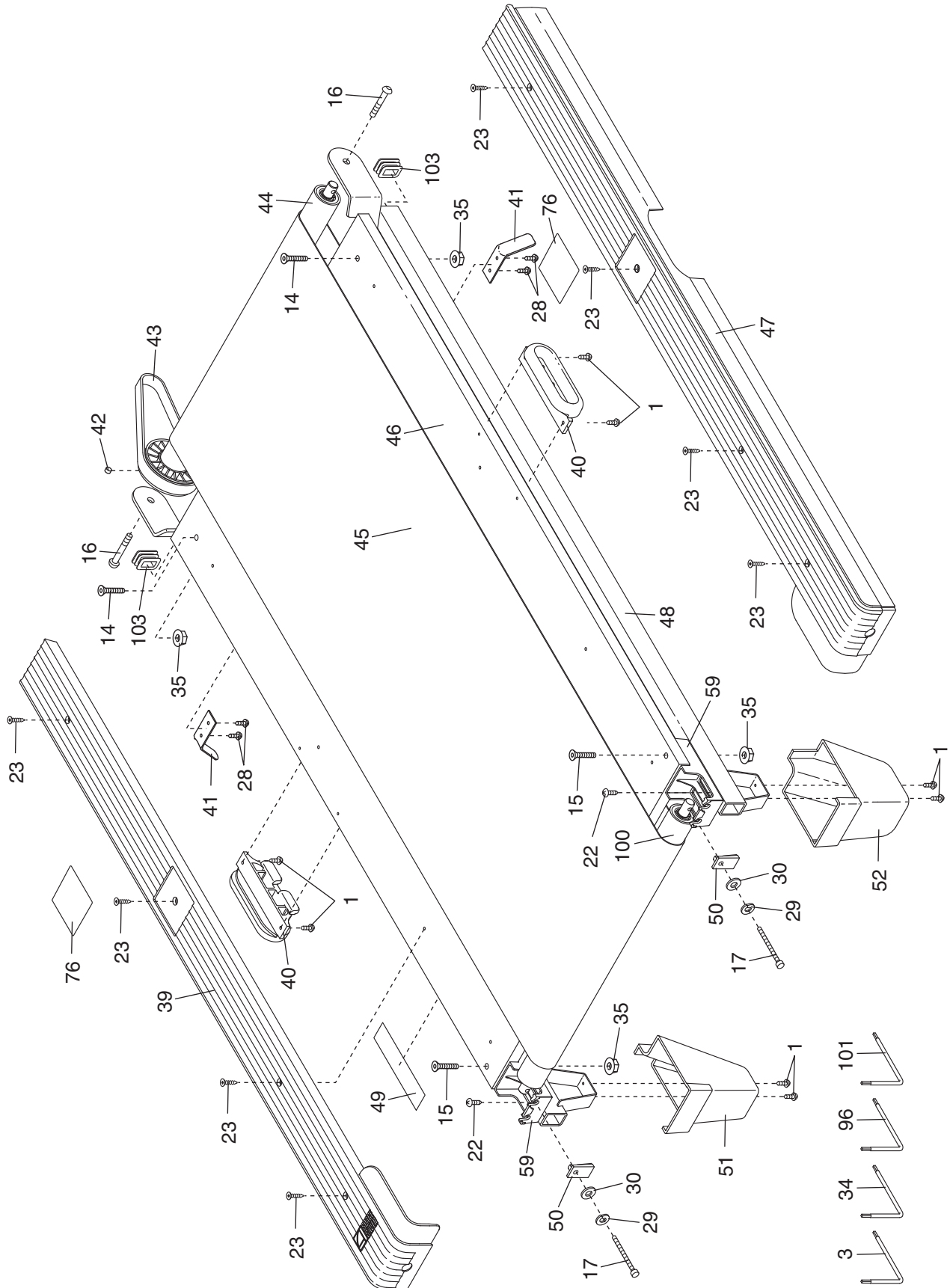


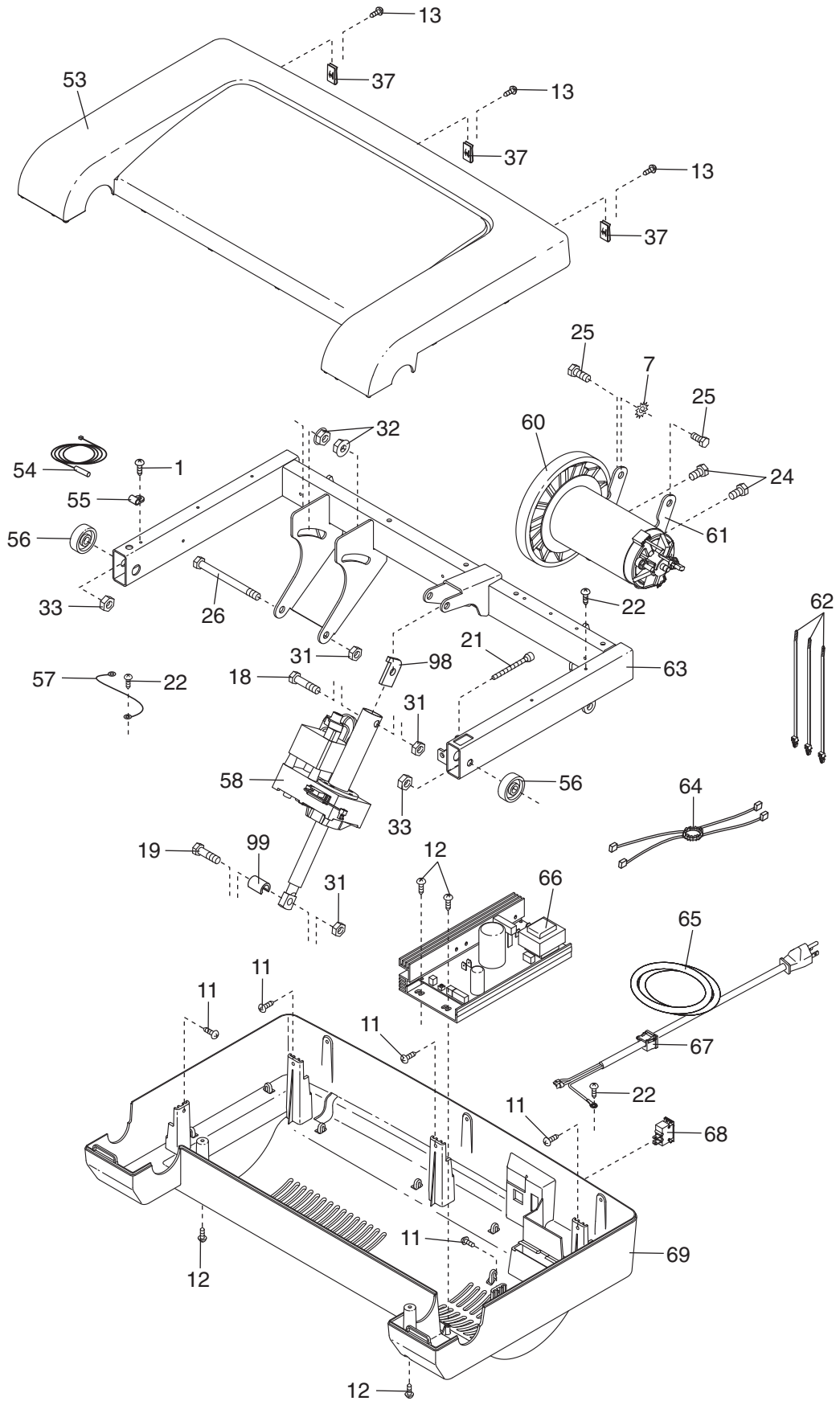
EXPLODED DRAWING A—Model No. GGTL03607.0

R0208A



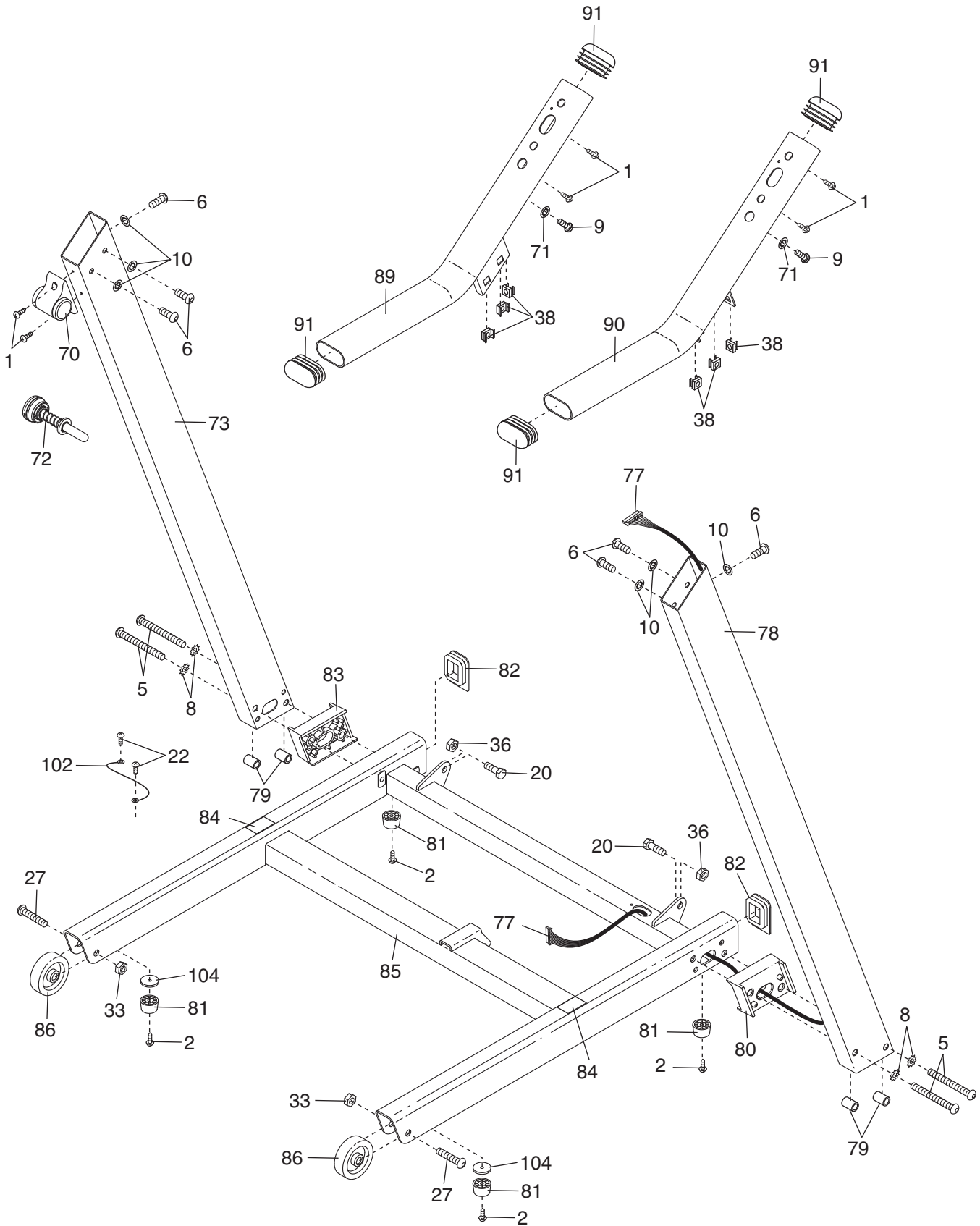
EXPLODED DRAWING B—Model No. GGTL03607.0

R0208A



EXPLODED DRAWING C—Model No. GGTL03607.0

R0208A



EXPLODED DRAWING D—Model No. GGTL03607.0

R0208A

