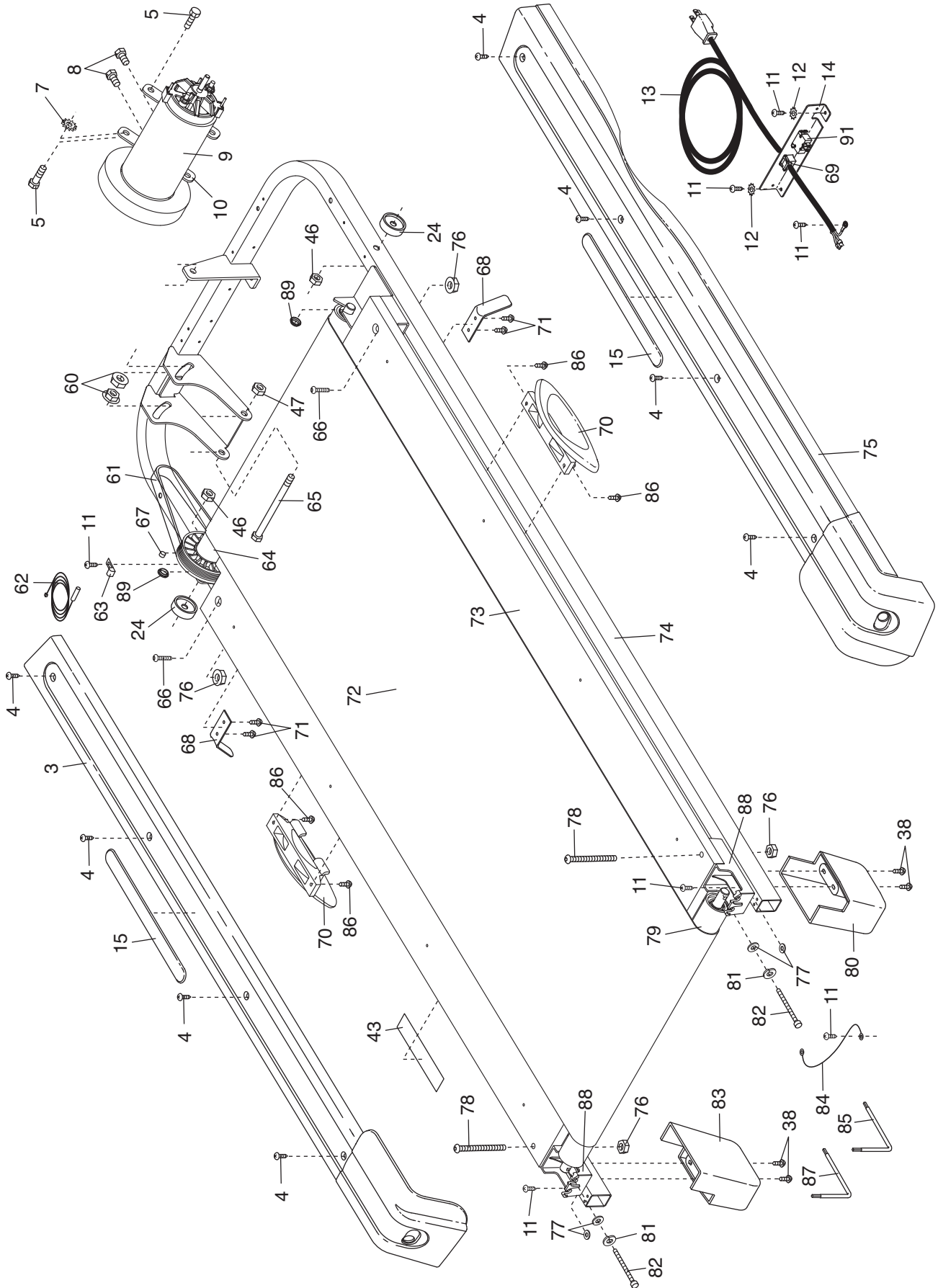


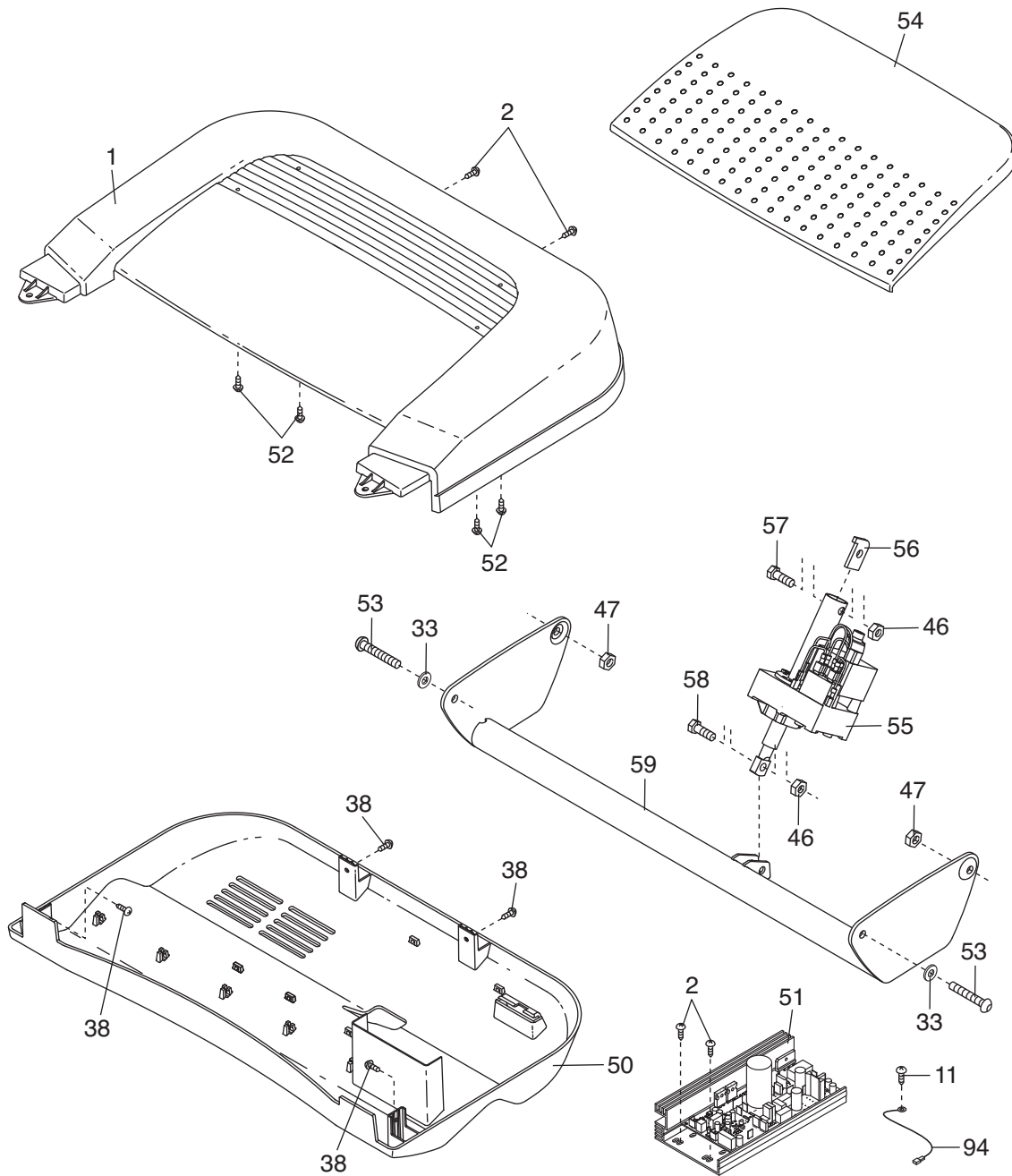
EXPLODED DRAWING A—Model No. GGTL04607.3

R0509A



EXPLODED DRAWING B—Model No. GGTL04607.3

R0509A



EXPLODED DRAWING D—Model No. GGTL04607.3

R0509A

