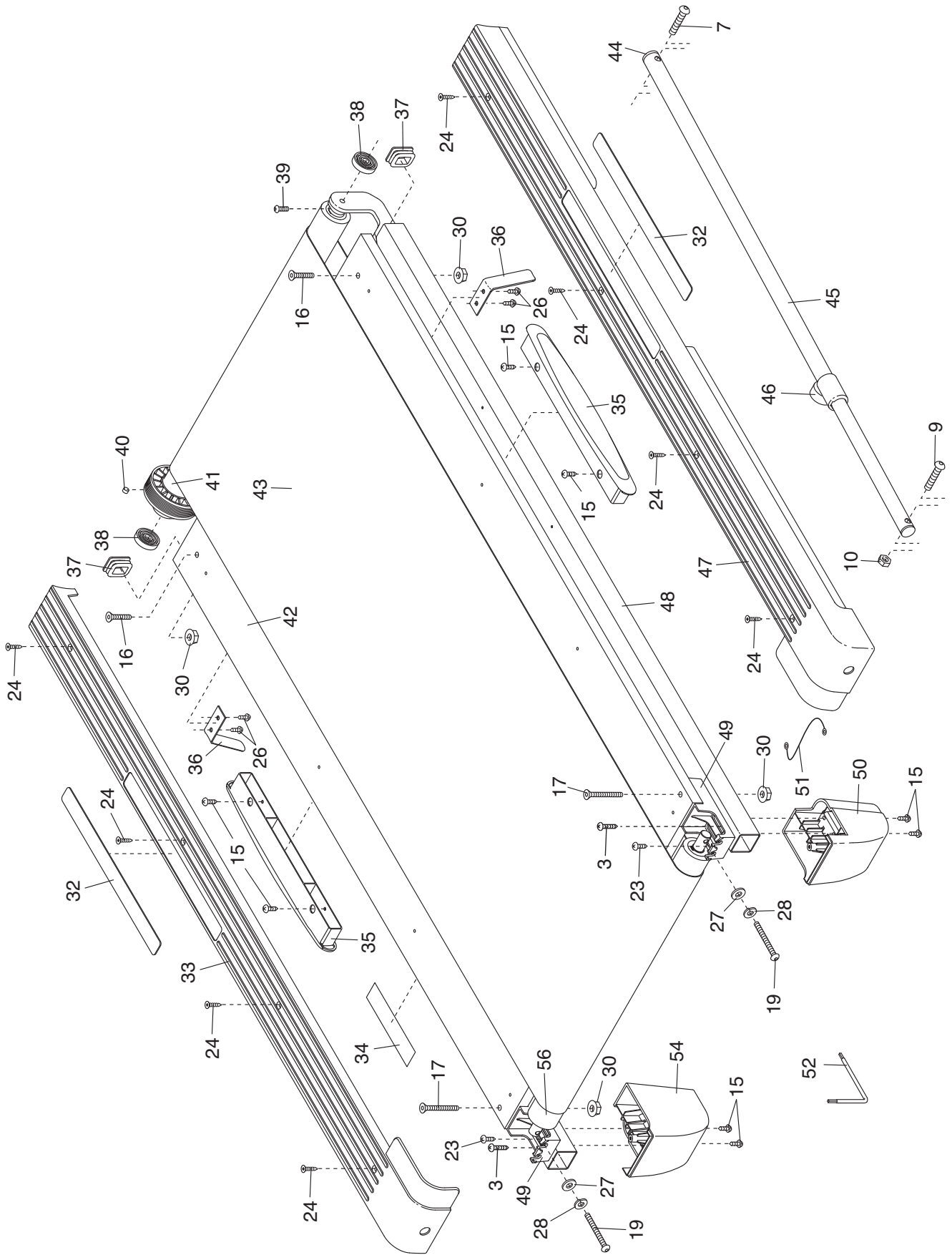


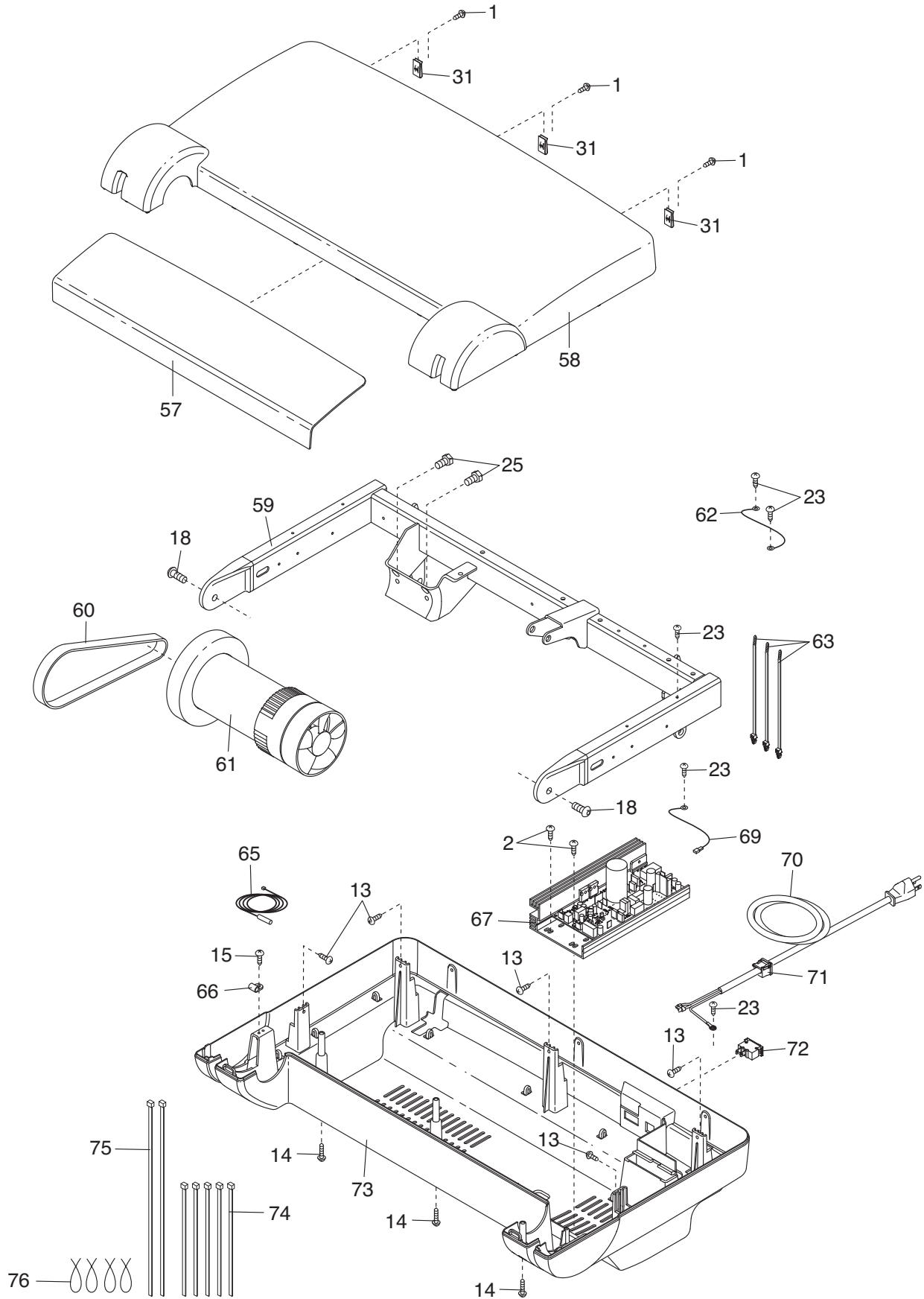
# EXPLODED DRAWING A—Model No. GGTL07819.0

R0809A



# EXPLODED DRAWING B—Model No. GGTL07819.0

R0809A





# EXPLODED DRAWING D—Model No. GGTL07819.0

R0809A

