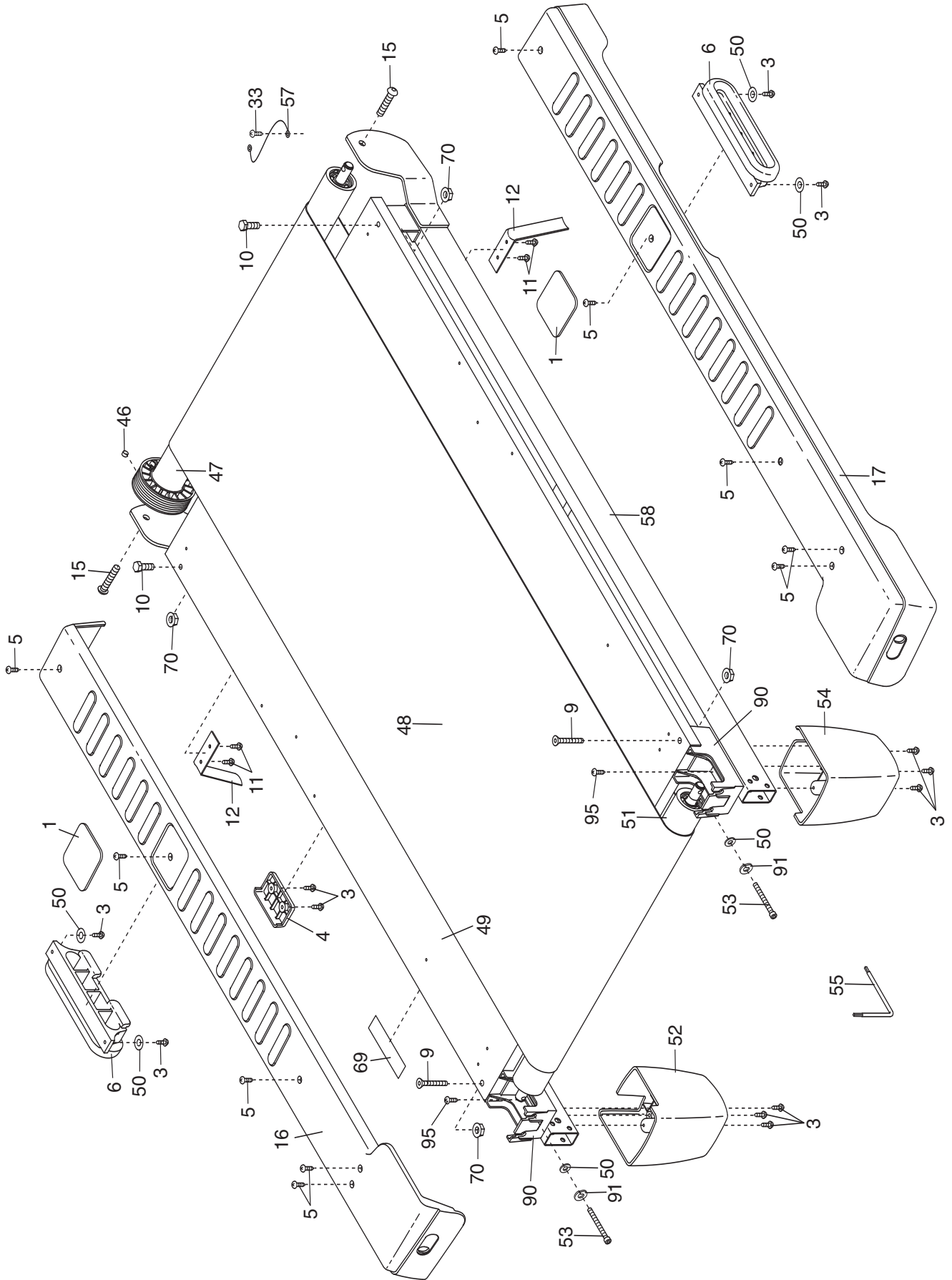


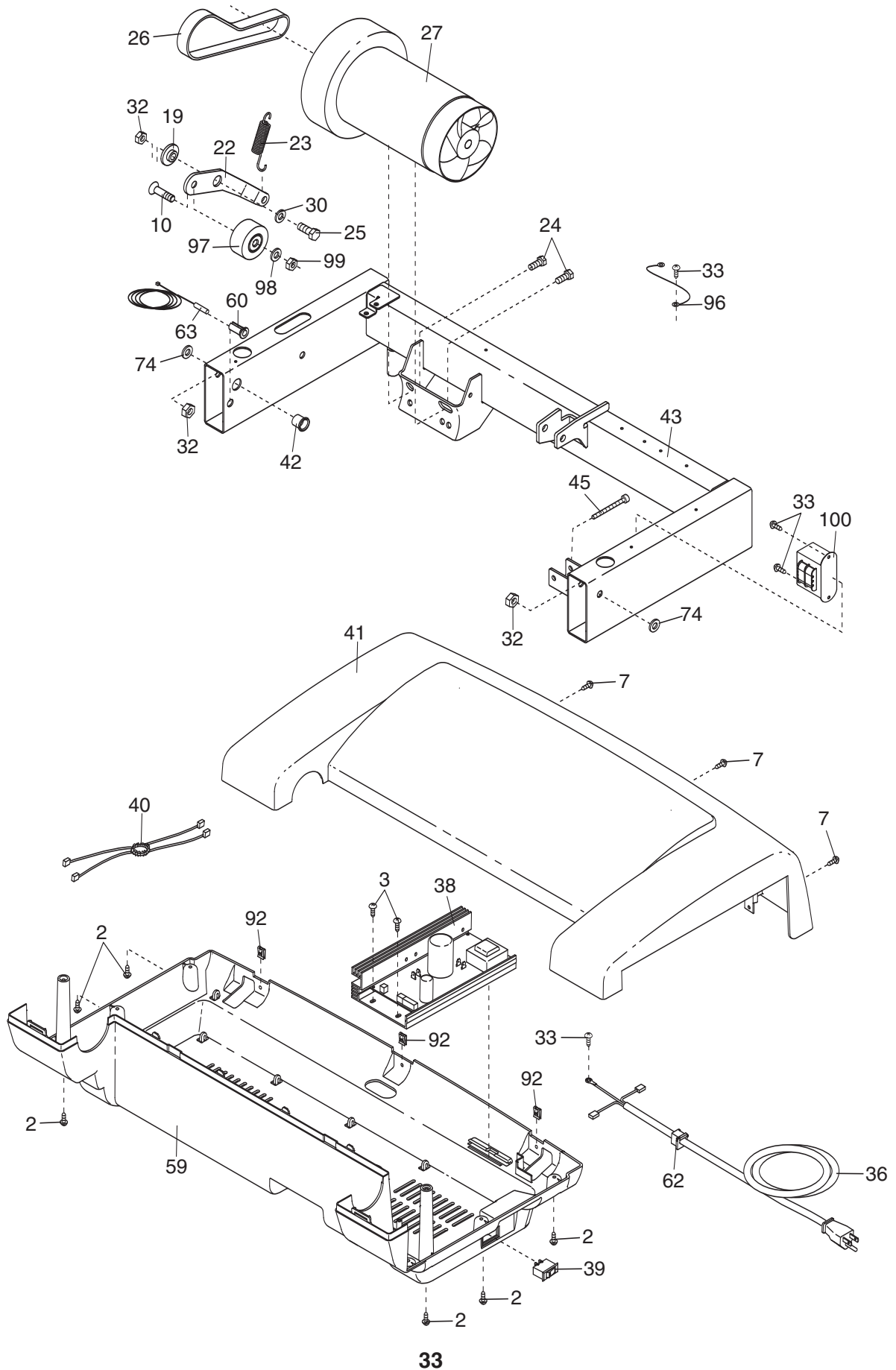
# EXPLODED DRAWING A—Model No. GGTL09607.0

R0707A



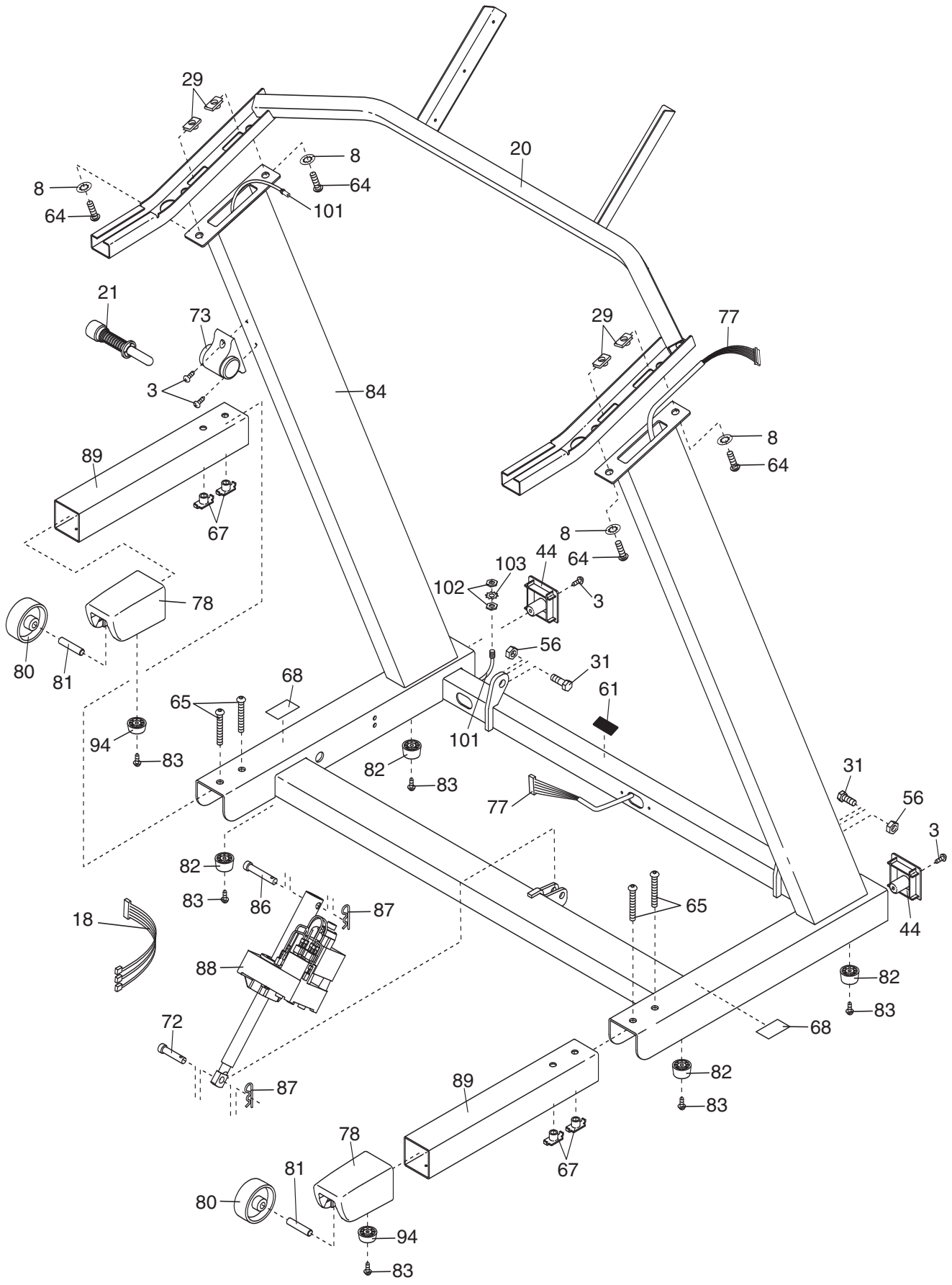
# EXPLODED DRAWING B—Model No. GGTL09607.0

R0707A



# EXPLODED DRAWING C—Model No. GGTL09607.0

R0707A



# EXPLODED DRAWING D—Model No. GGTL09607.0

R0707A

