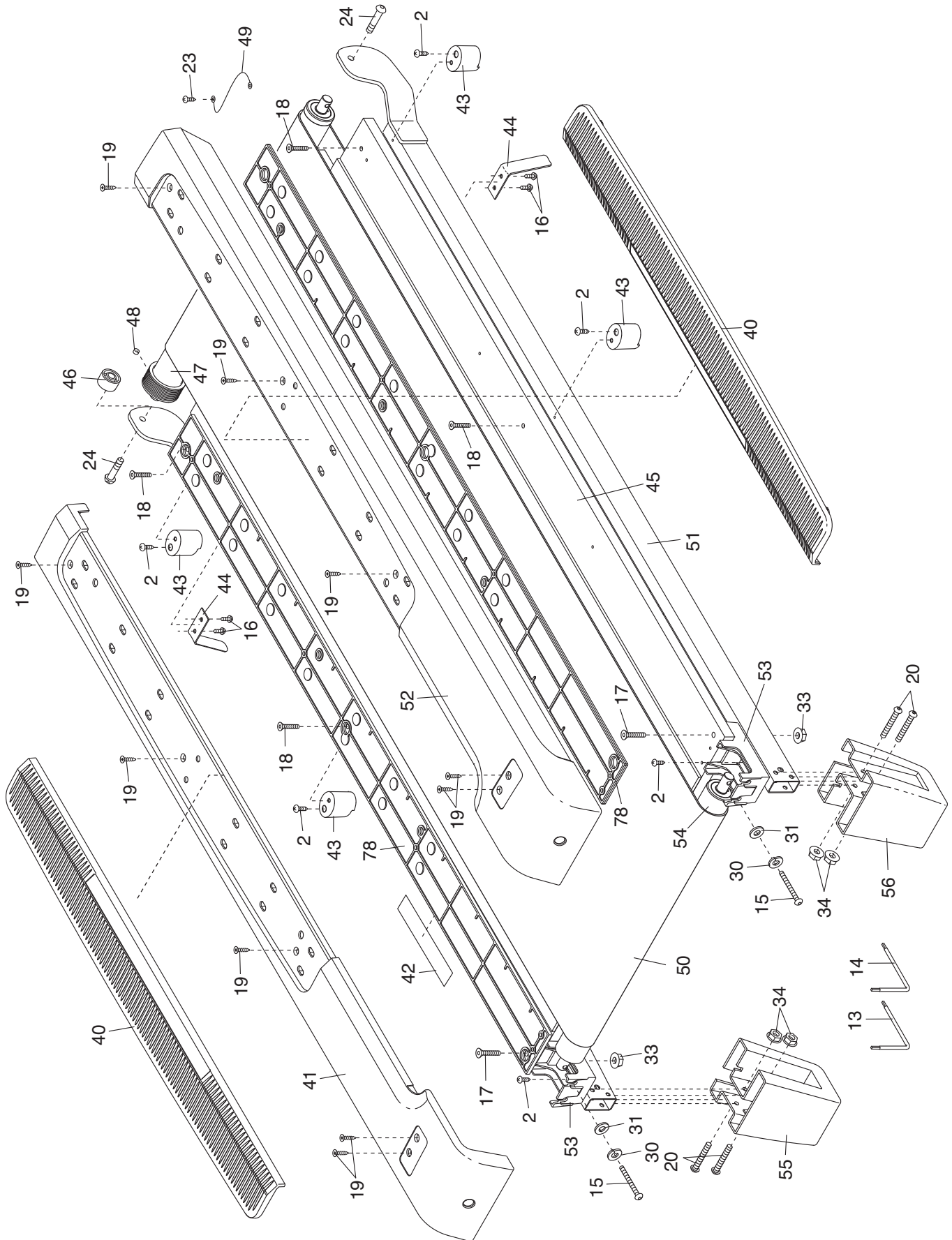


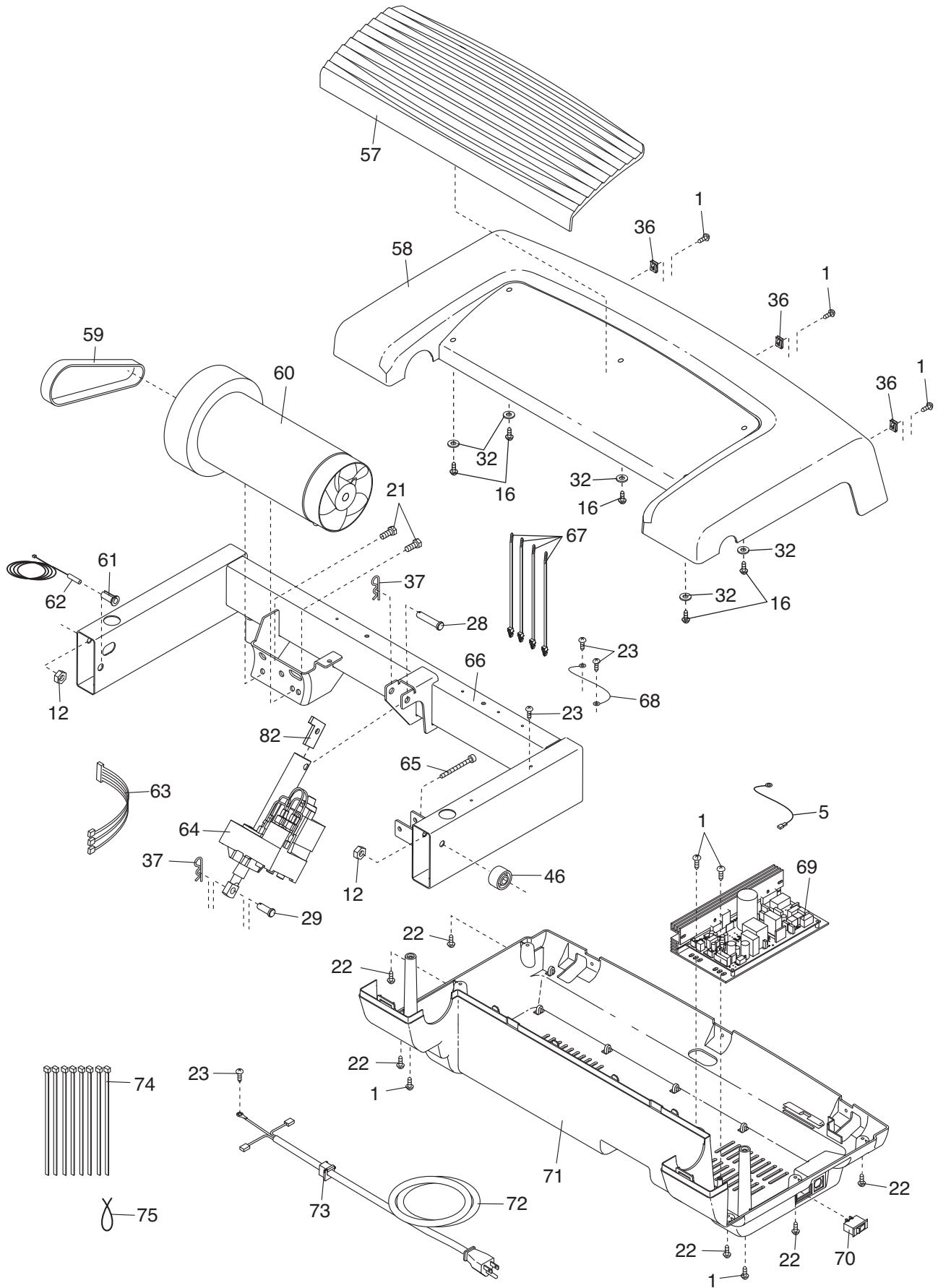
EXPLODED DRAWING A—Model No. GGTL10109.0

R0909A



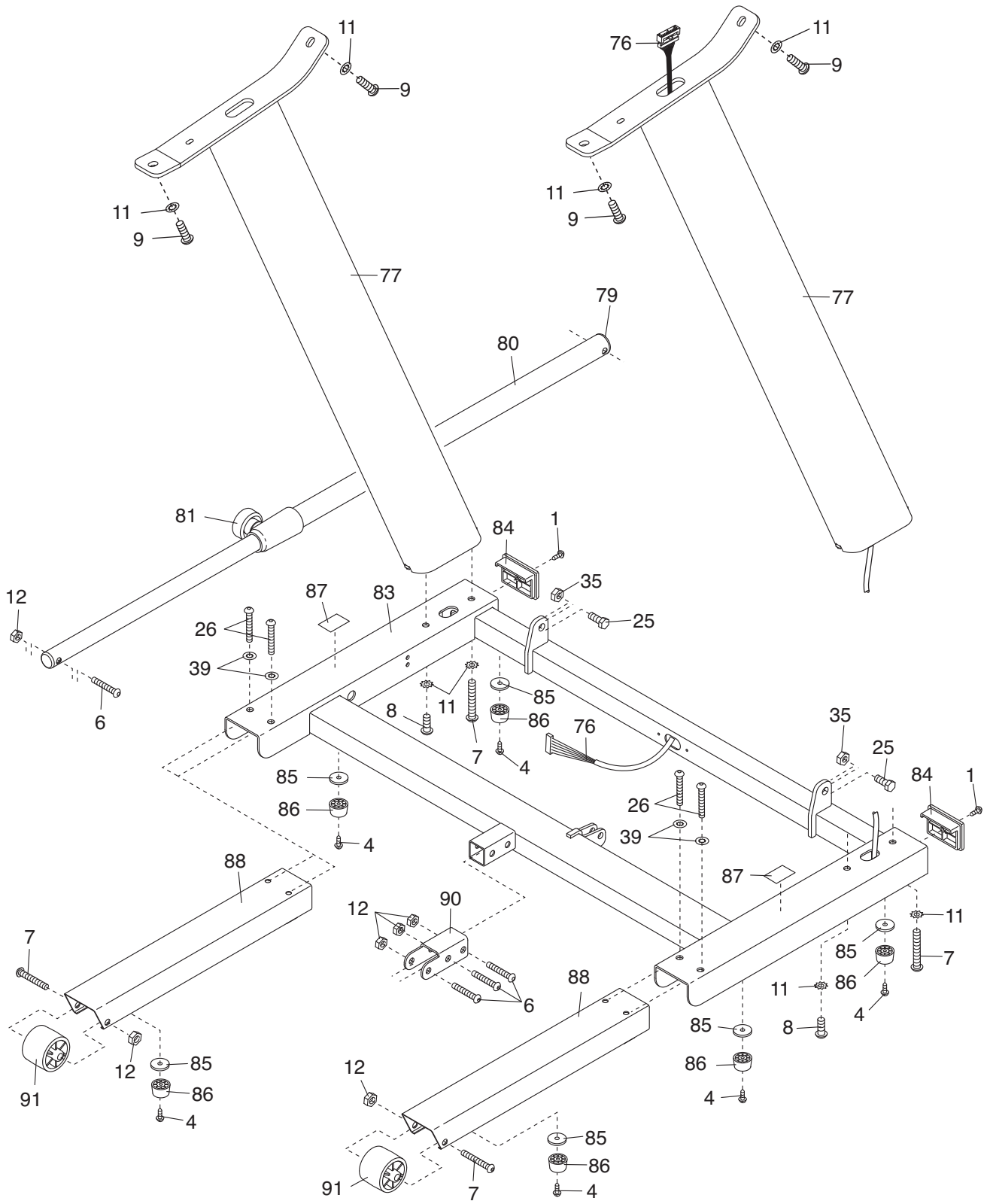
EXPLODED DRAWING B—Model No. GGTL10109.0

R0909A



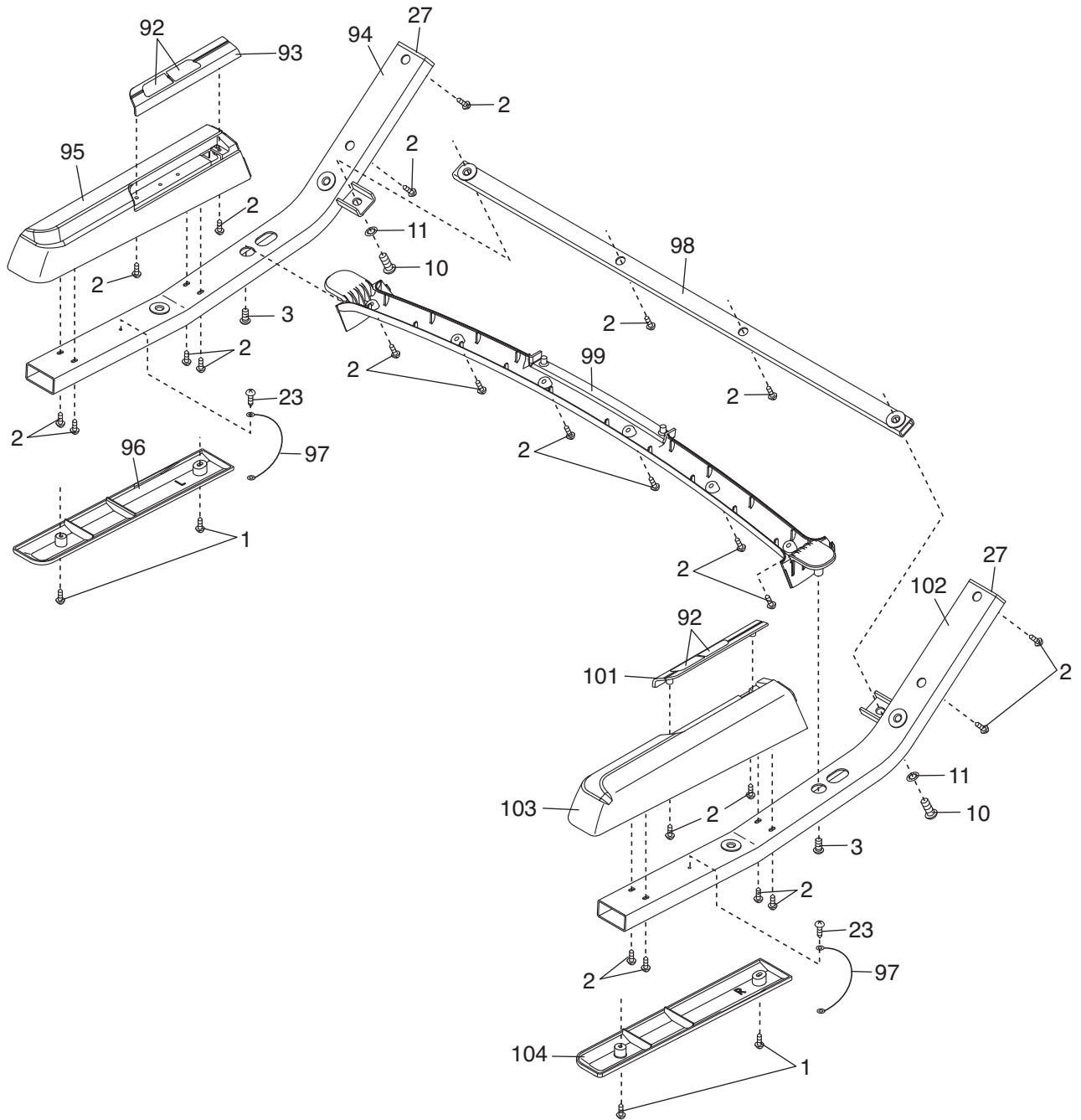
EXPLODED DRAWING C—Model No. GGTL10109.0

R0909A



EXPLODED DRAWING D—Model No. GGTL10109.0

R0909A



EXPLODED DRAWING E—Model No. GGTL10109.0

R0909A

