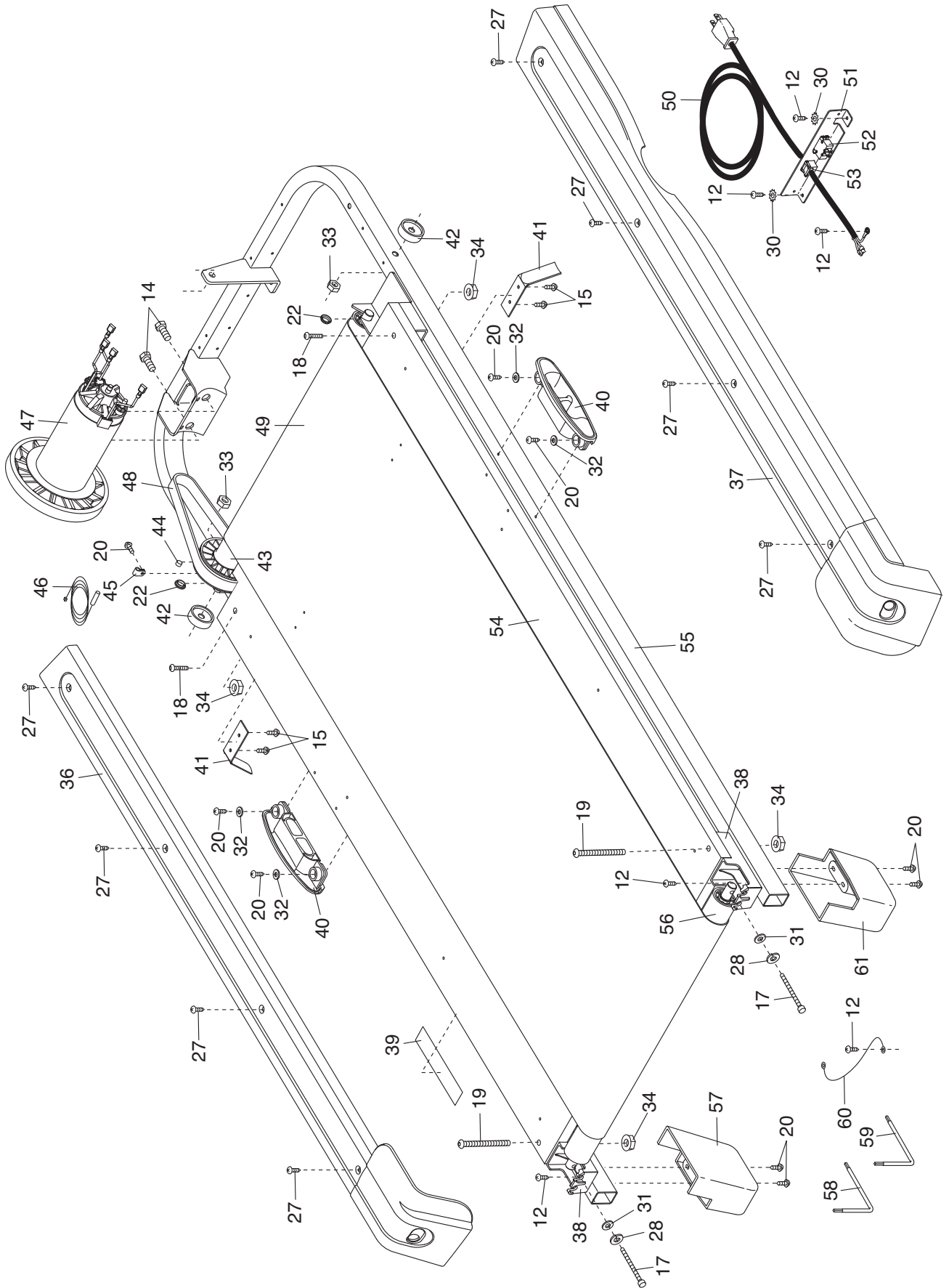


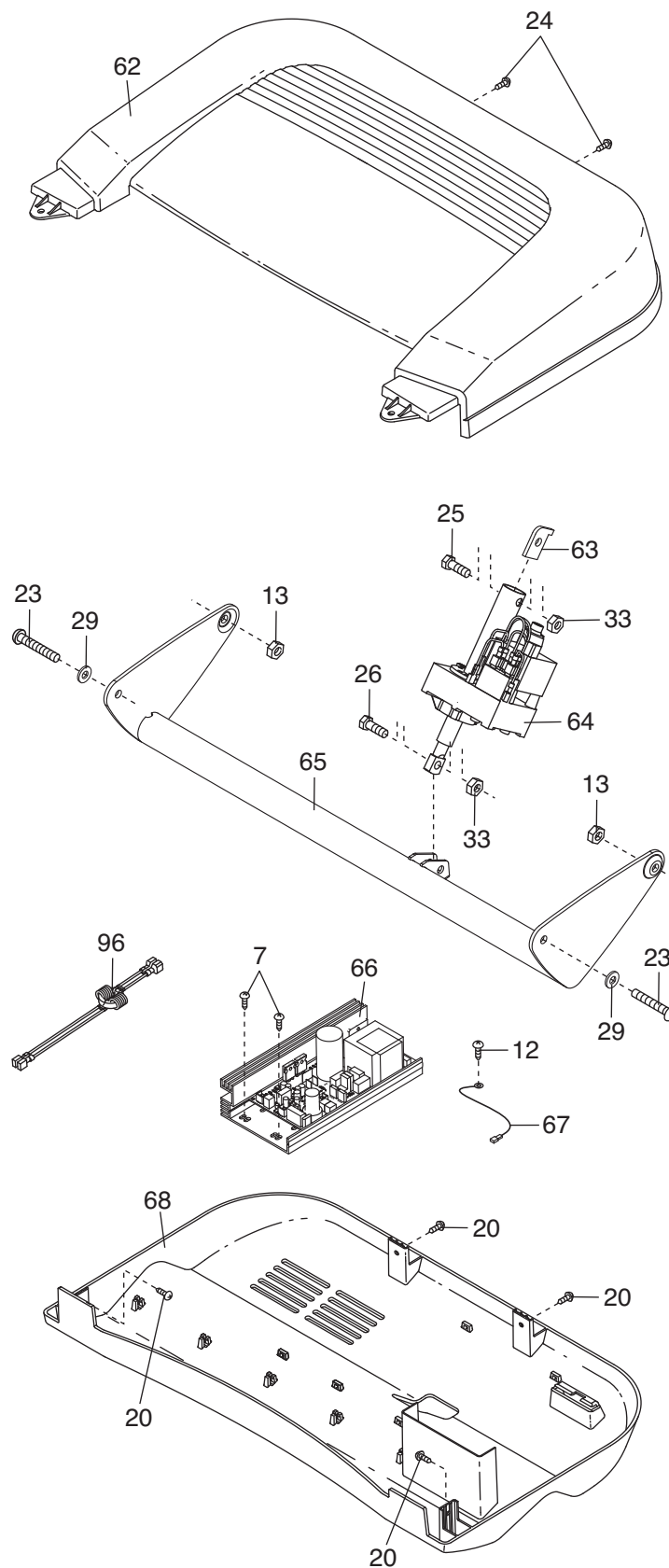
EXPLODED DRAWING A—Model No. GGTL39608.0

R0310A



EXPLODED DRAWING B—Model No. GGTL39608.0

R0310A



EXPLODED DRAWING C—Model No. GGTL39608.0

R0310A

