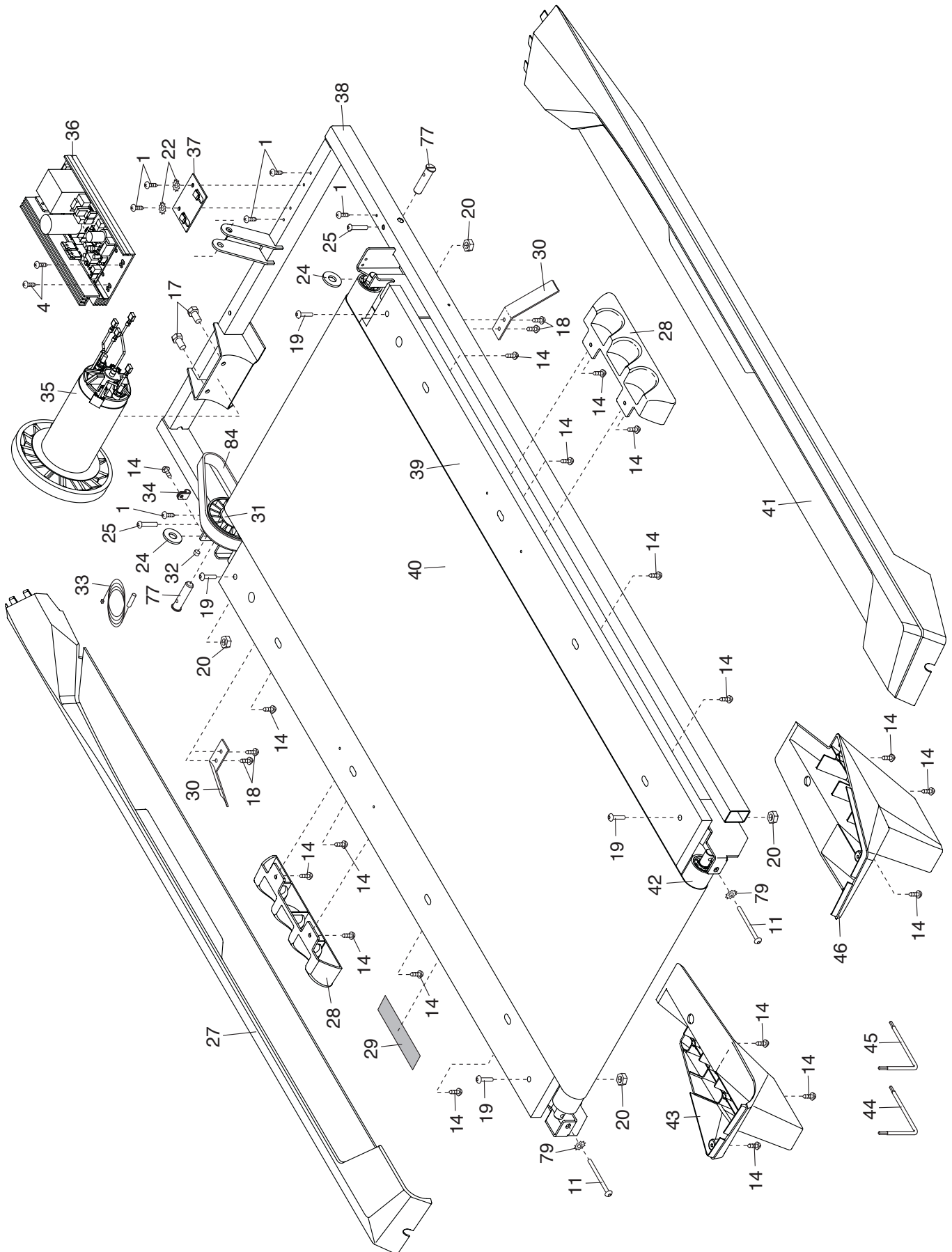


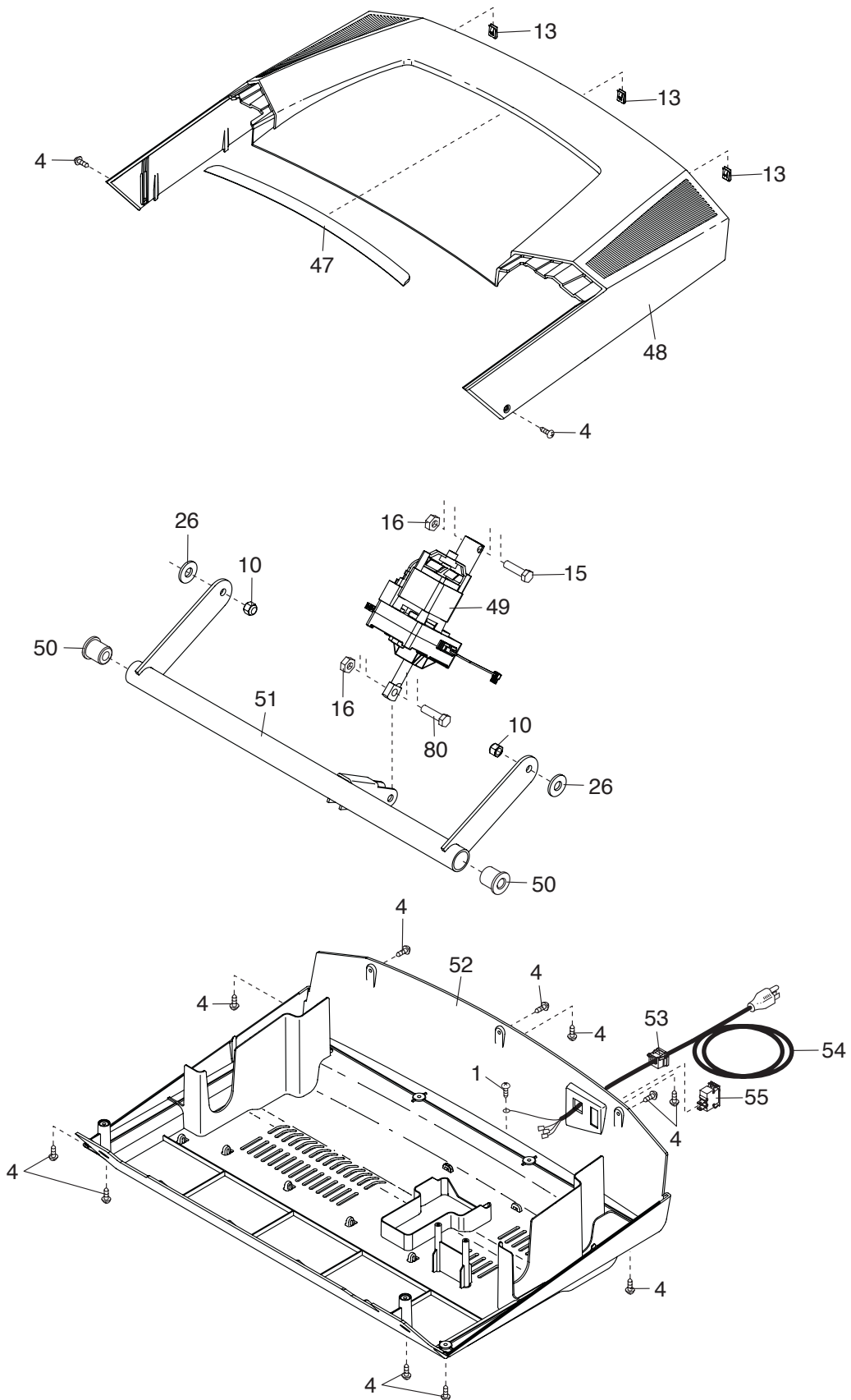
EXPLODED DRAWING A

Model No. GGTL39610.1 R0612A



EXPLODED DRAWING B

Model No. GGTL39610.1 R0612A



EXPLODED DRAWING C

Model No. GGTL39610.1 R0612A

