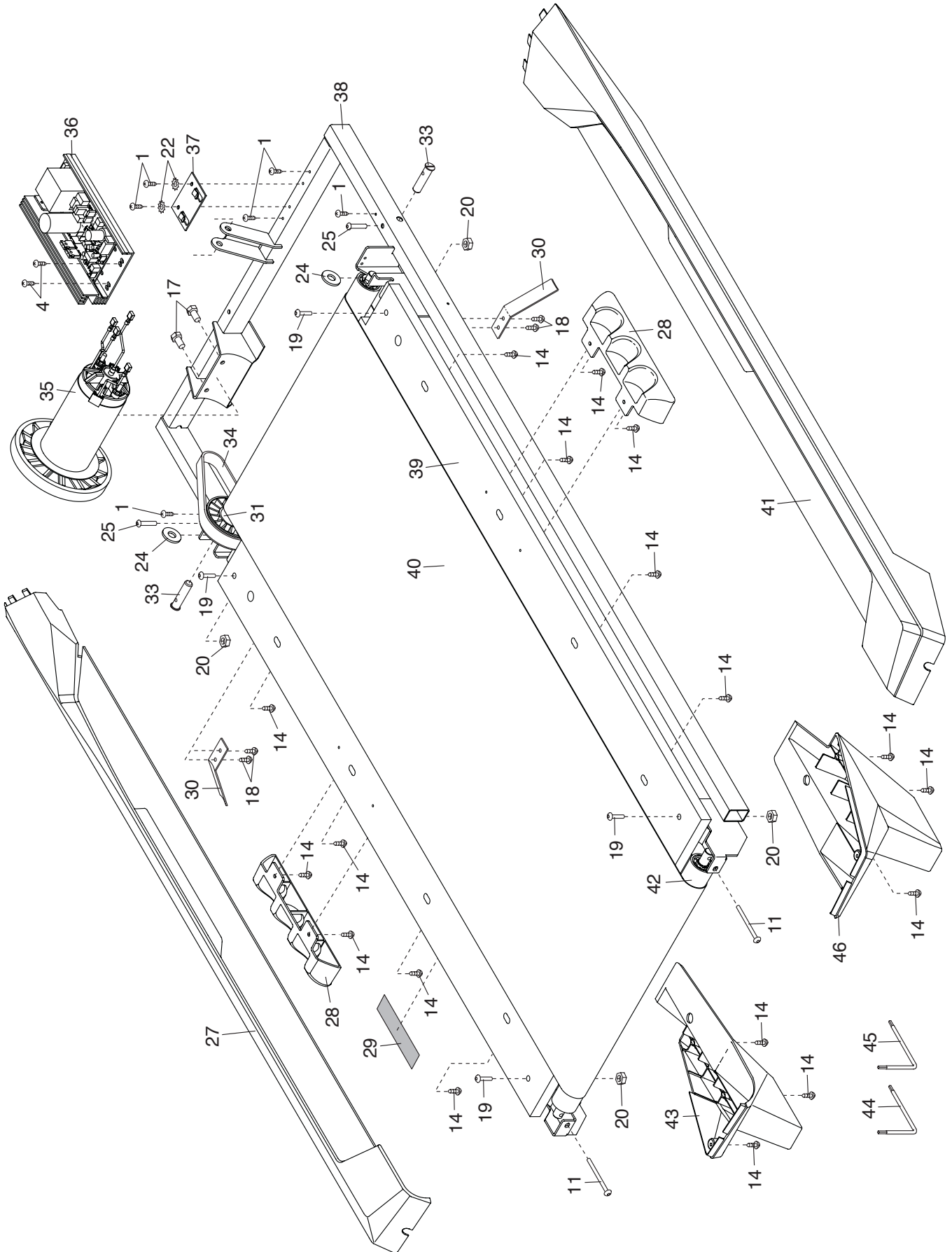


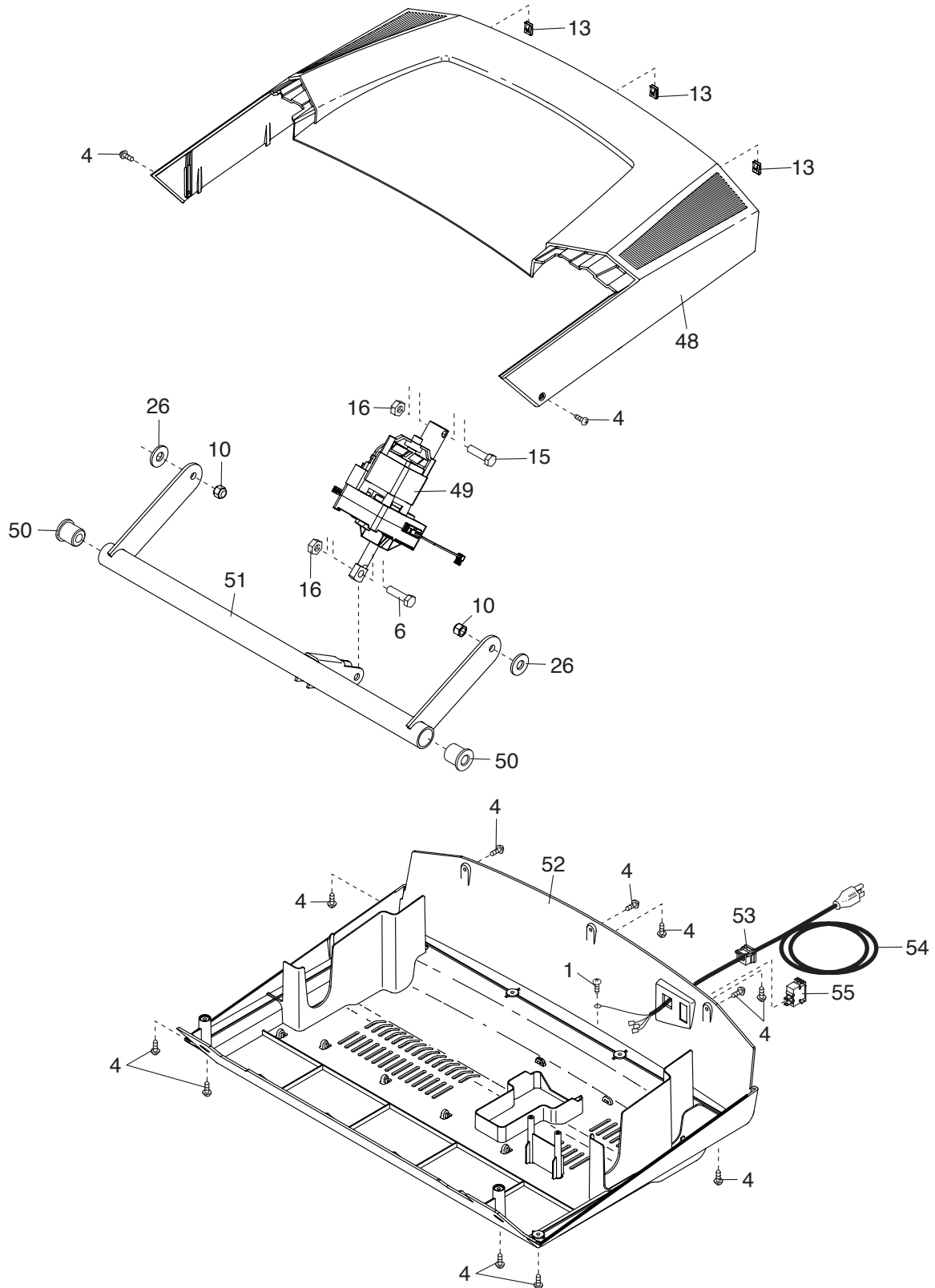
EXPLODED DRAWING A

Model No. GGTL39610.3 R0312B



EXPLODED DRAWING B

Model No. GGTL39610.3 R0312B



EXPLODED DRAWING C

Model No. GGTL39610.3 R0312B

