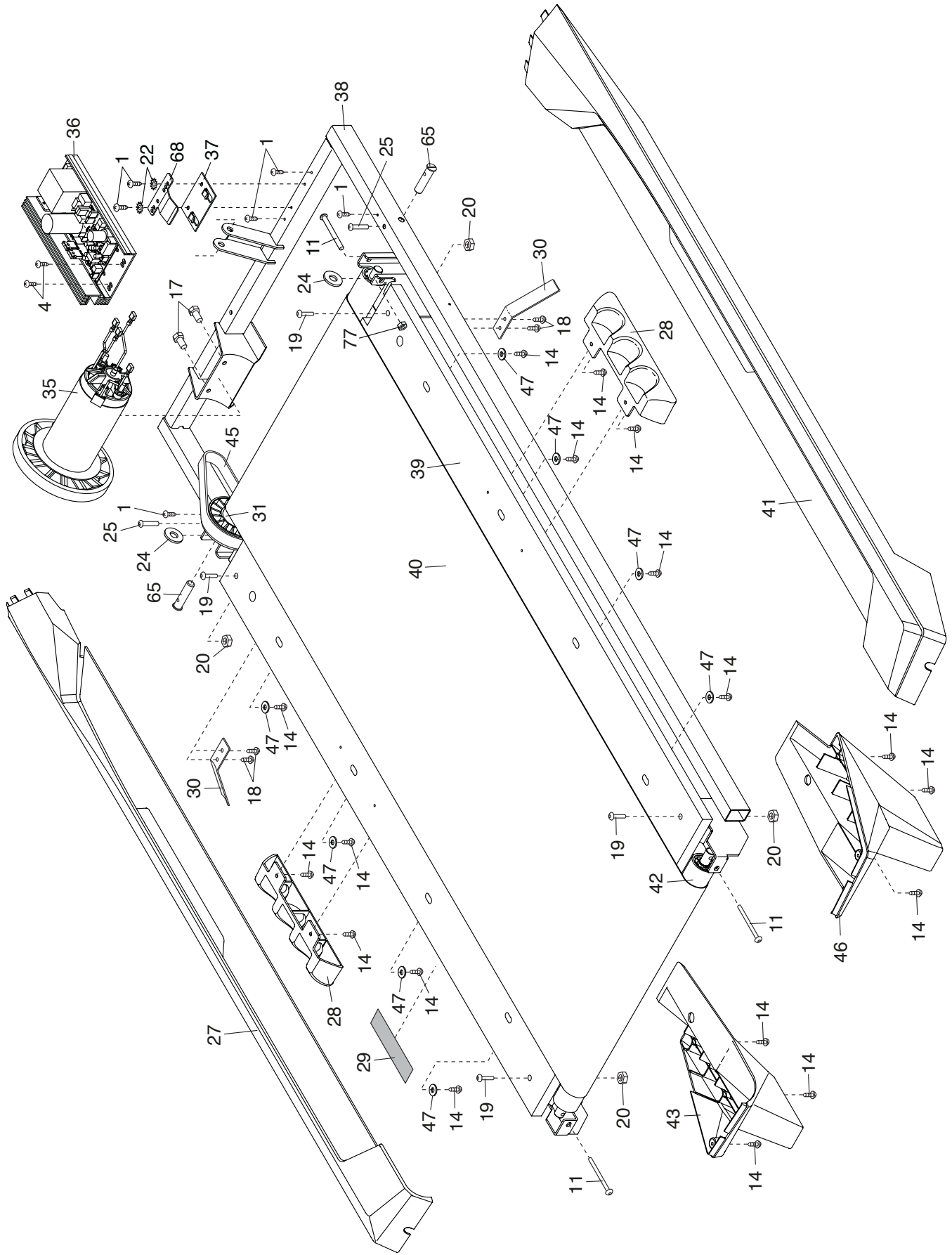


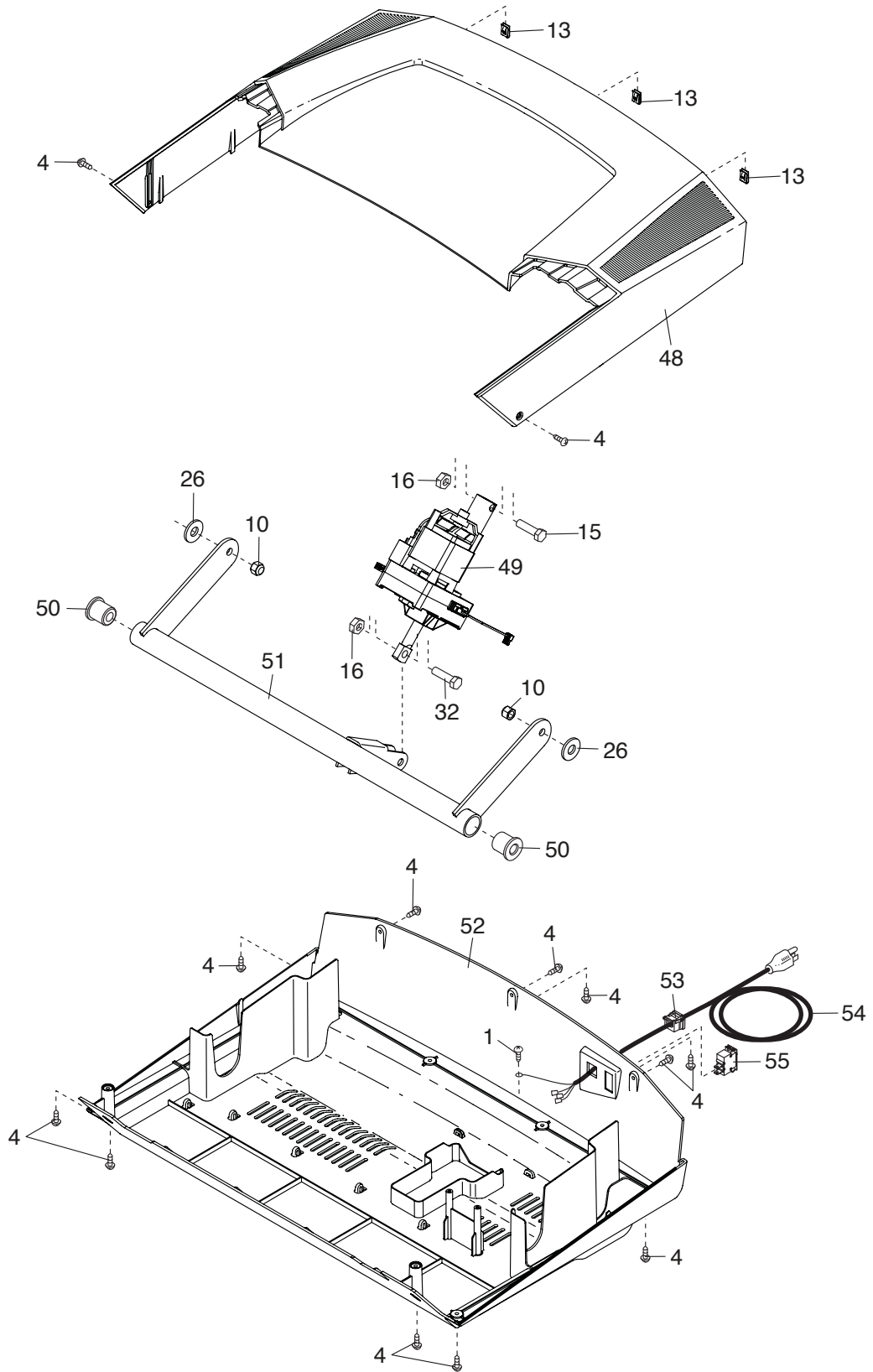
# EXPLODED DRAWING A

Model No. GGTL39615.2 R0117A



# EXPLODED DRAWING B

Model No. GGTL39615.2 R0117A



# EXPLODED DRAWING C

Model No. GGTL39615.2 R0117A

