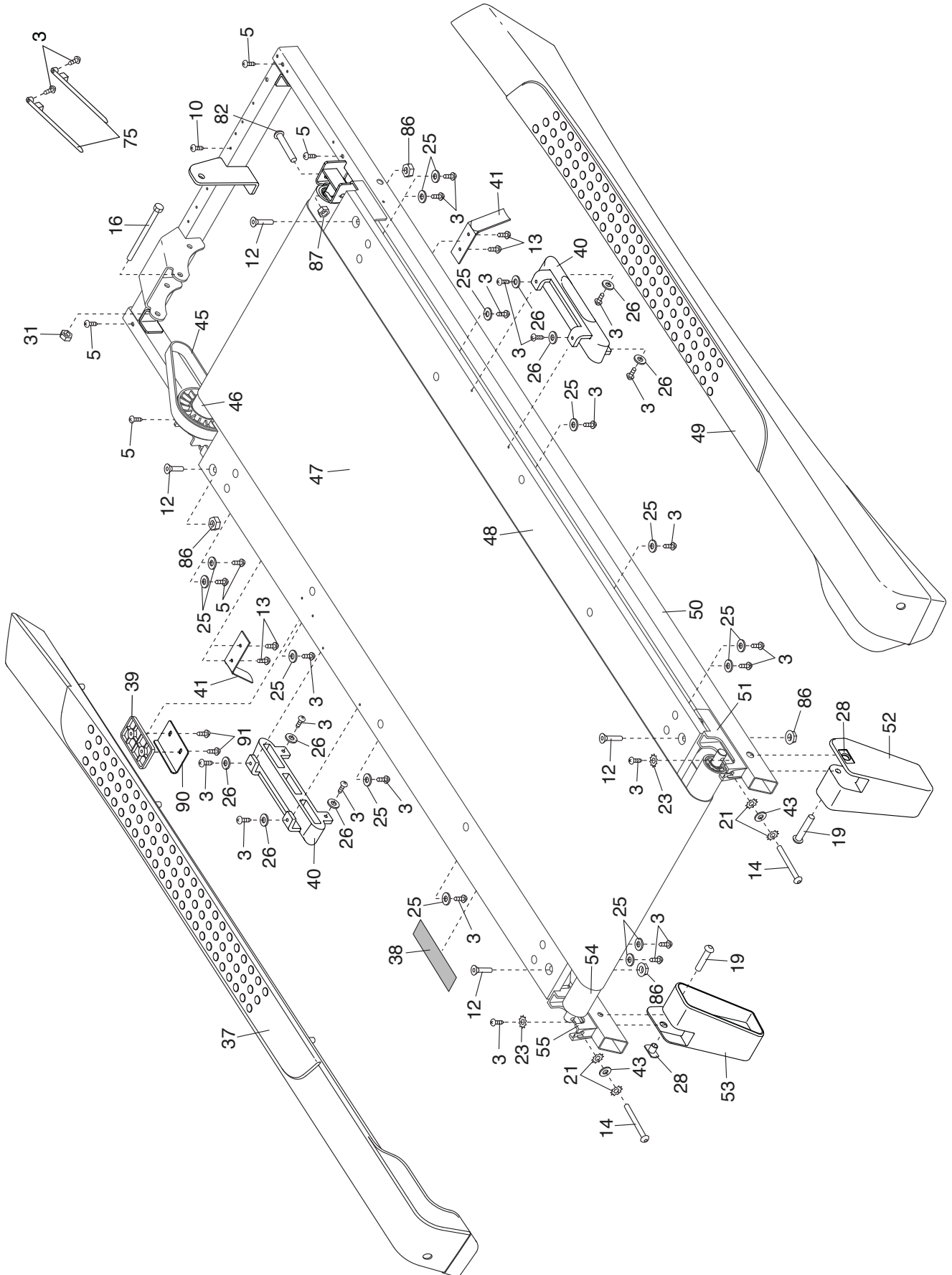


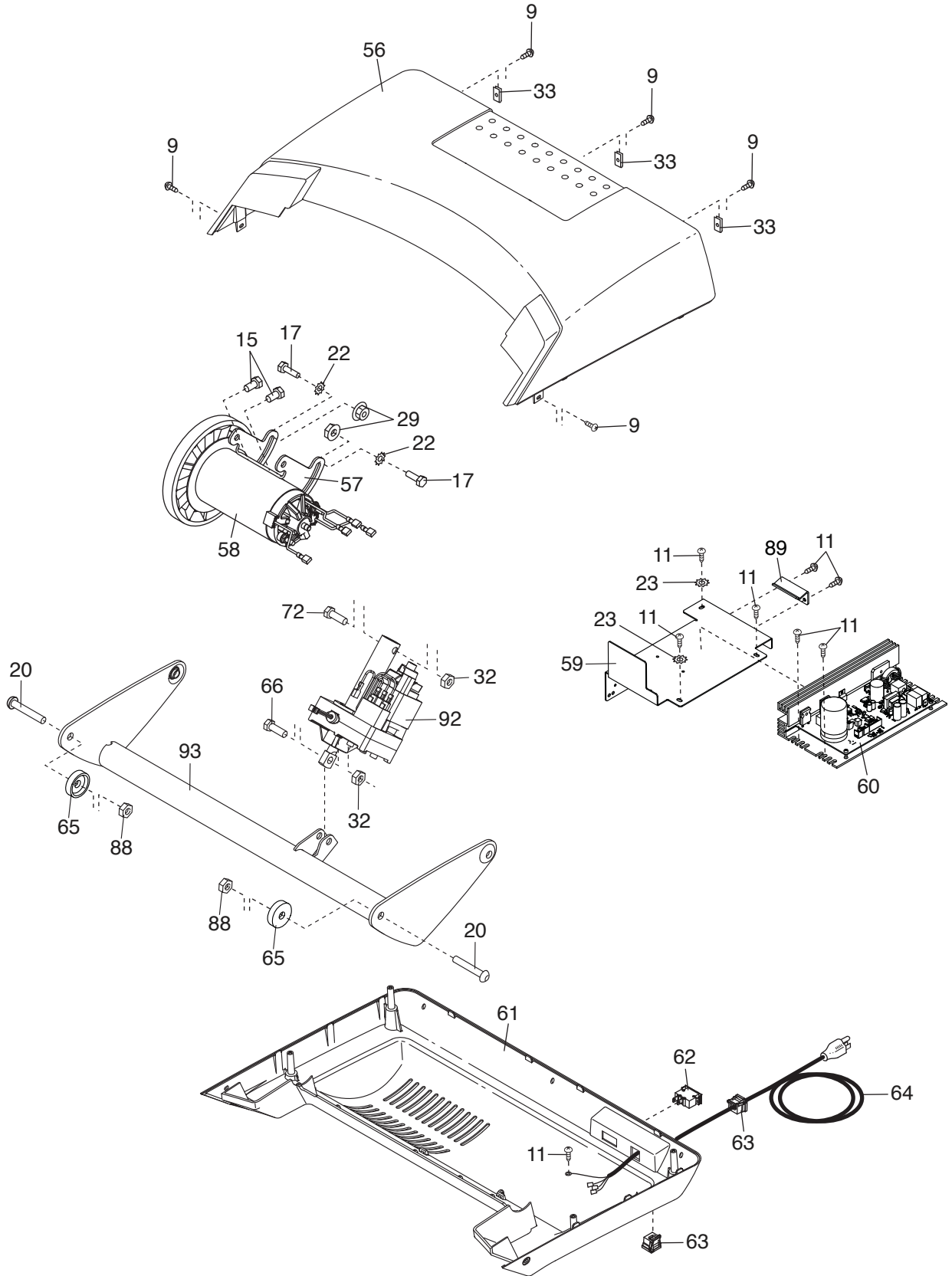
EXPLODED DRAWING A

Model No. GGTL39615.4 R0717A



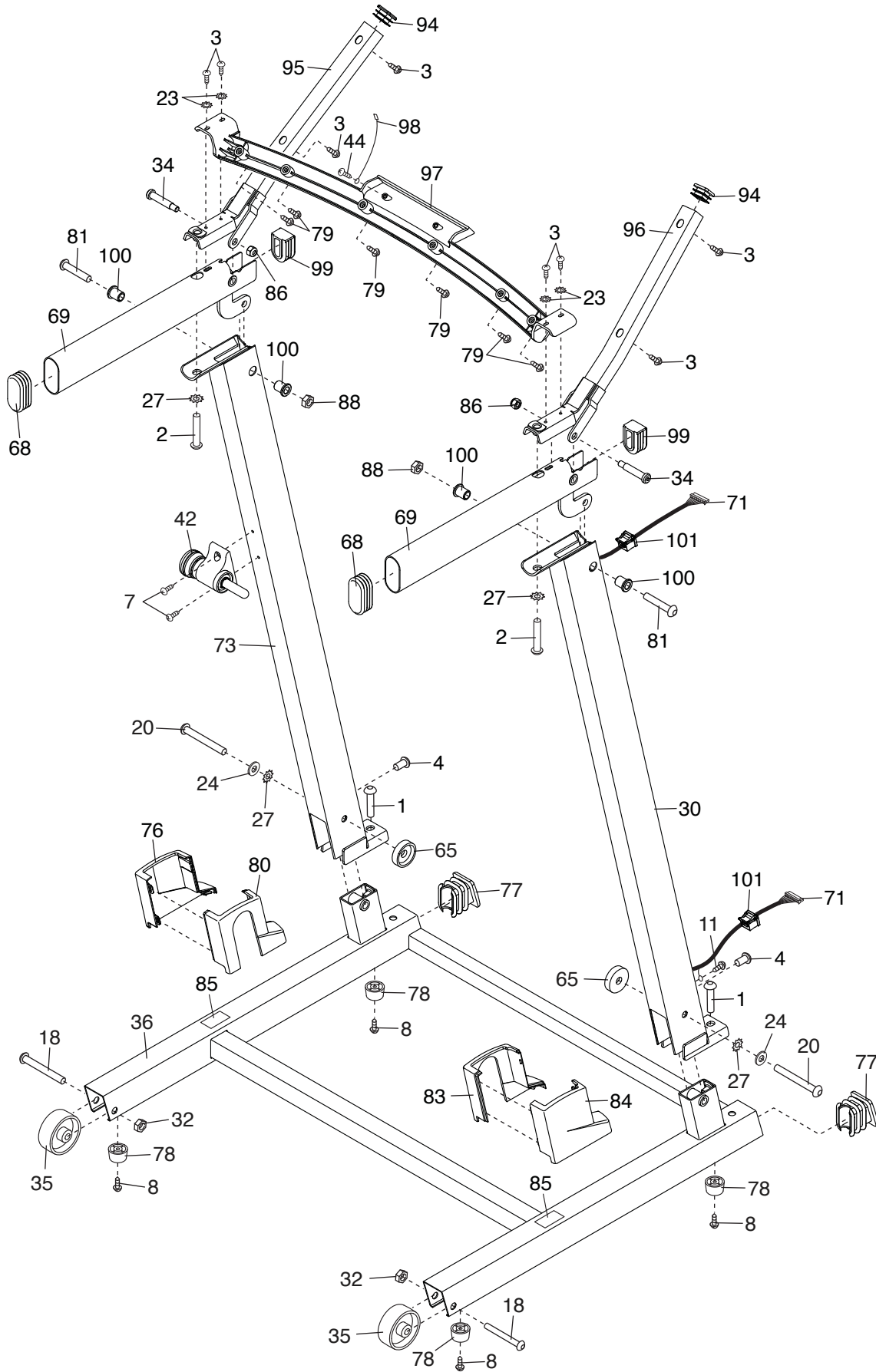
EXPLODED DRAWING B

Model No. GGTL39615.4 R0717A



EXPLODED DRAWING C

Model No. GGTL39615.4 R0717A



30

EXPLODED DRAWING D

Model No. GGTL39615.4 R0717A

