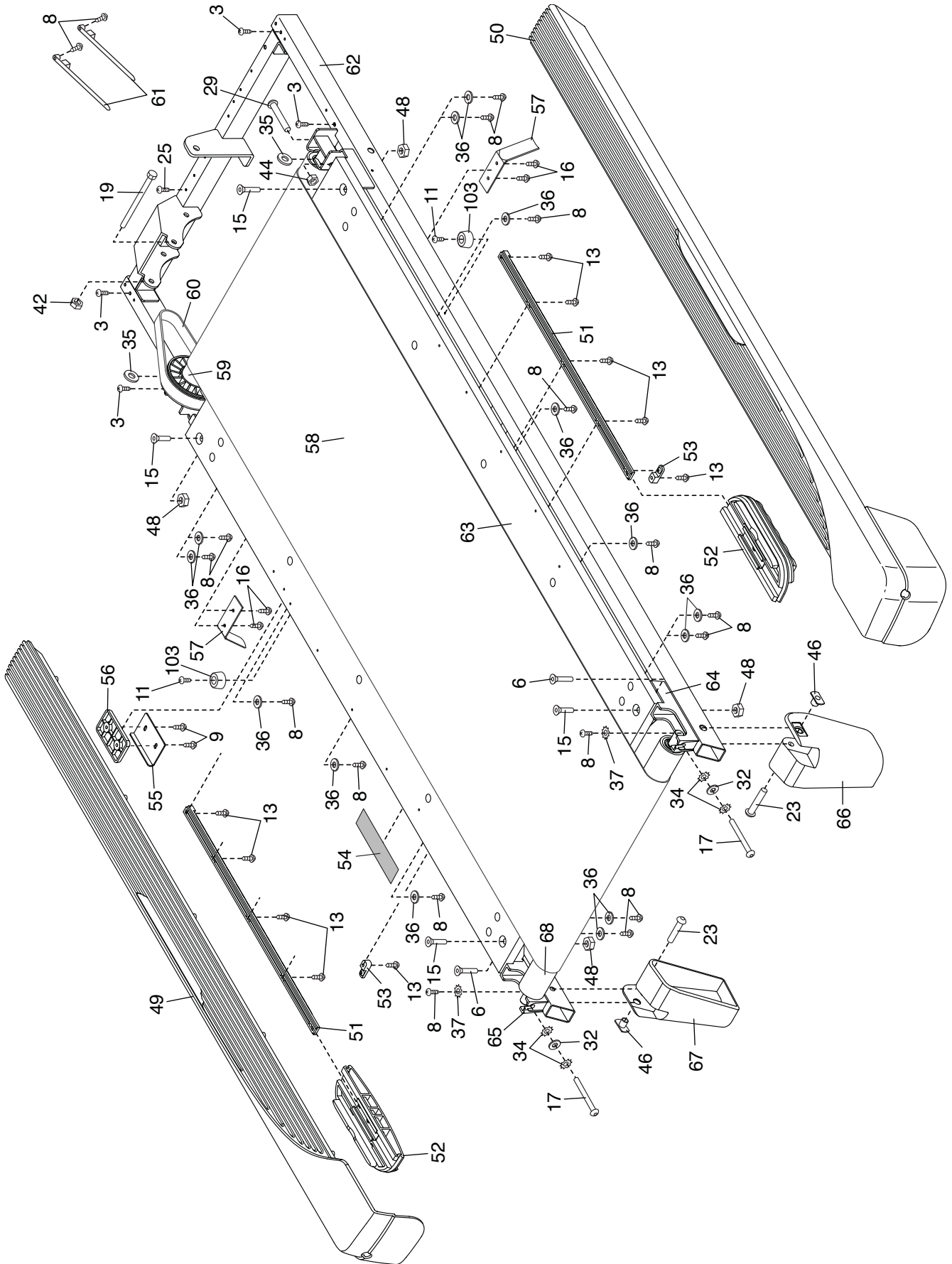


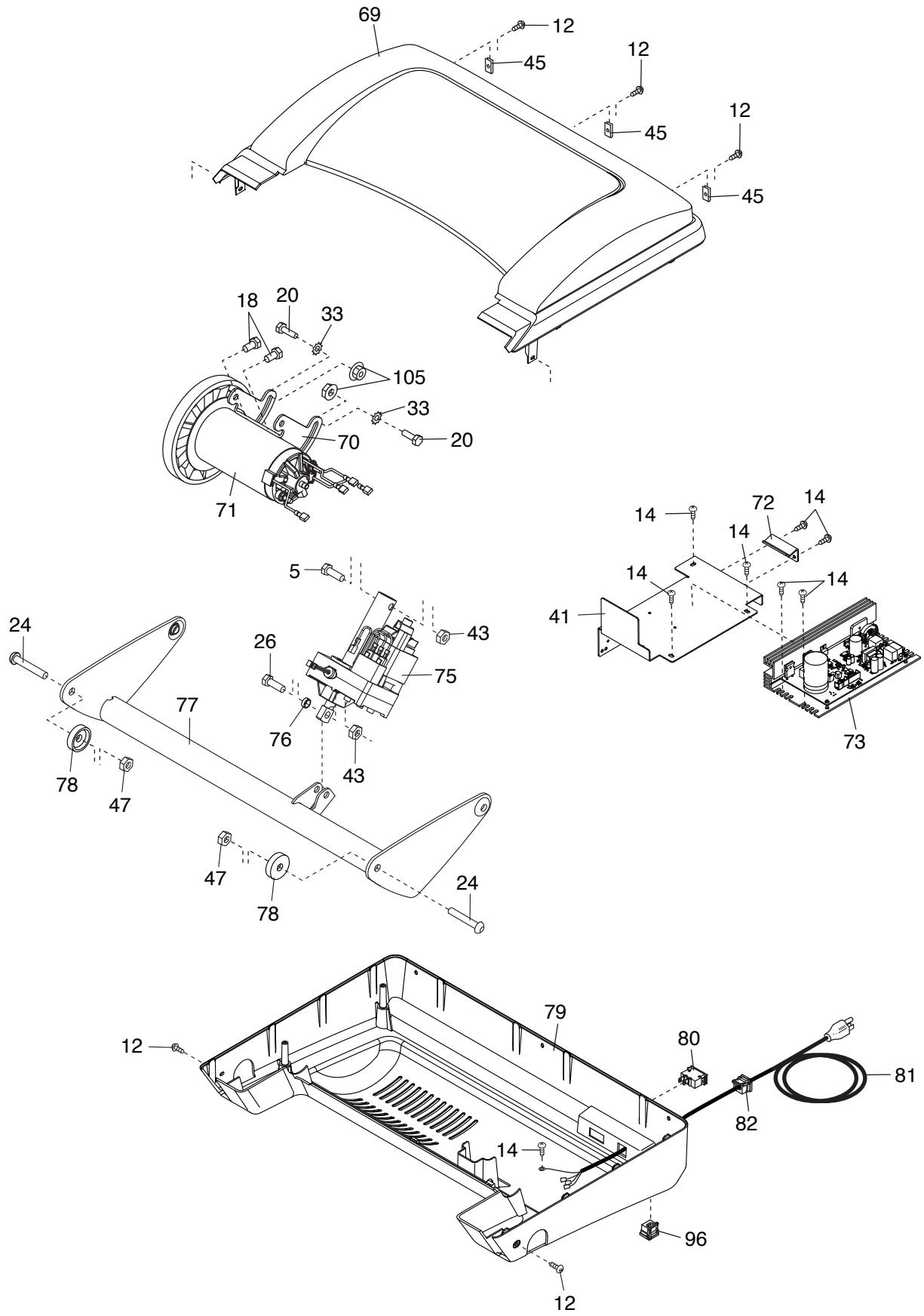
EXPLODED DRAWING A

Model No. GGTL39617.0 R0717B



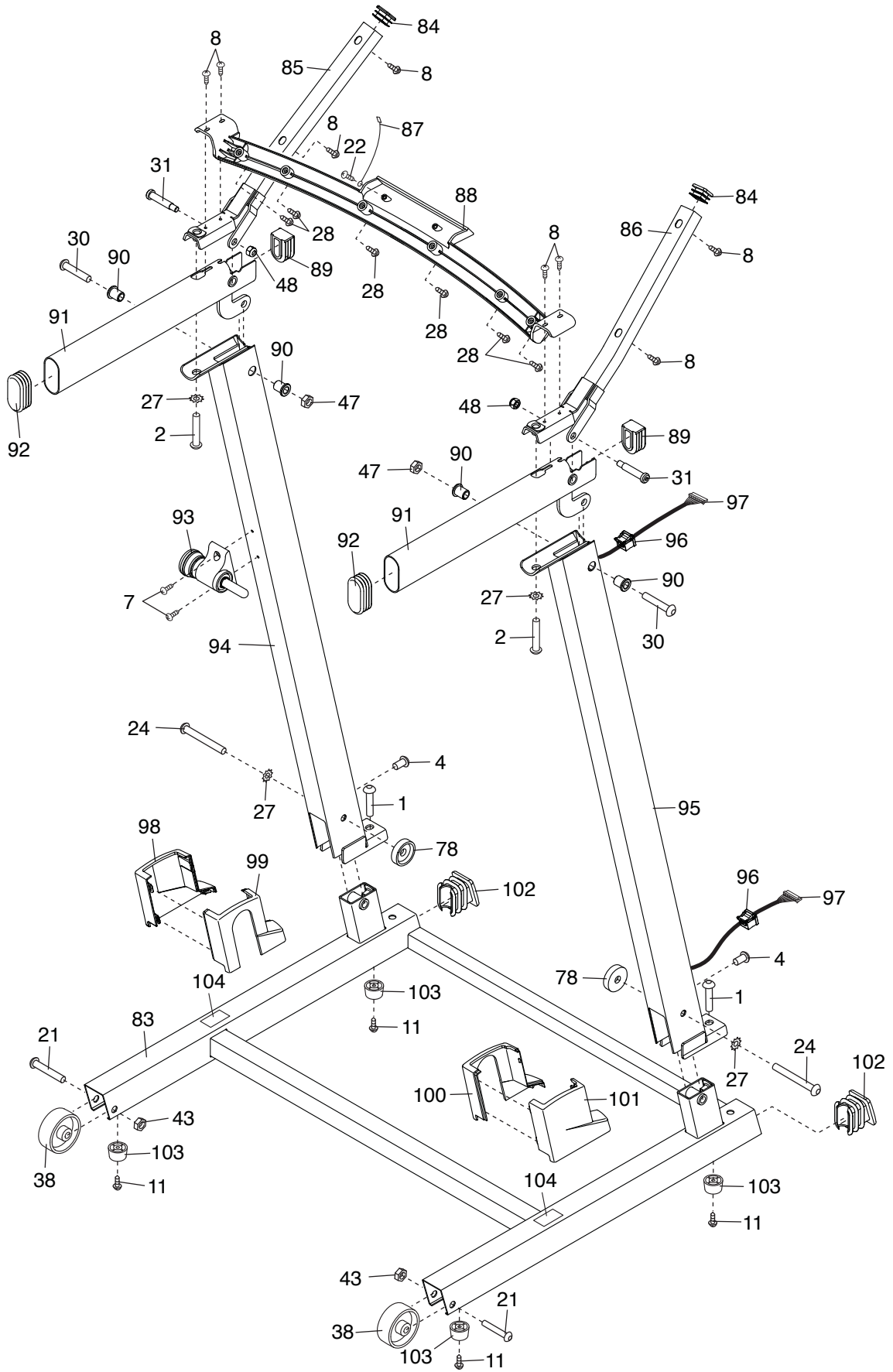
EXPLODED DRAWING B

Model No. GGTL39617.0 R0717B



EXPLODED DRAWING C

Model No. GGTL39617.0 R0717B



EXPLODED DRAWING D

Model No. GGTL39617.0 R0717B

