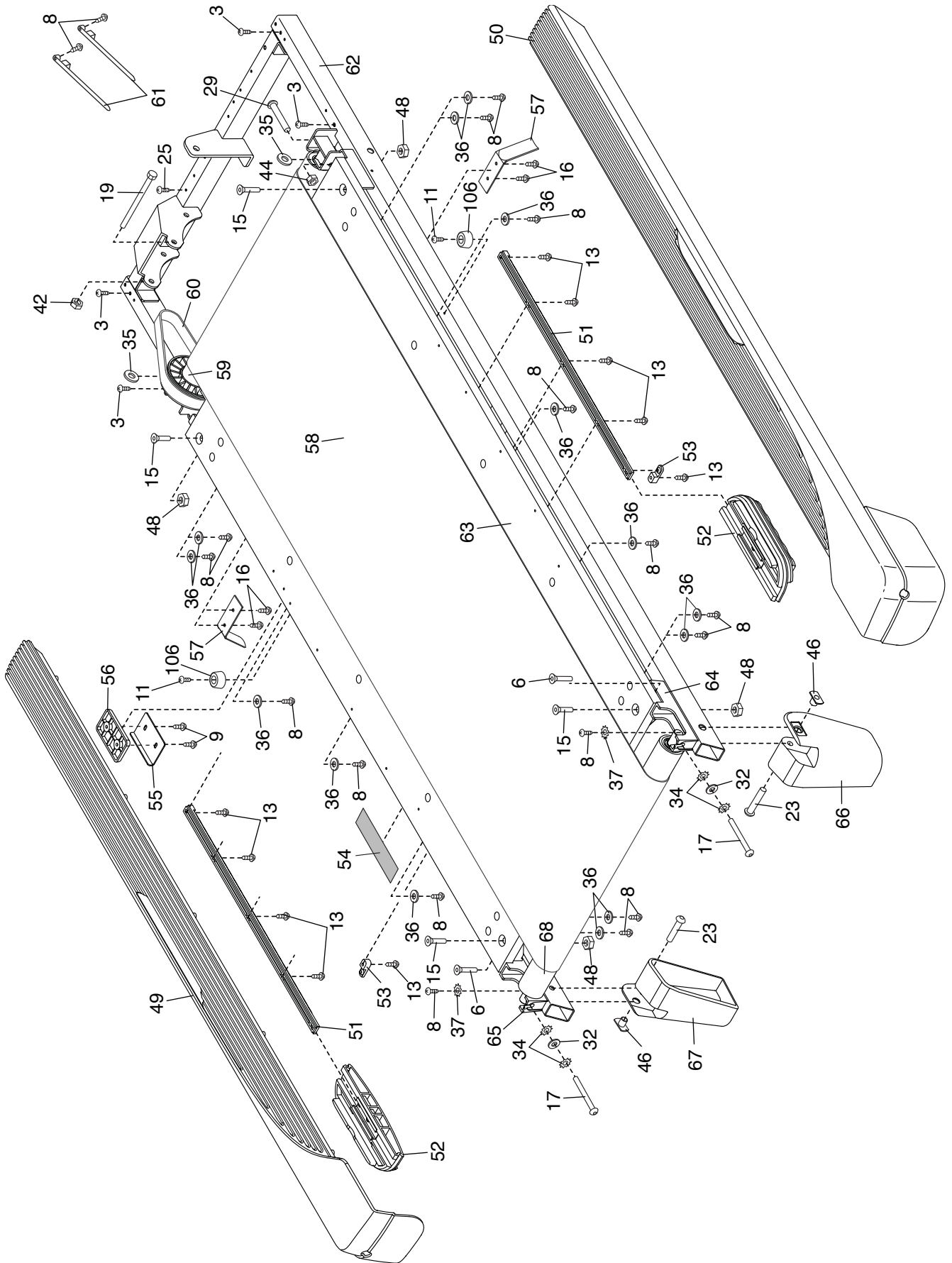


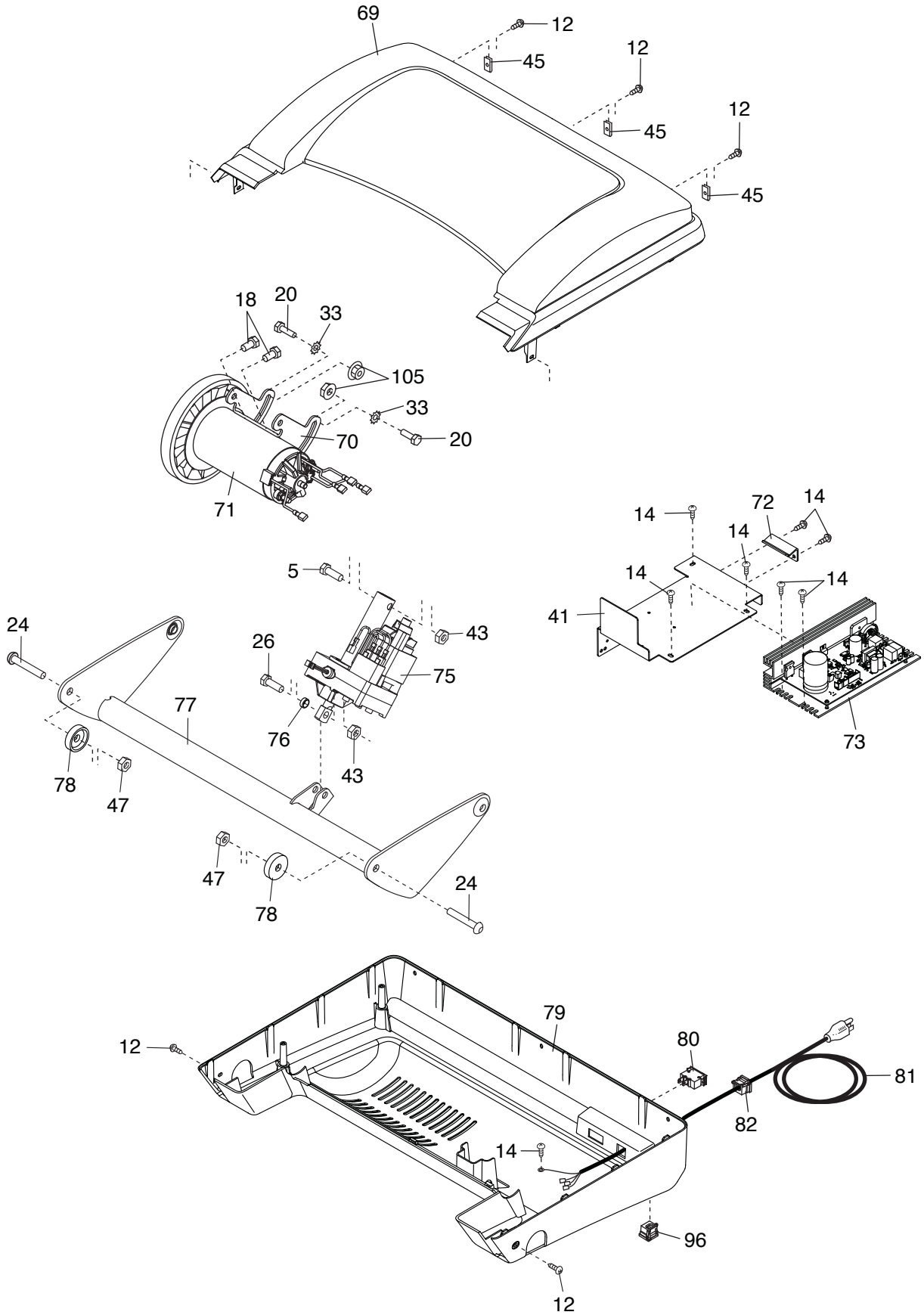
# EXPLODED DRAWING A

Model No. GGTL39617.3 R1217A



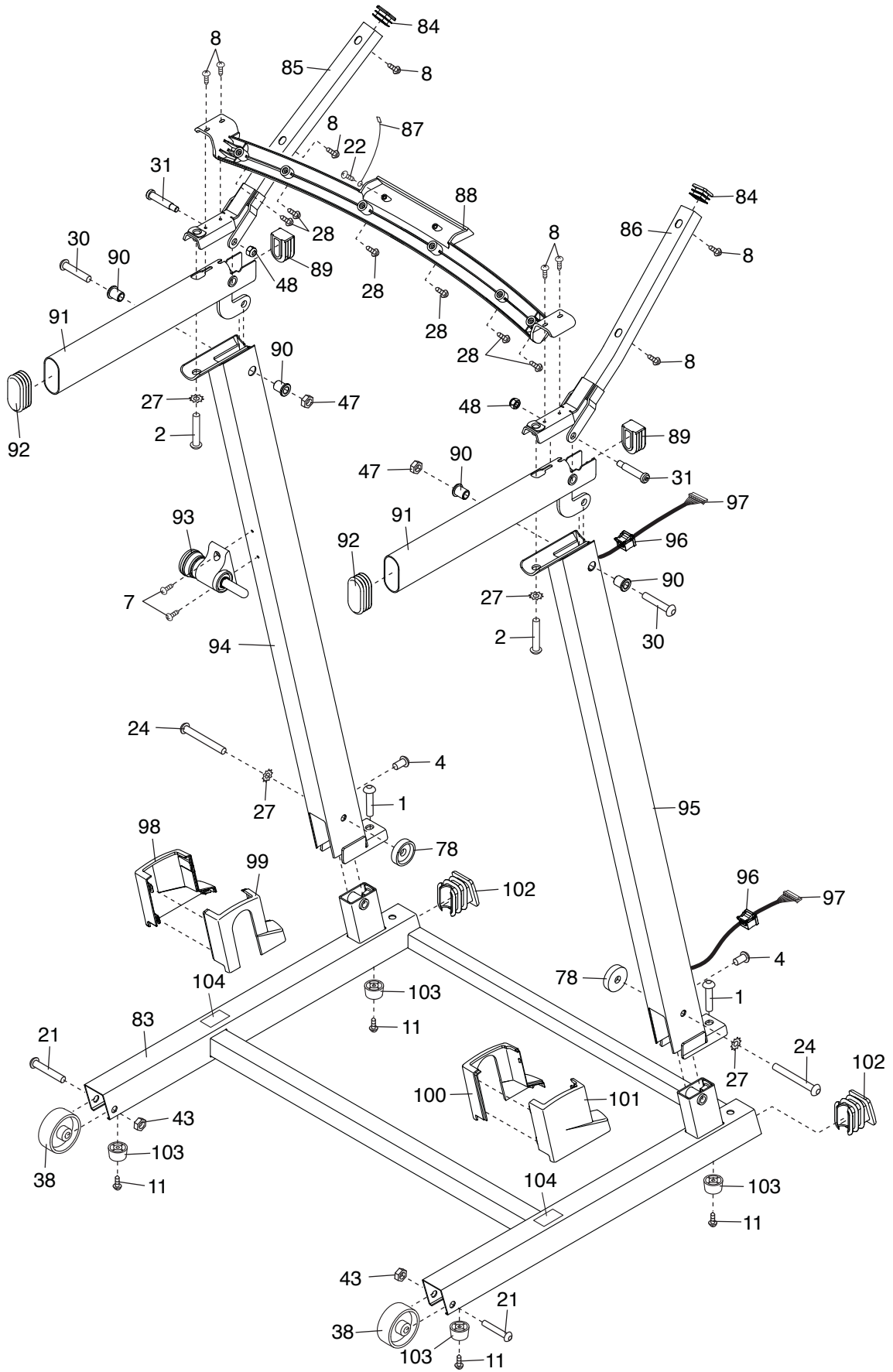
# EXPLODED DRAWING B

Model No. GGTL39617.3 R1217A



# EXPLODED DRAWING C

Model No. GGTL39617.3 R1217A



# EXPLODED DRAWING D

Model No. GGTL39617.3 R1217A

