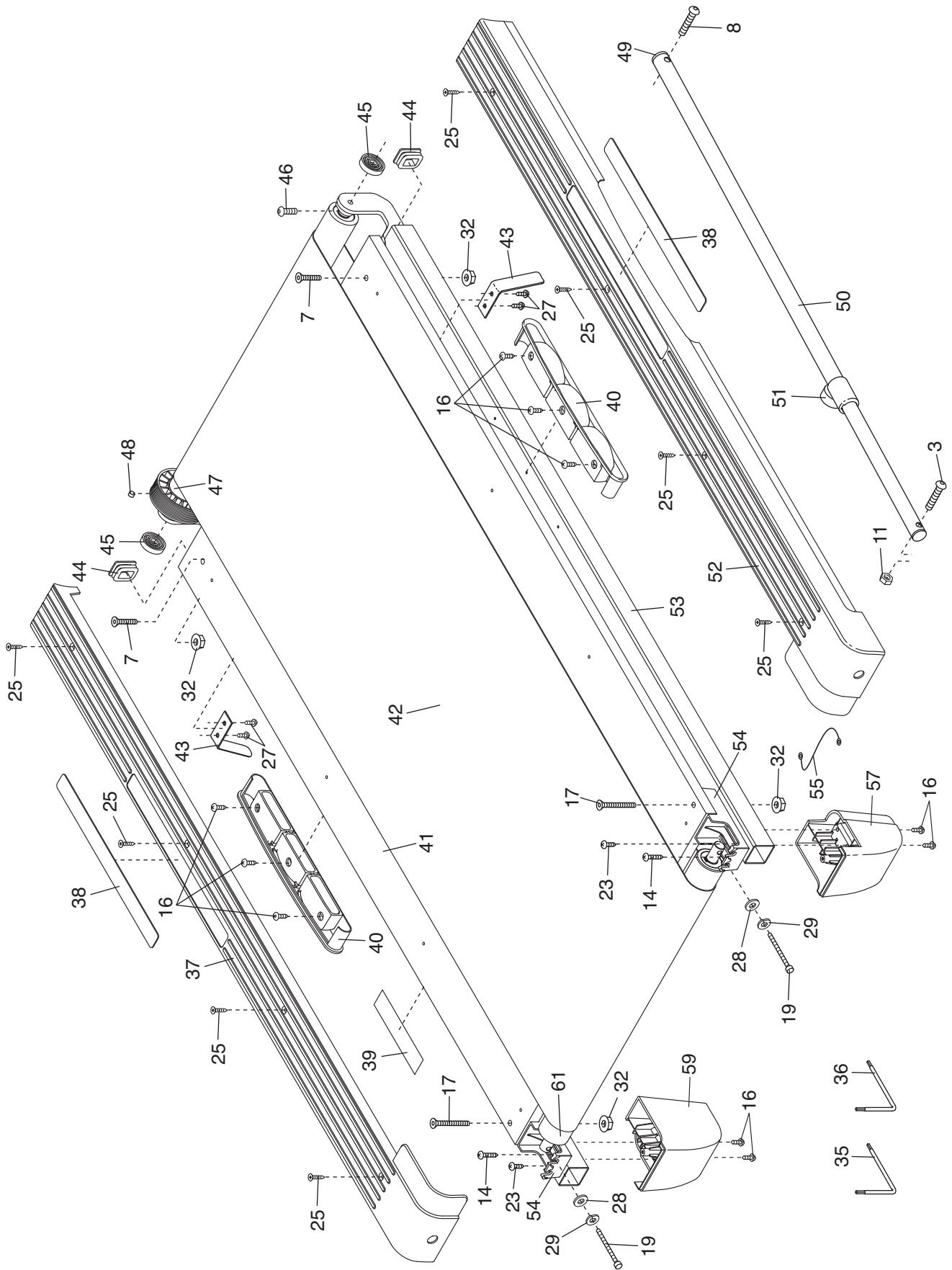


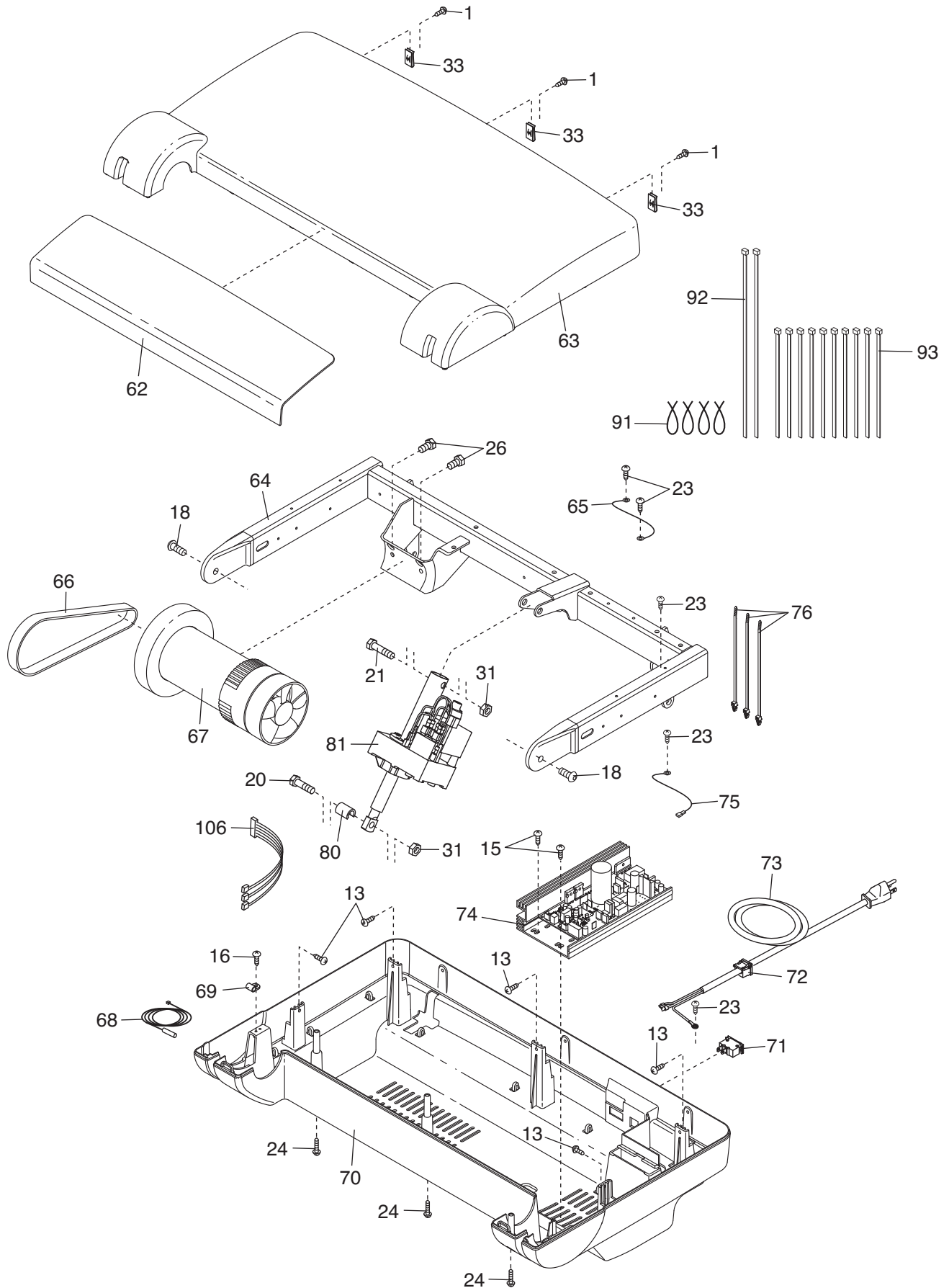
EXPLODED DRAWING A—Model No. GGTL59608.0

R0509B



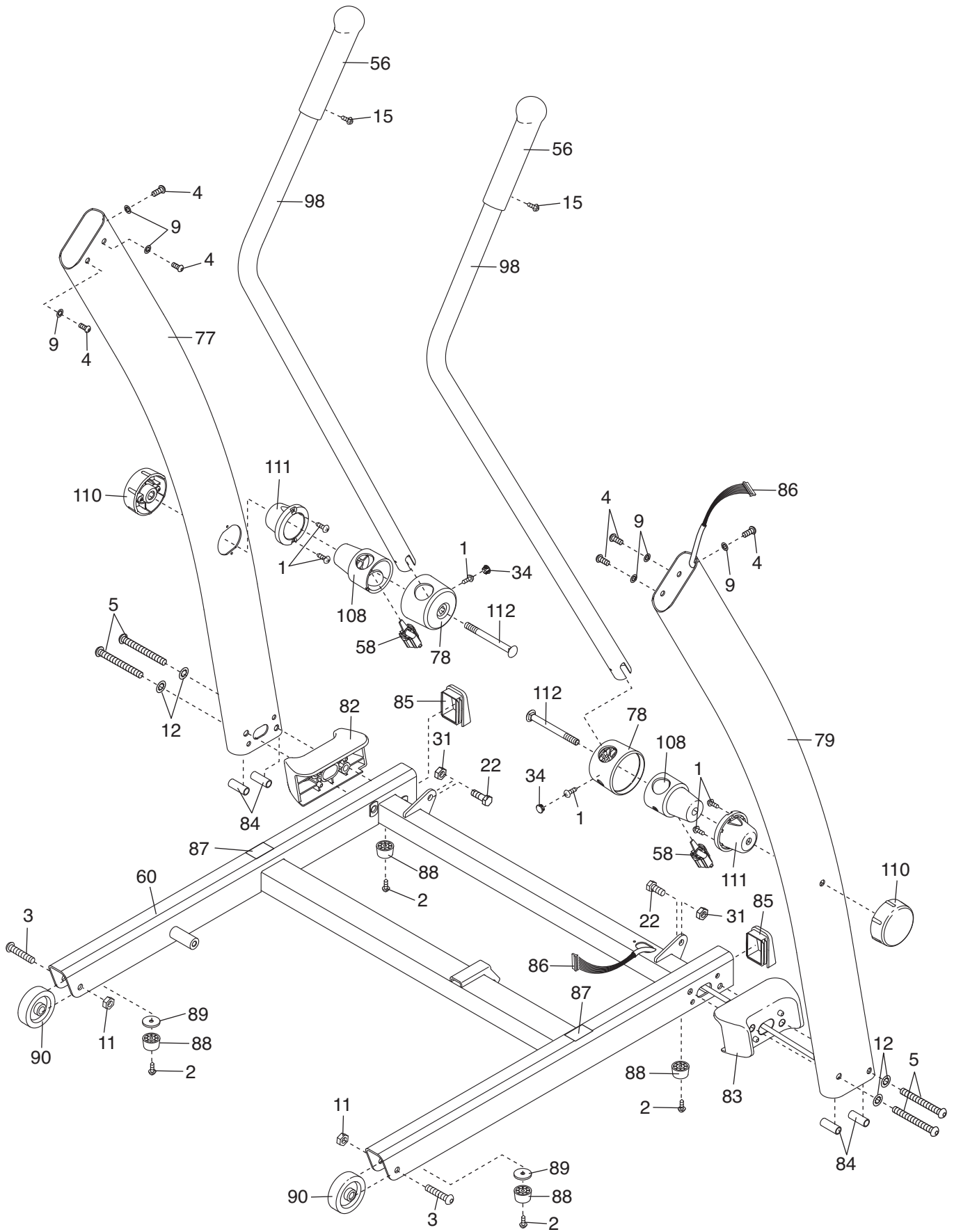
EXPLODED DRAWING B—Model No. GGTL59608.0

R0509B



EXPLODED DRAWING C—Model No. GGTL59608.0

R0509B



EXPLODED DRAWING D—Model No. GGTL59608.0

R0509B

