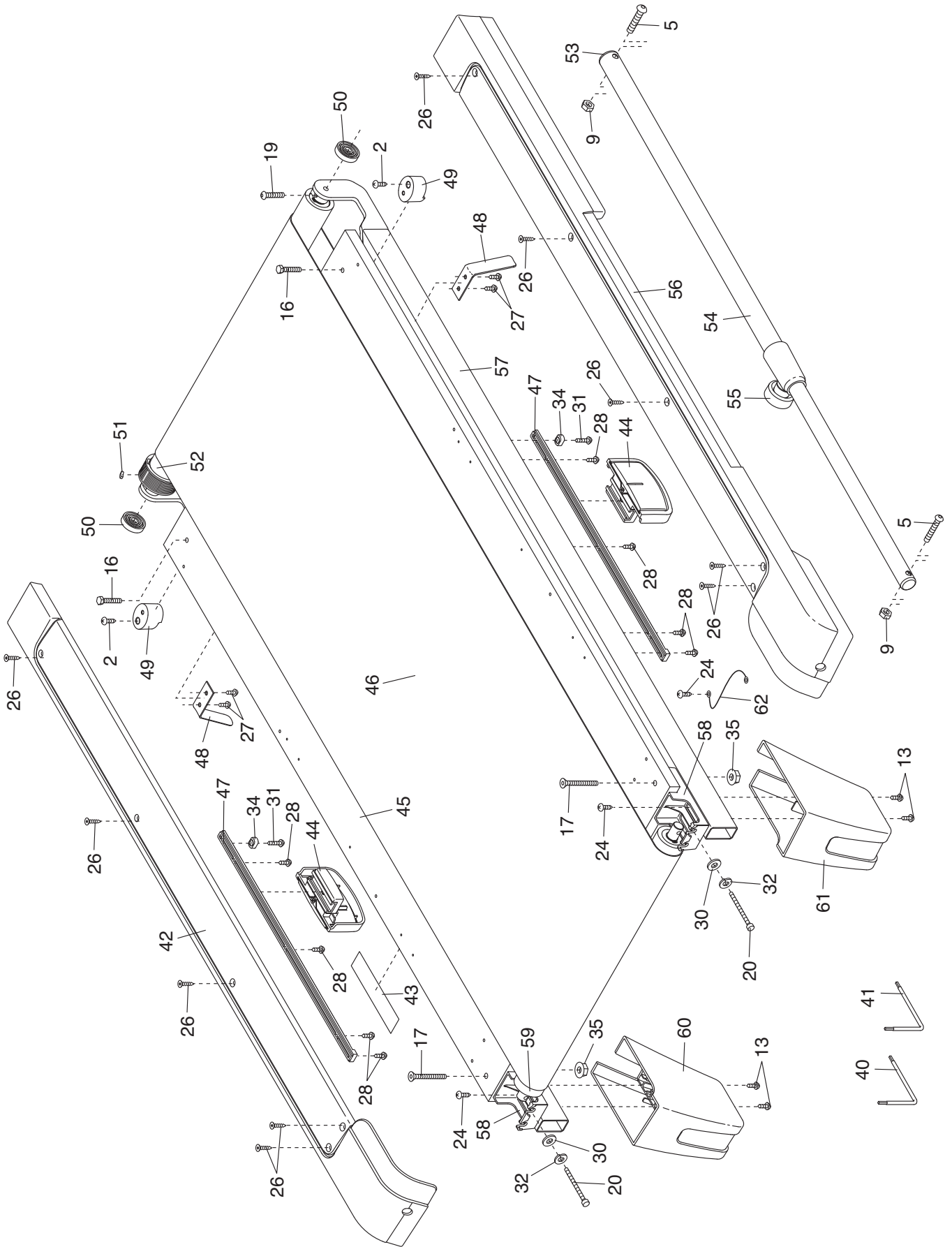


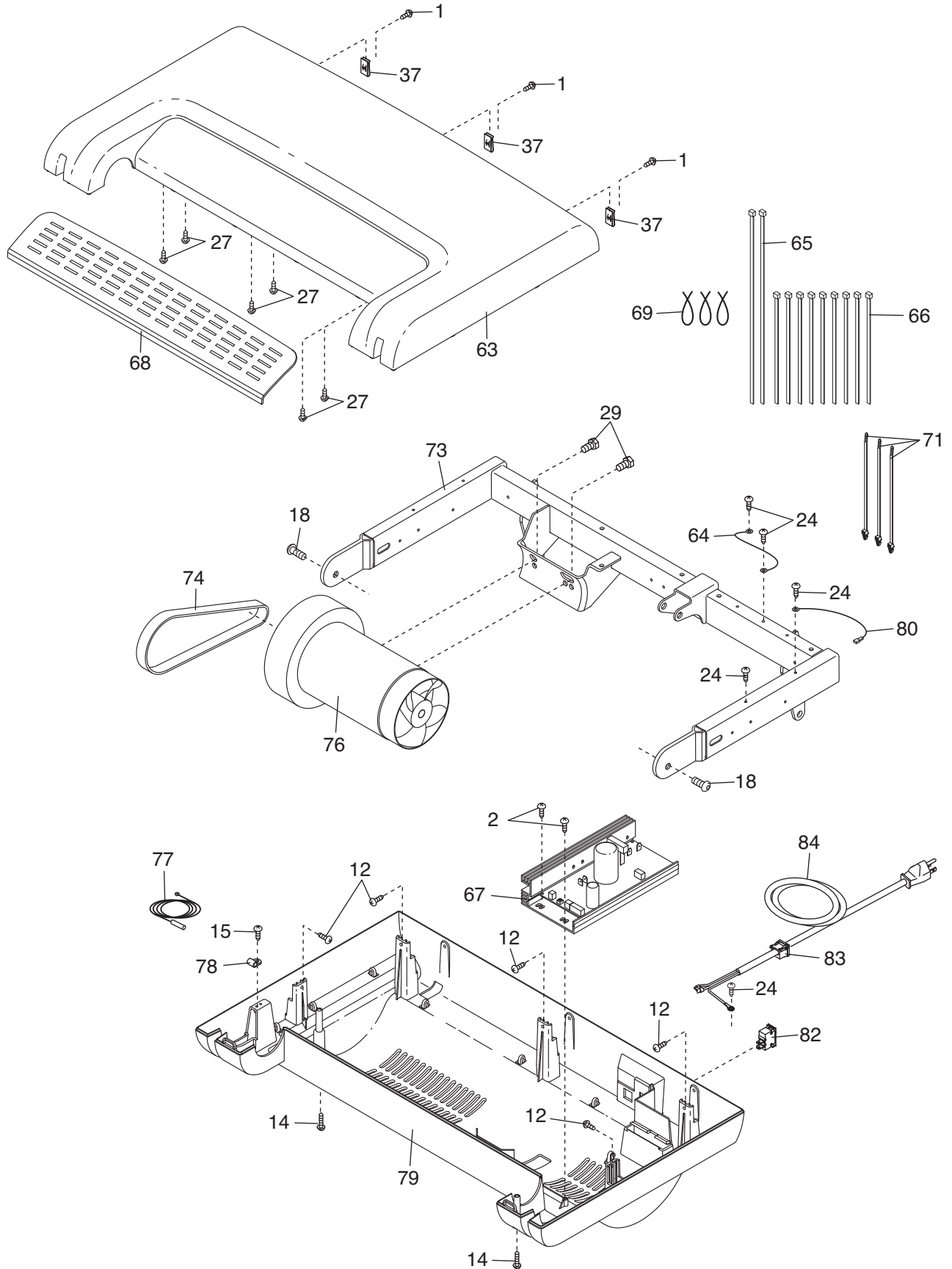
EXPLODED DRAWING A—Model No. GGTL78609.0

R0709A



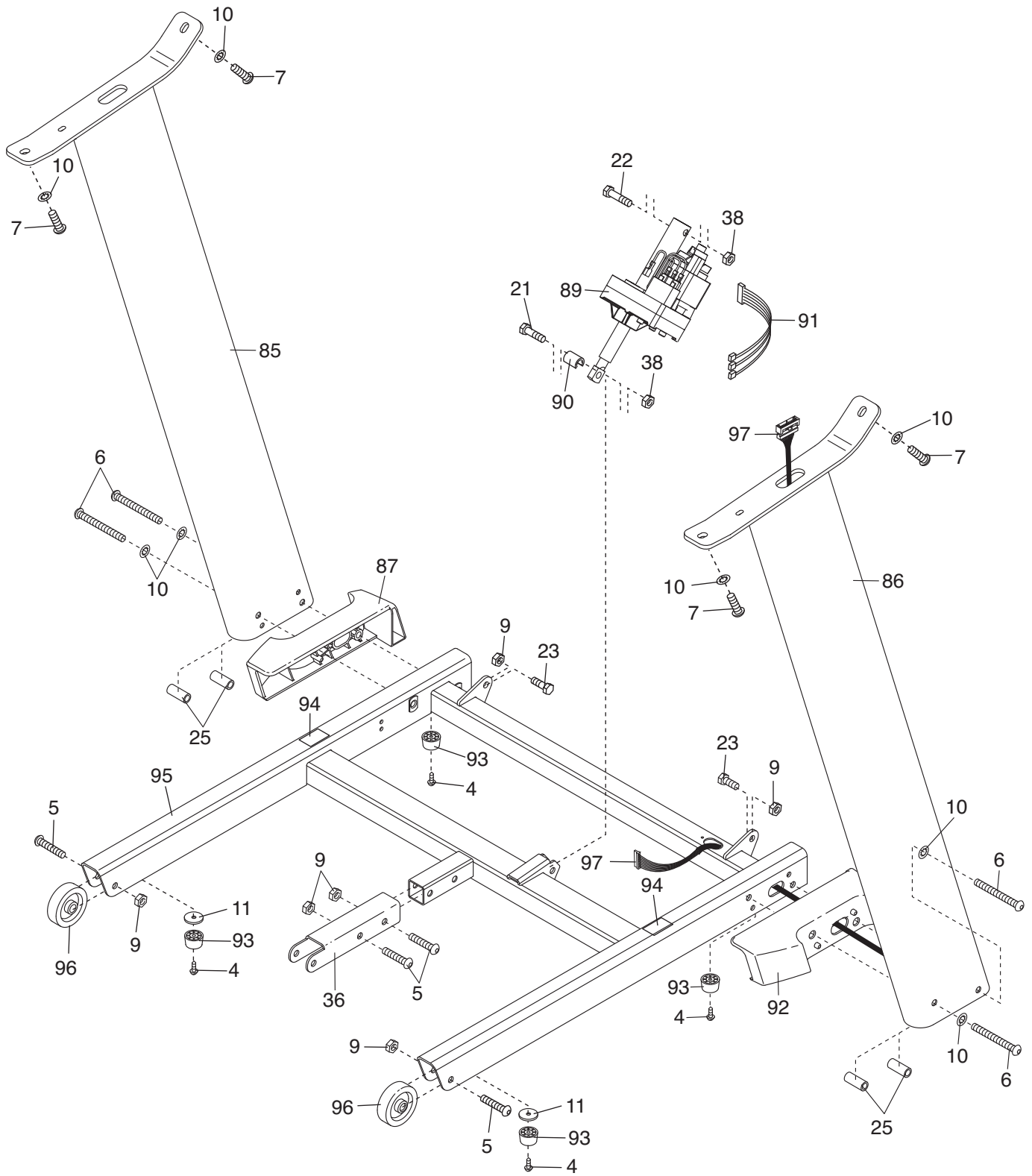
EXPLODED DRAWING B—Model No. GGTL78609.0

R0709A



EXPLODED DRAWING C—Model No. GGTL78609.0

R0709A



EXPLODED DRAWING E—Model No. GGTL78609.0

R0709A

