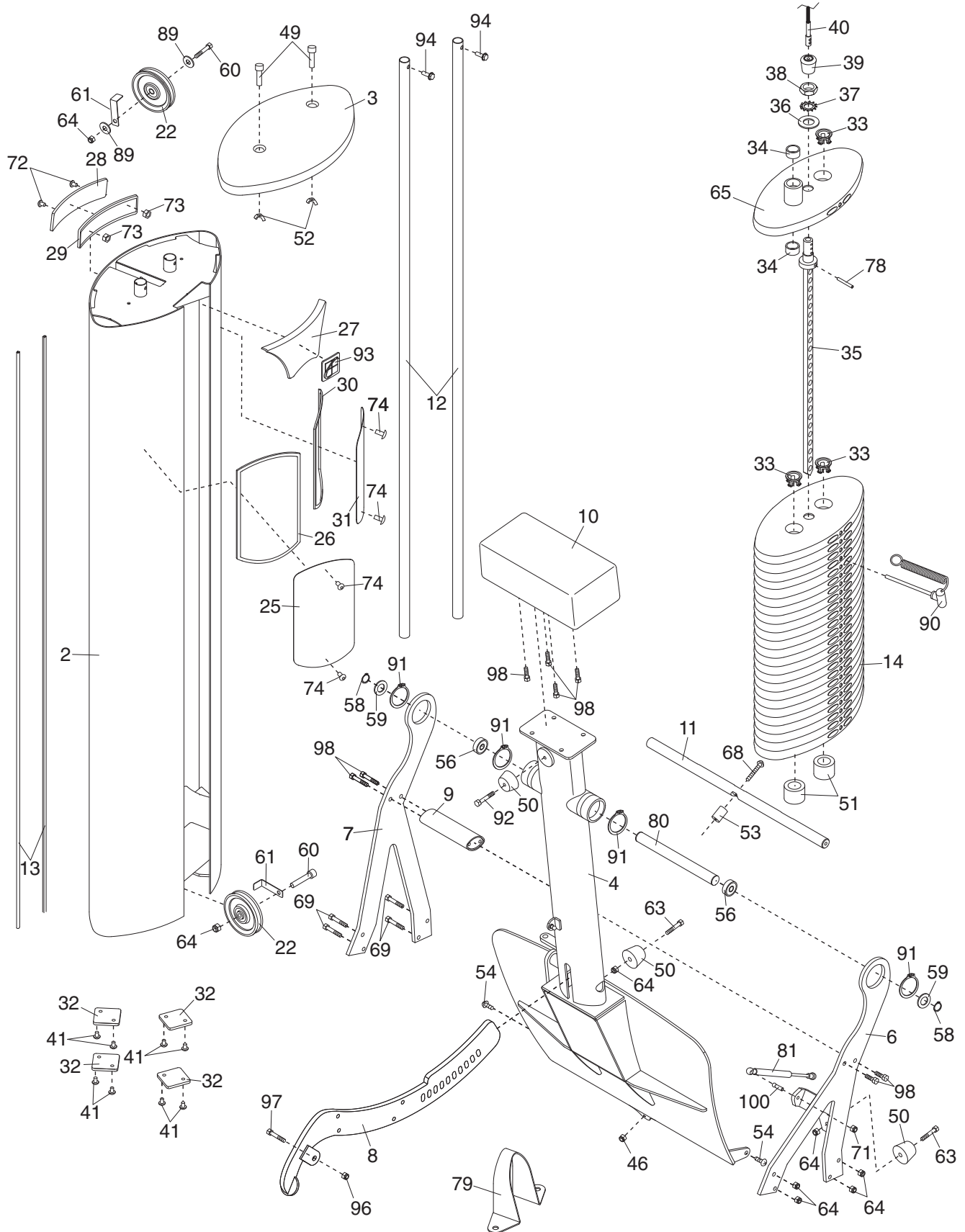


# EXPLODED DRAWING A—Model No. GZFI8043.1

R0405A



# EXPLODED DRAWING B—Model No. GZFI8043.1

R0405A

