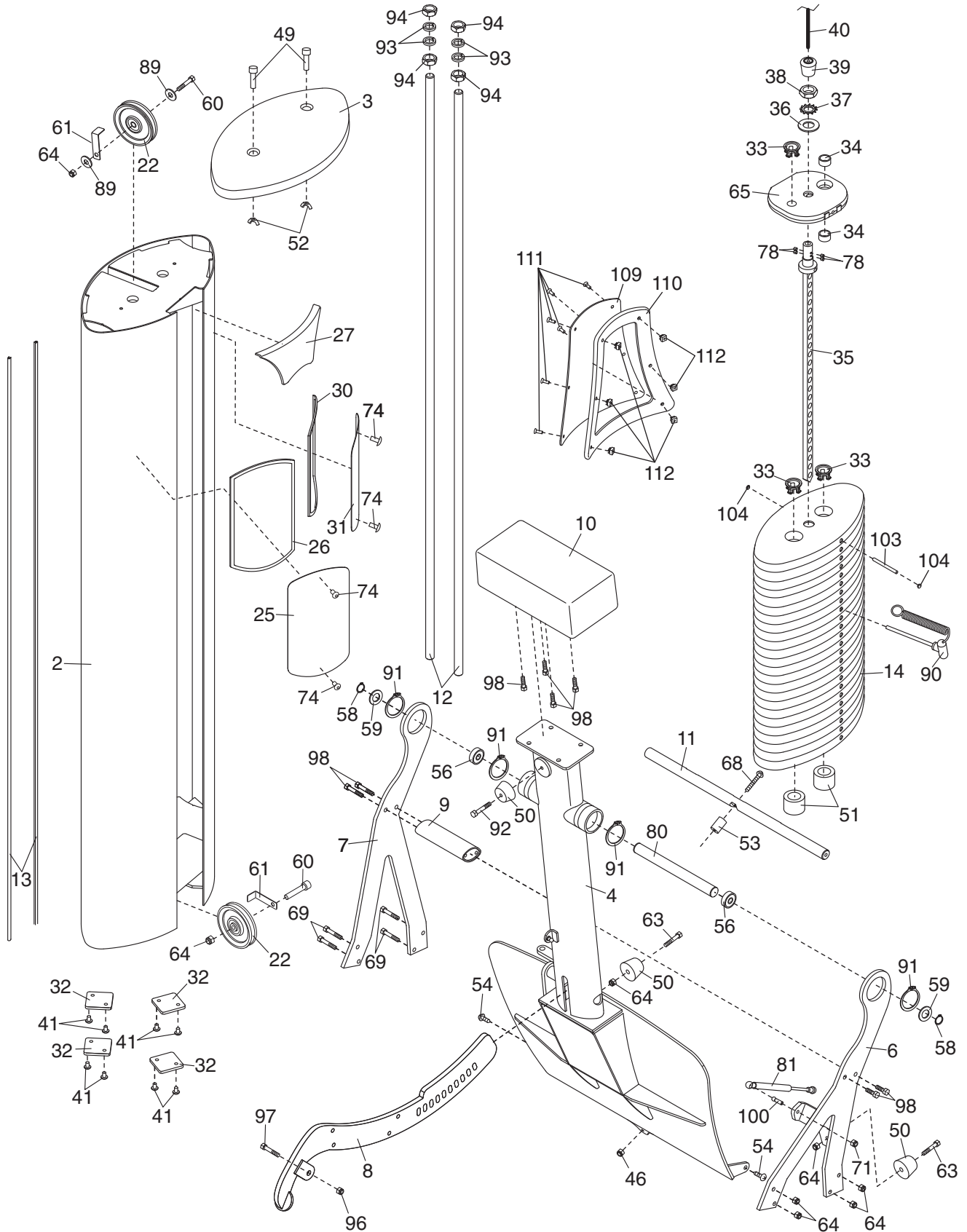


EXPLODED DRAWING A—Model No. GZFI8043.5

R1106A



EXPLODED DRAWING B—Model No. GZFI8043.5

R1106A

