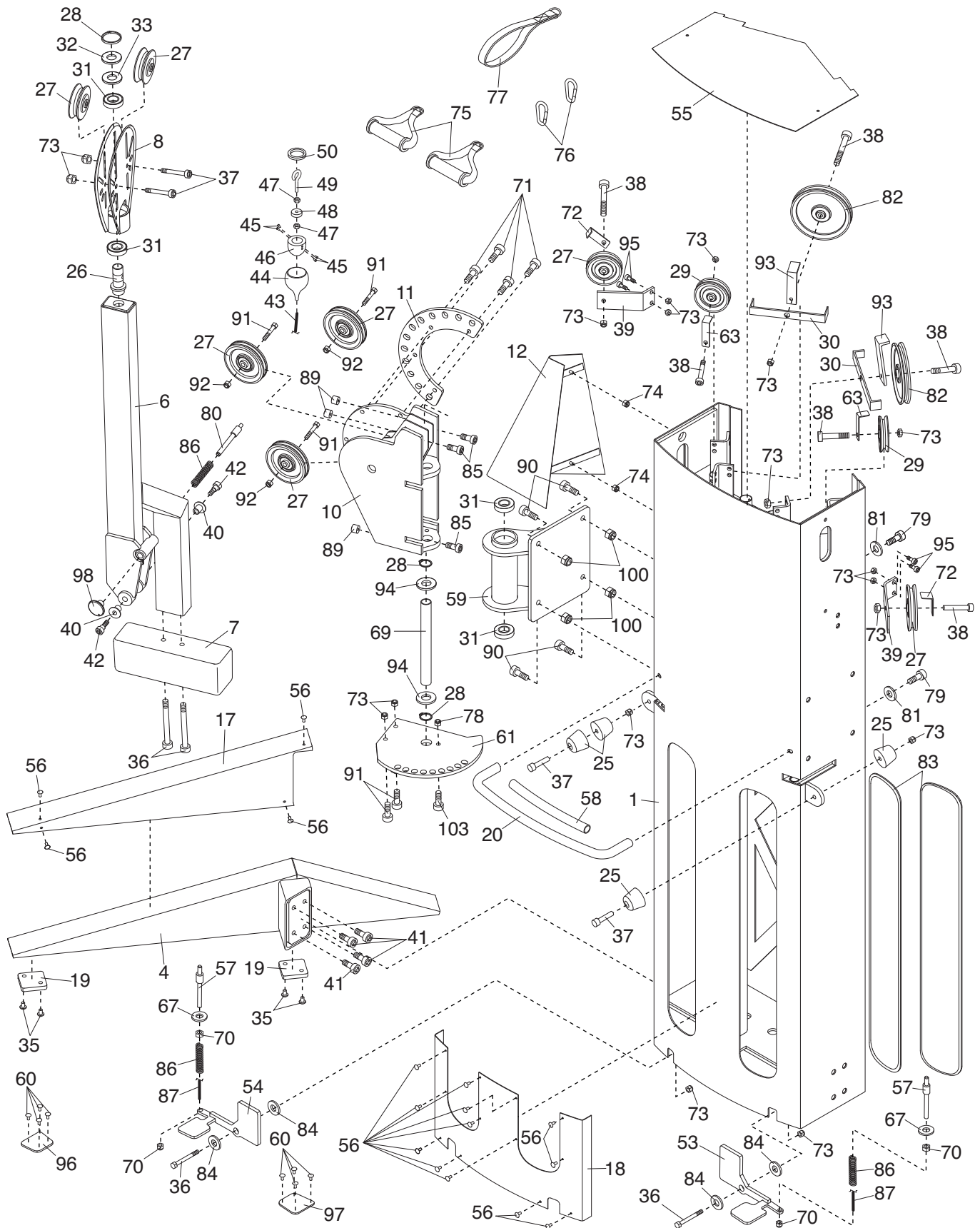


# EXPLODED DRAWING A—Model No. GZFM6024.4

R0506A



# EXPLODED DRAWING B—Model No. GZFM6024.4

R0506A

