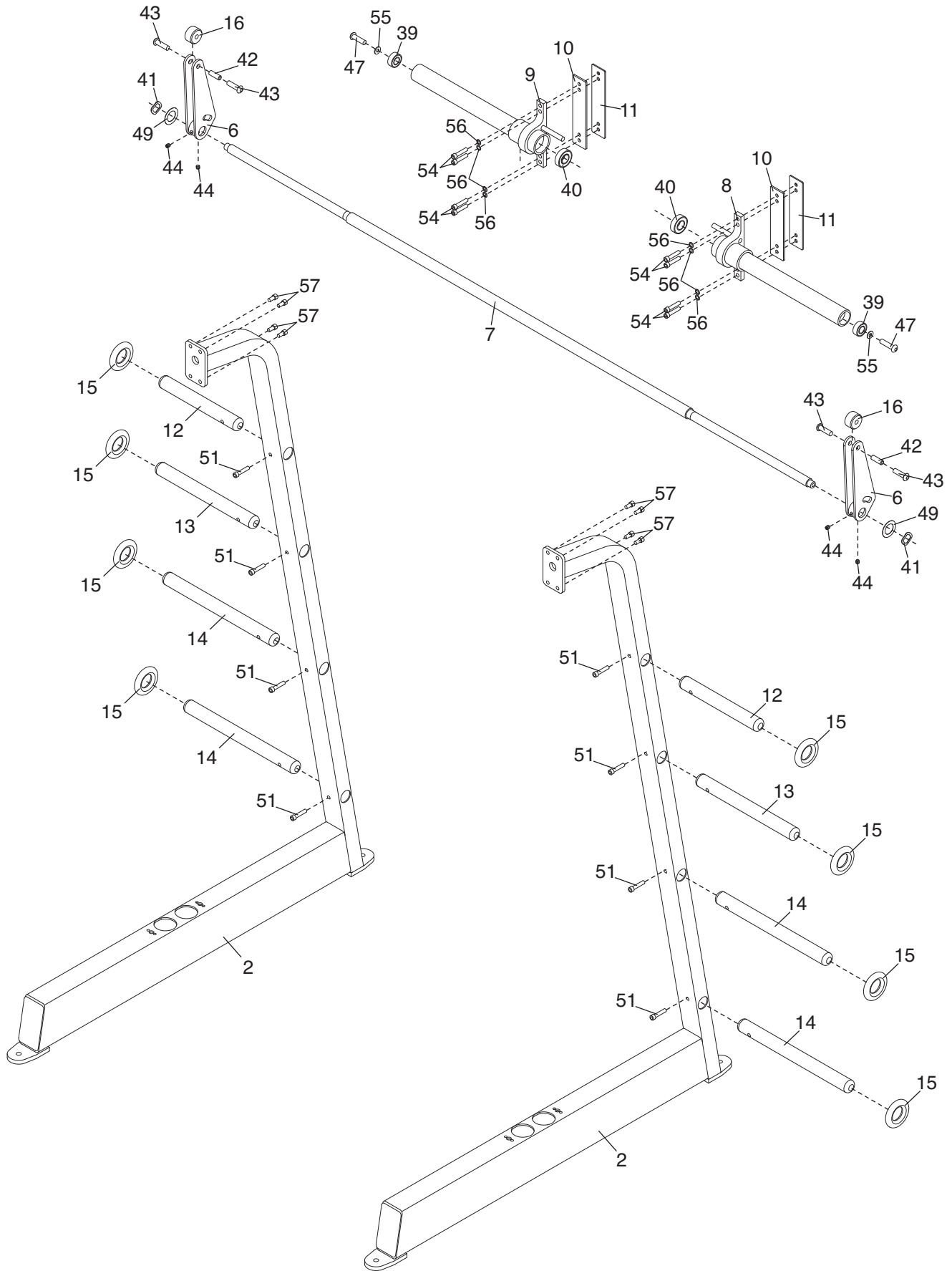


EXPLODED DRAWING A—Model No. GZFW2114.1

R0106A



EXPLODED DRAWING B—Model No. GZFW2114.1

R0106A

