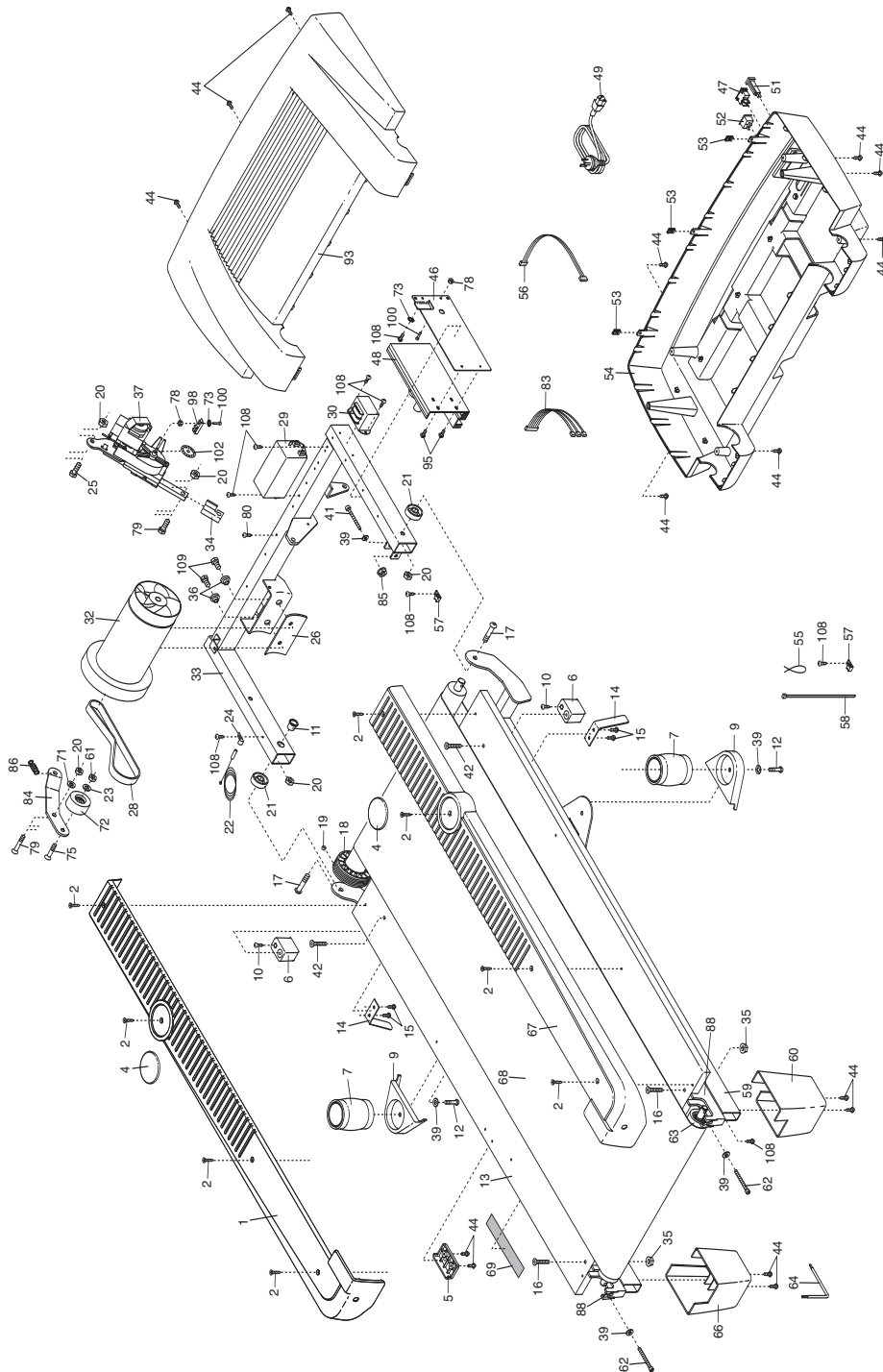


# EXPLODED DRAWING—Model No. HATL51205.0

R0805A



To identify the parts shown on this EXPLODED DRAWING, see the PART LIST on pages 30 and 31 of the User's Manual.

# EXPLODED DRAWING—Model No. HATL51205.0

R0805A

