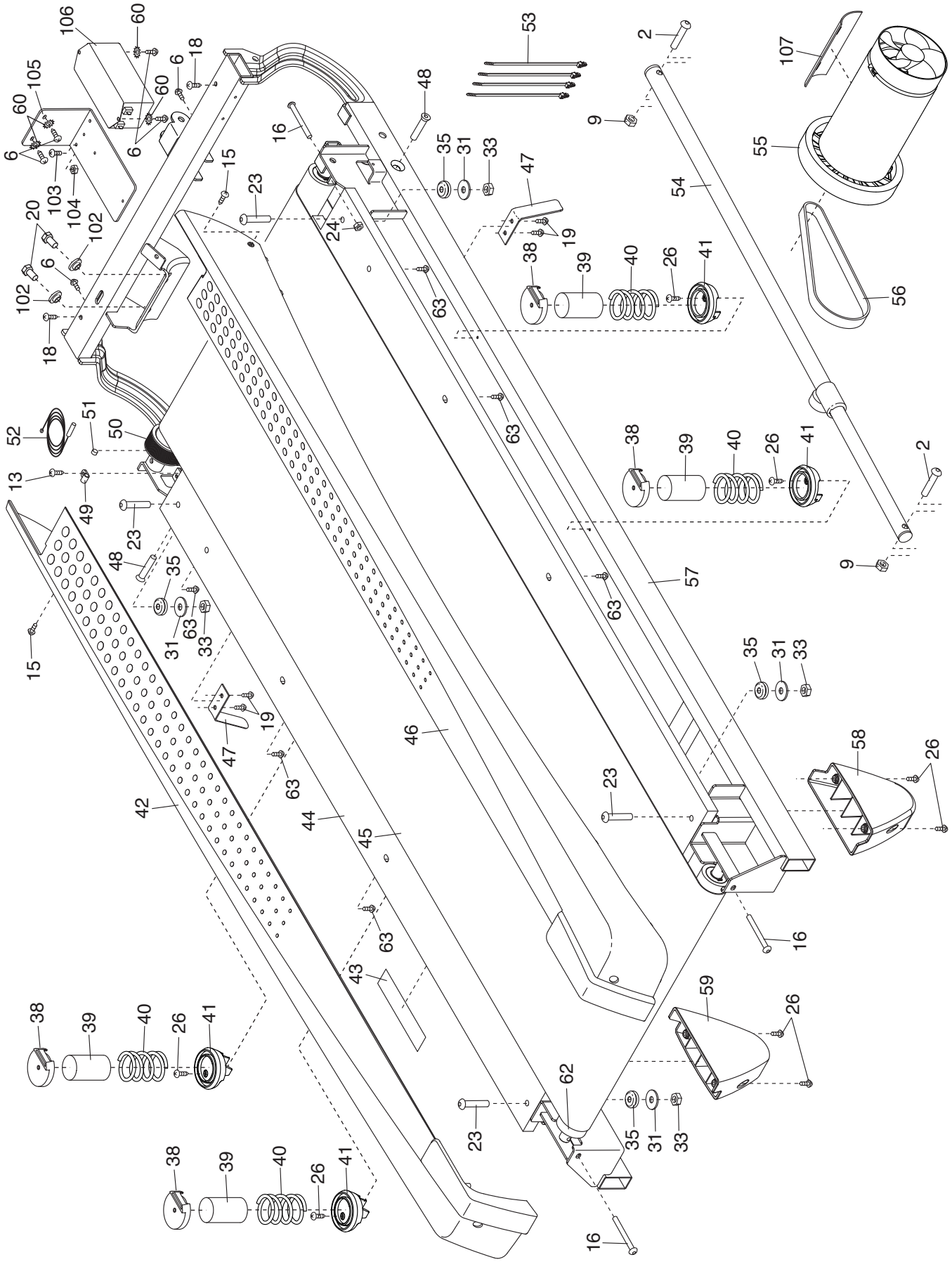


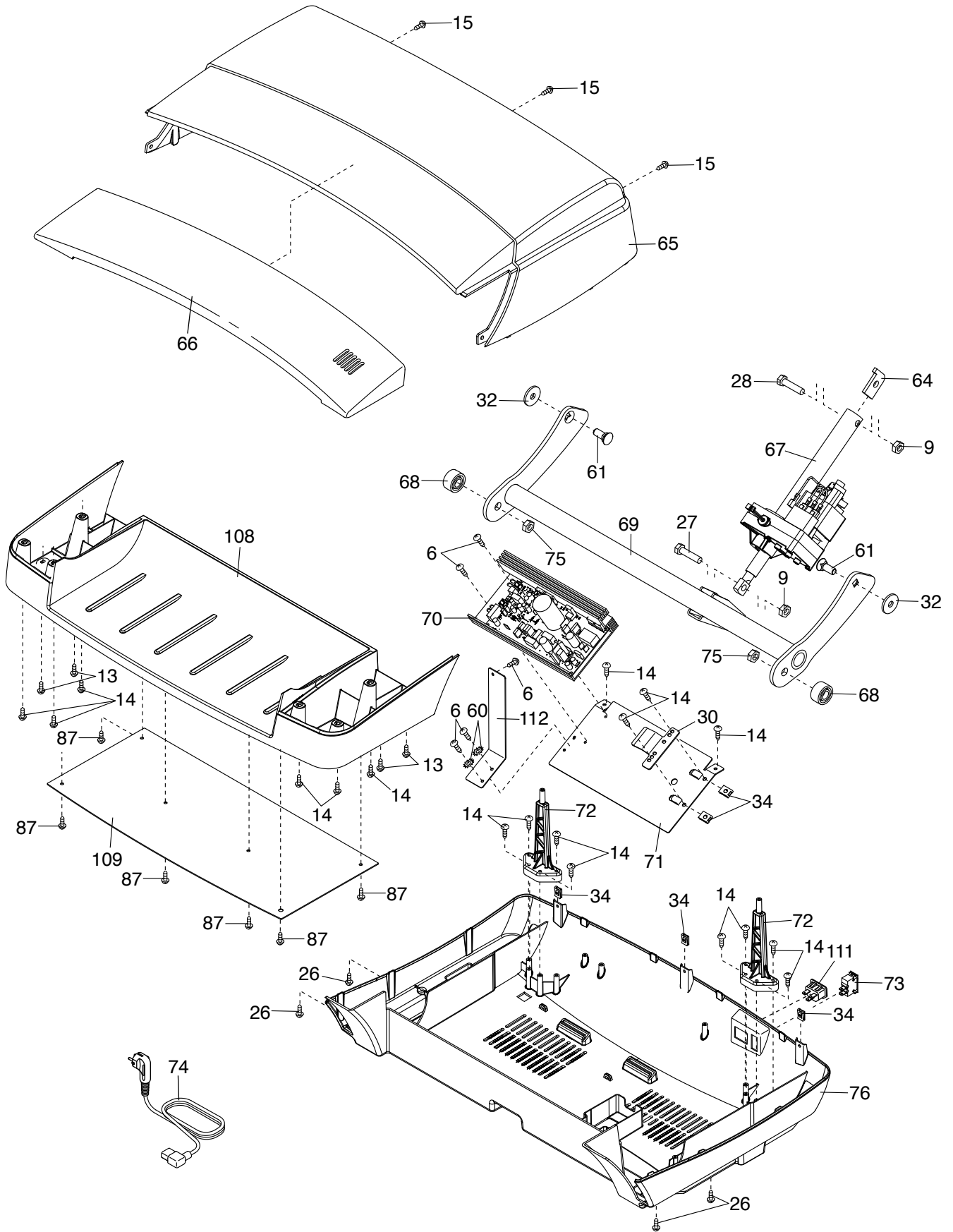
EXPLODED DRAWING A

Model No. HETL13913.1 R0415A



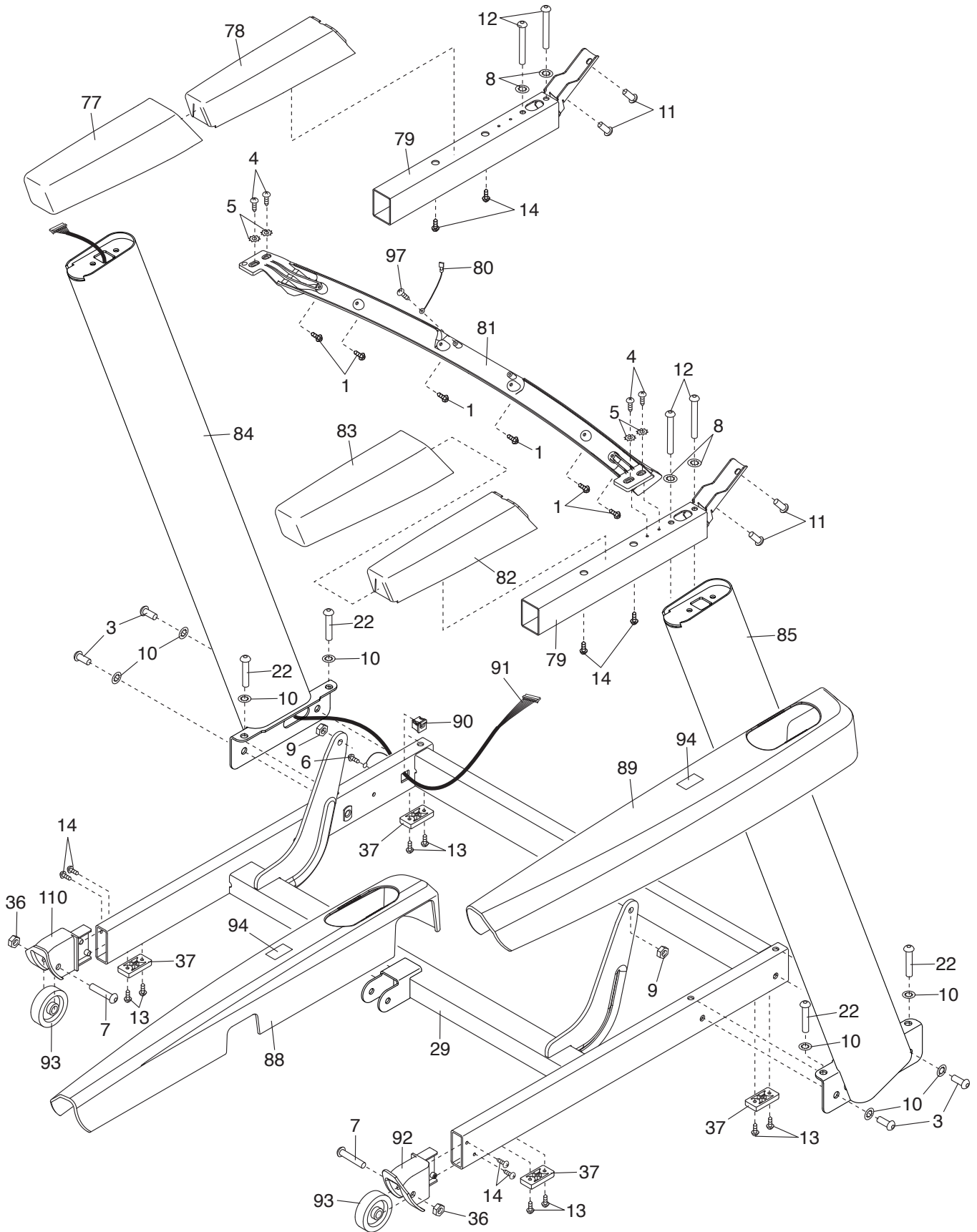
EXPLODED DRAWING B

Model No. HETL13913.1 R0415A



EXPLODED DRAWING C

Model No. HETL13913.1 R0415A



EXPLODED DRAWING D

Model No. HETL13913.1 R0415A

