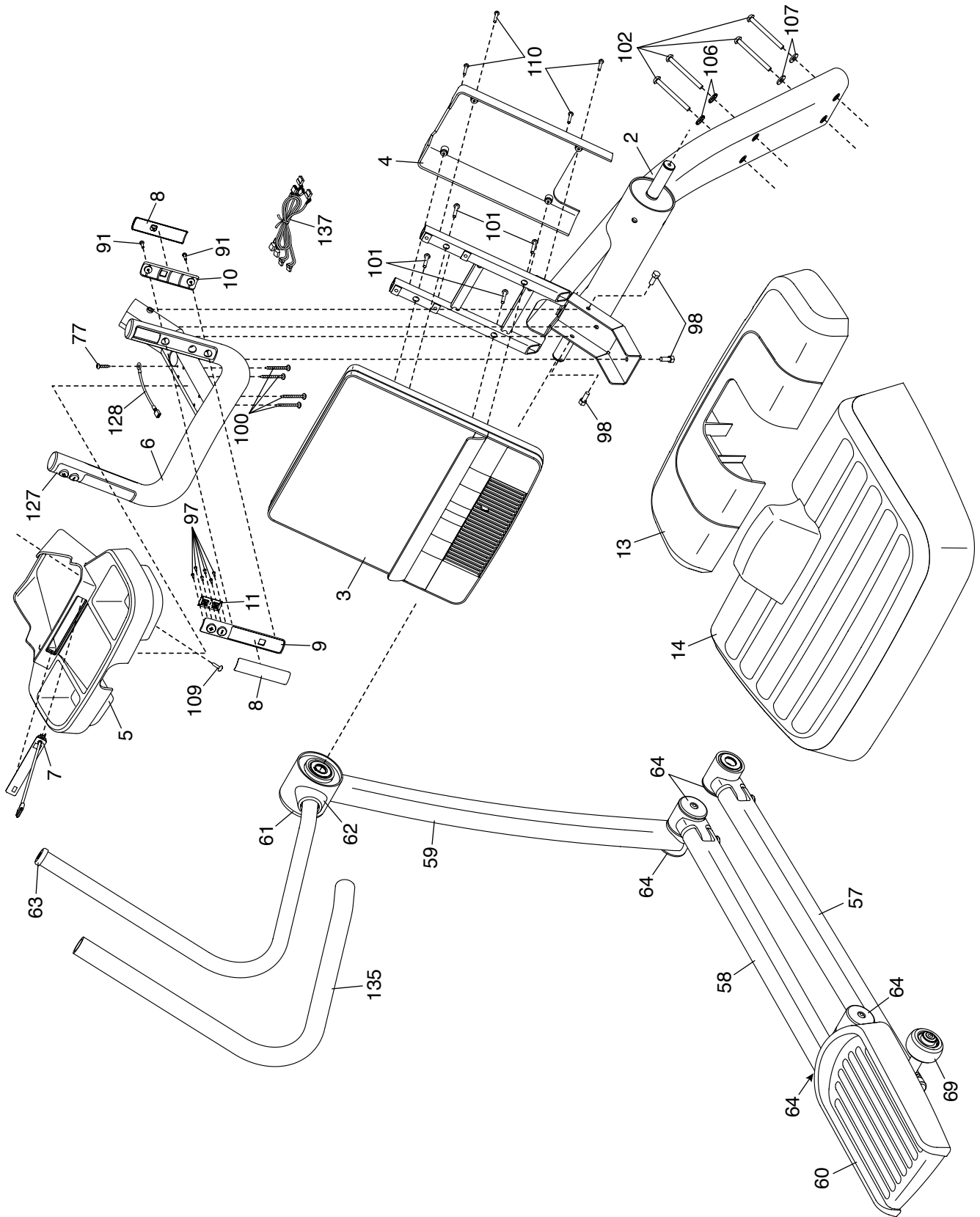


EXPLODED DRAWING A

Model No. HF-XT9800-I.2 R0713A



EXPLODED DRAWING B

Model No. HF-XT9800-1.2 R0713A

