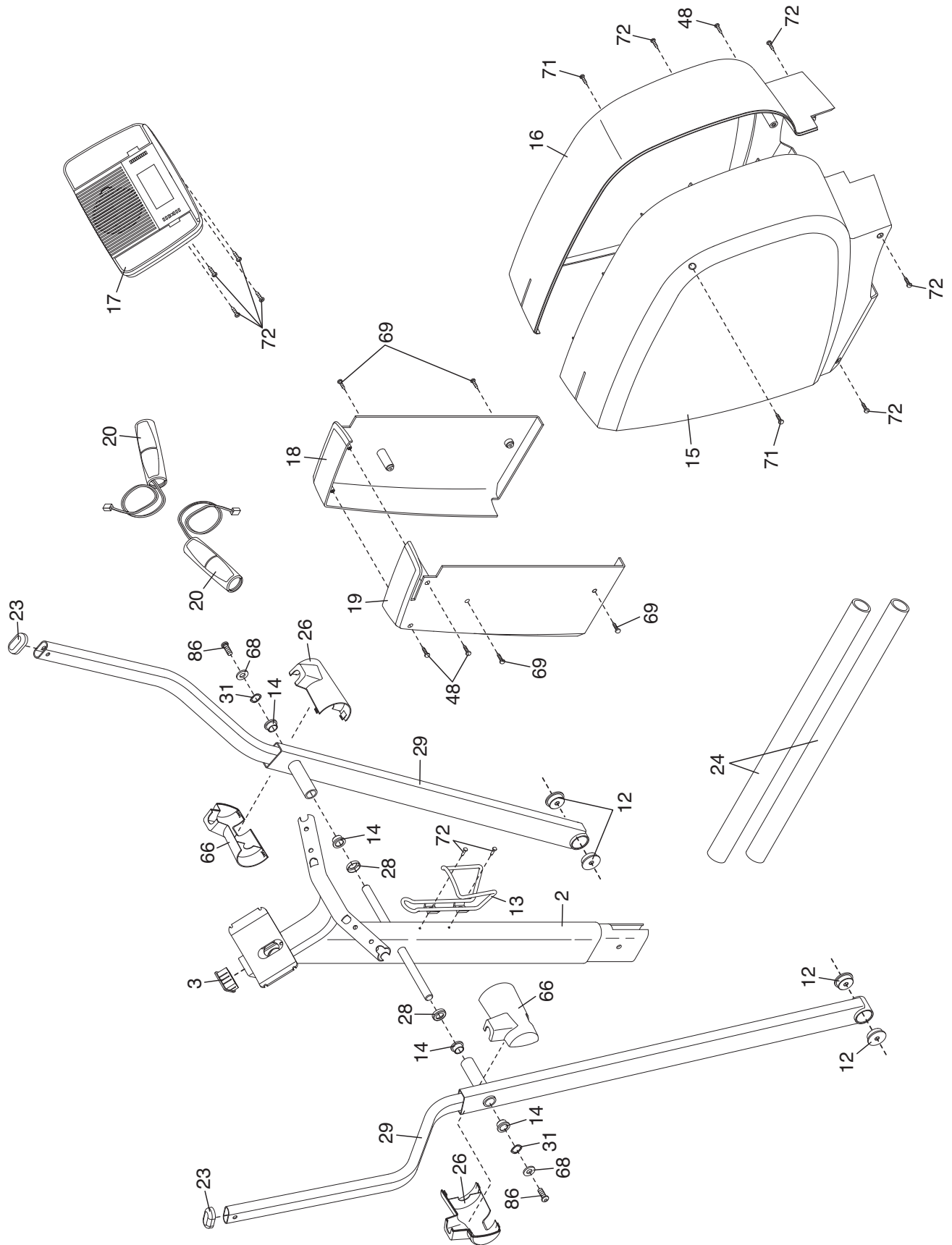


EXPLODED DRAWING A—Model No. HMEL50708.0

R1008A



EXPLODED DRAWING B—Model No. HMEL50708.0

R1008A

