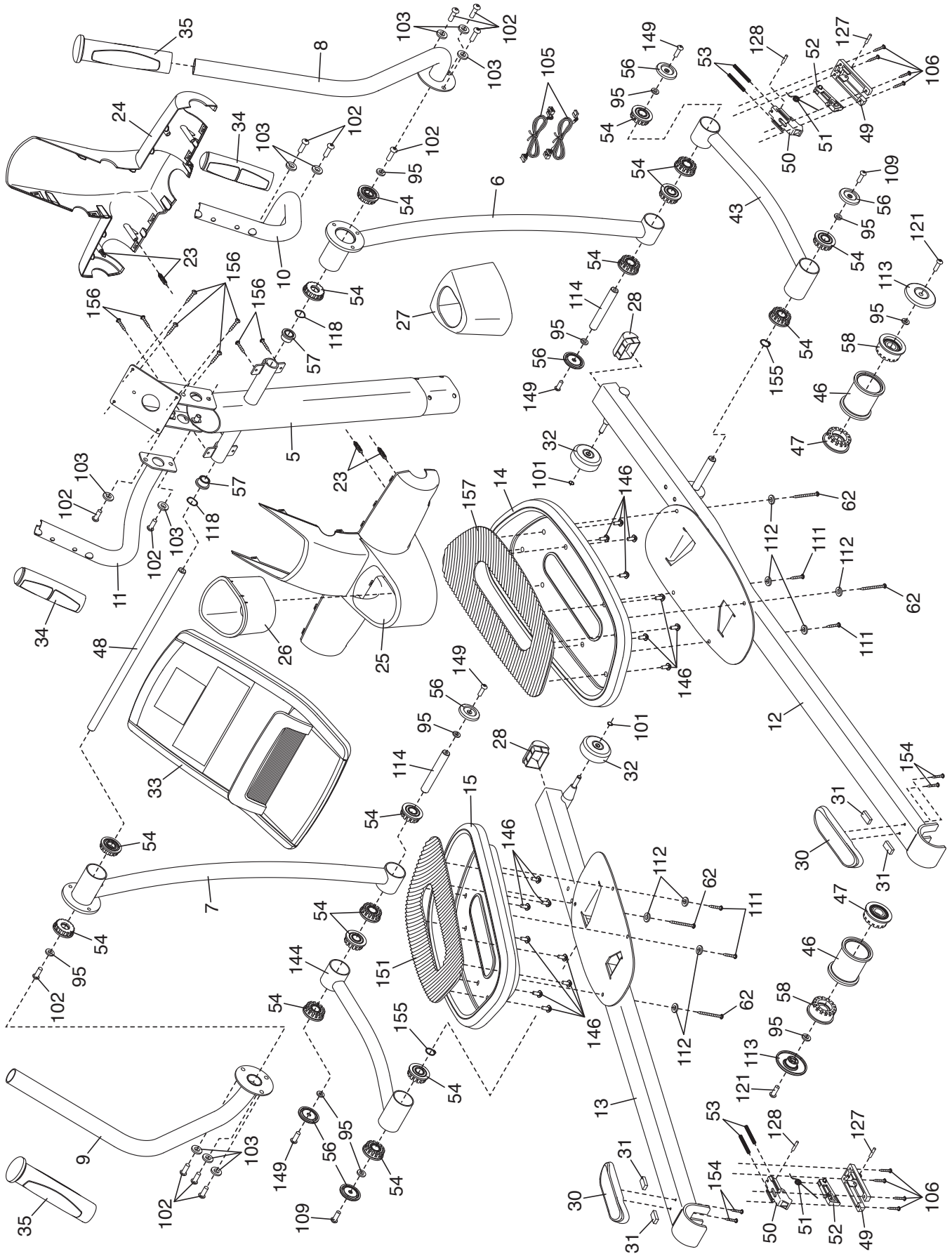


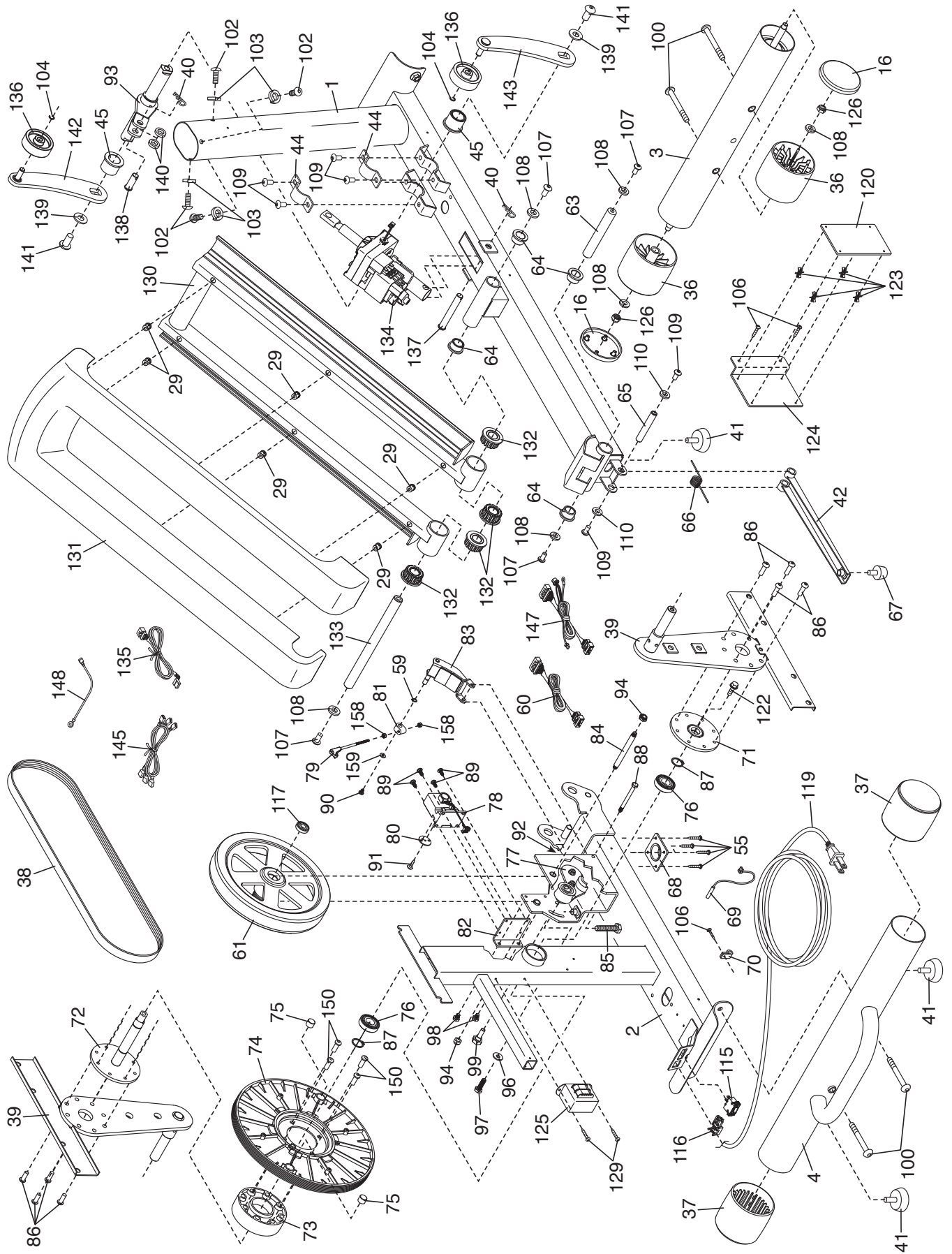
EXPLODED DRAWING A

Model No. HRCCEL16912.0 R0812A



EXPLODED DRAWING B

Model No. HRCCEL16912.0 R0812A



EXPLODED DRAWING C

Model No. HRCCEL16912.0 R0812A

