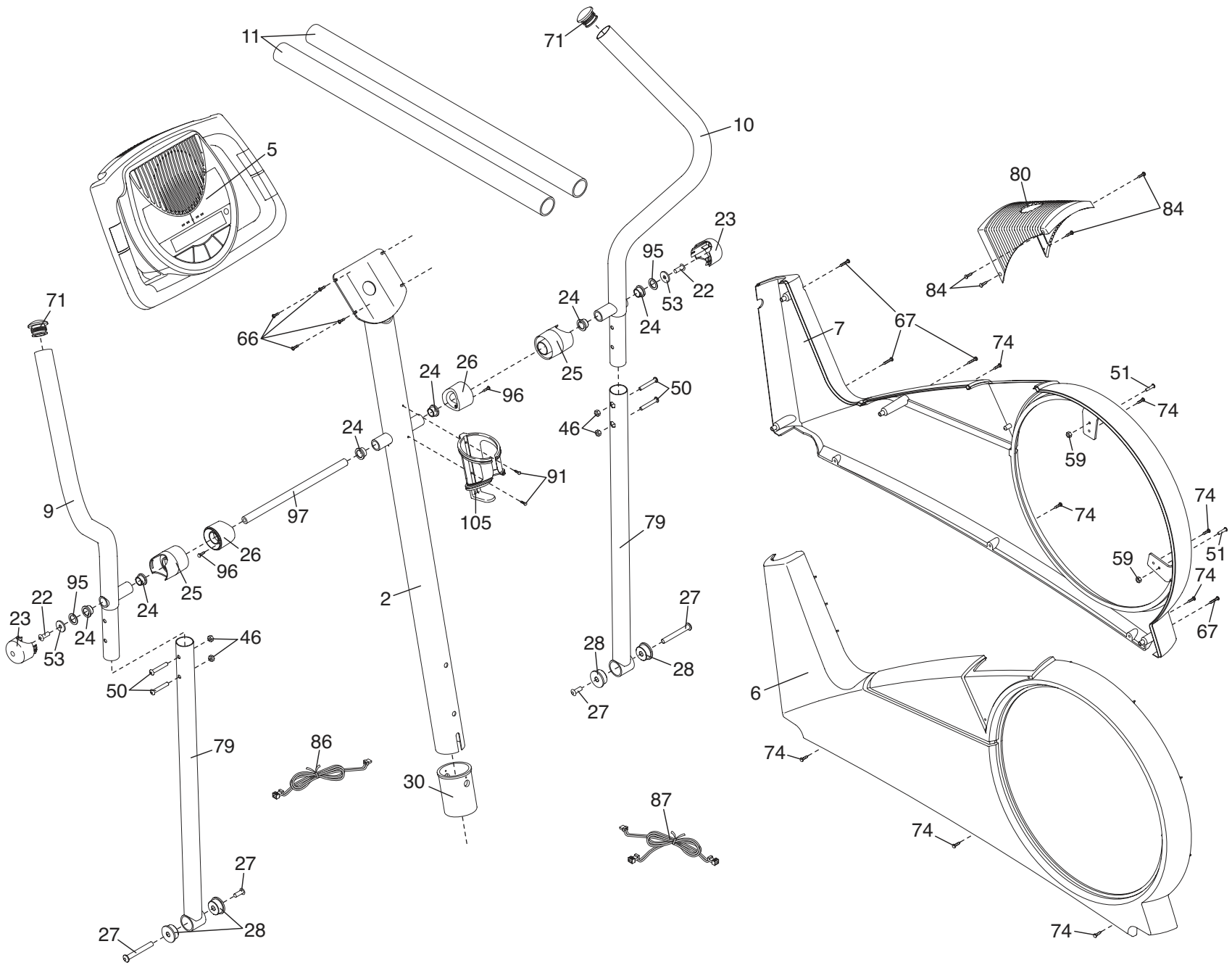


**EXPLODED DRAWING A—Model No. HREL32907.0**

R0607A



**EXPLODED DRAWING B—Model No. HREL32907.0**

R0607A

