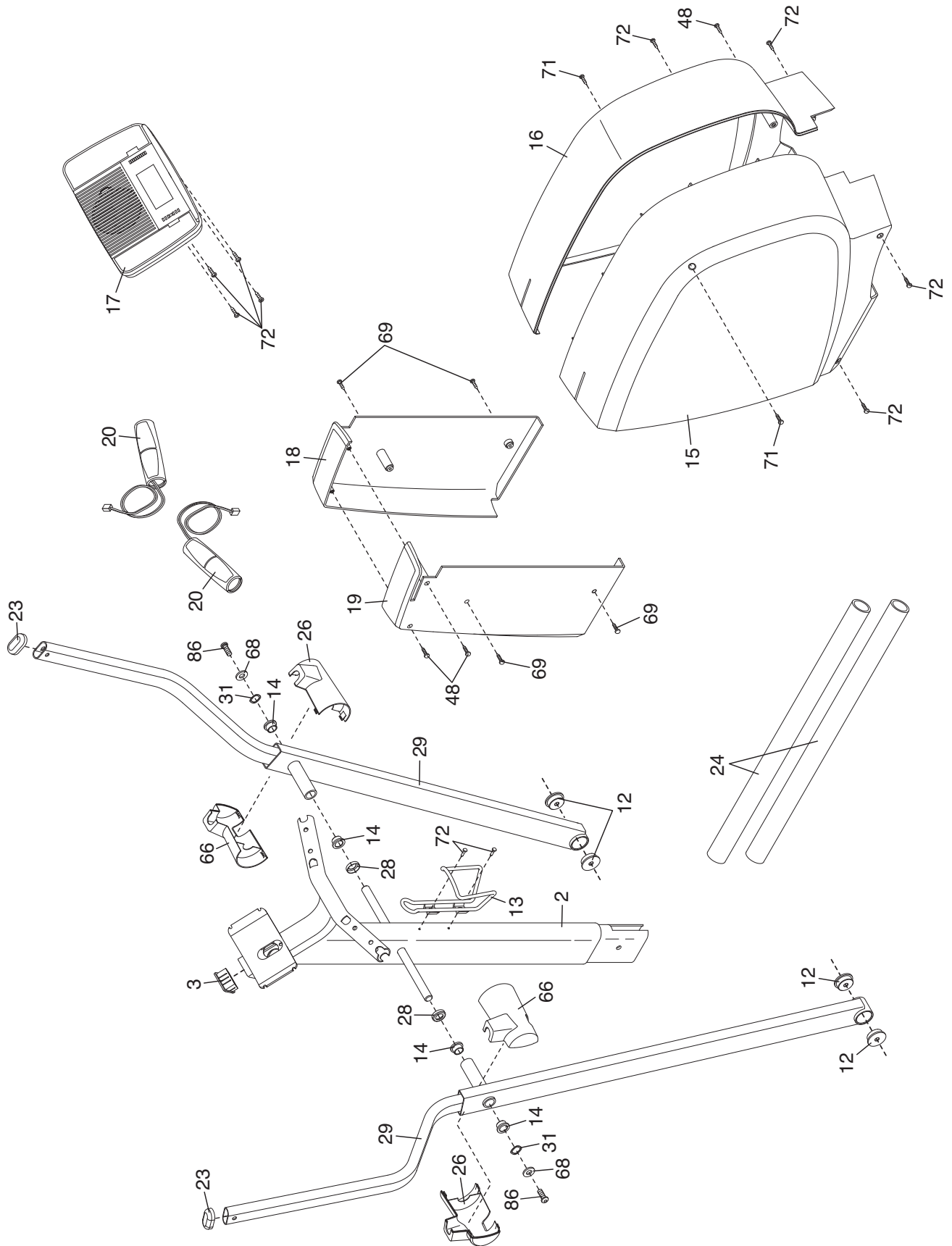


EXPLODED DRAWING A—Model No. HREL50708.1

R0908A



EXPLODED DRAWING B—Model No. HREL50708.1

R0908A

