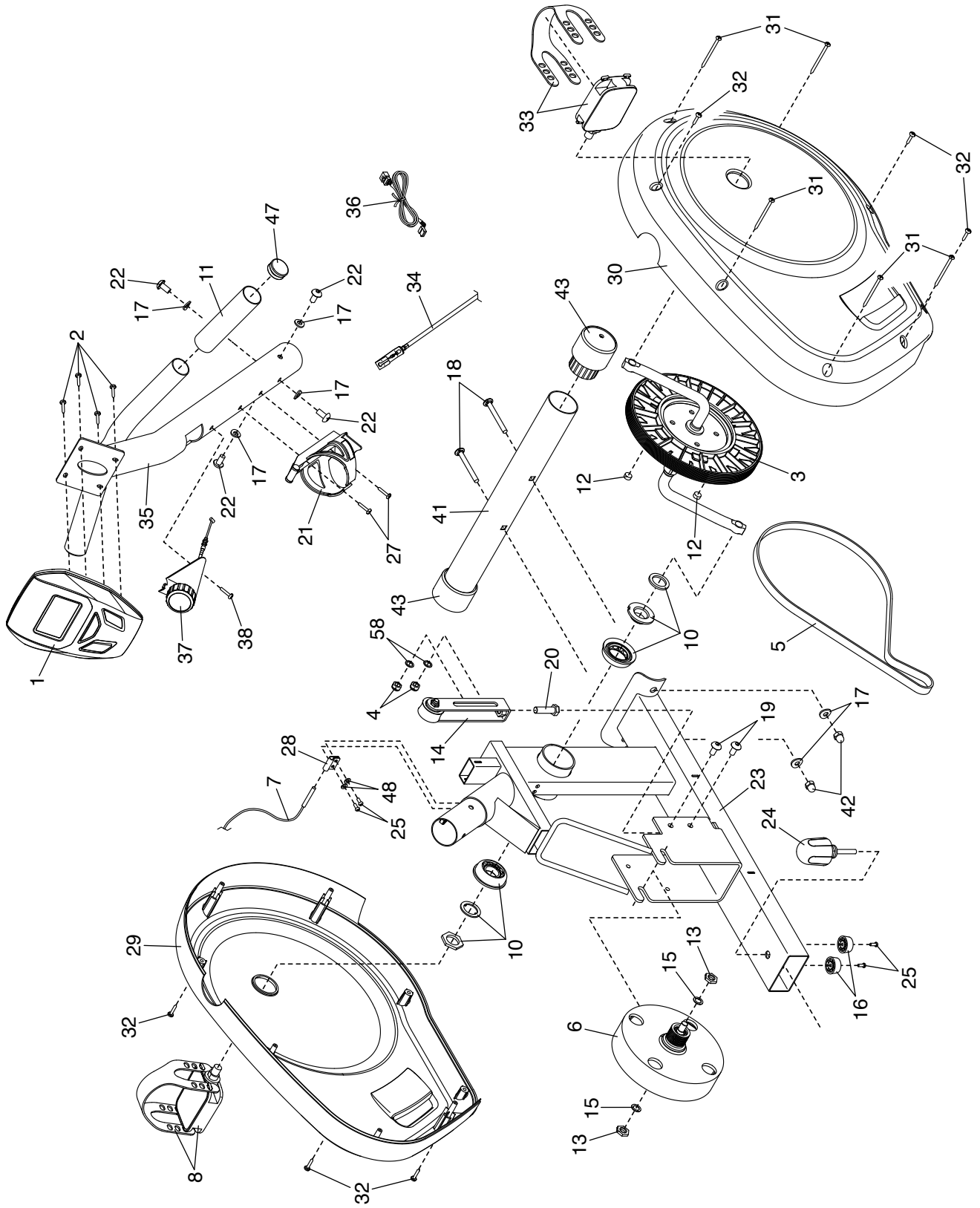


# EXPLODED DRAWING A

Model No. HREX81414C.0 R0717A



# EXPLODED DRAWING B

Model No. HREX81414C.0 R0717A

