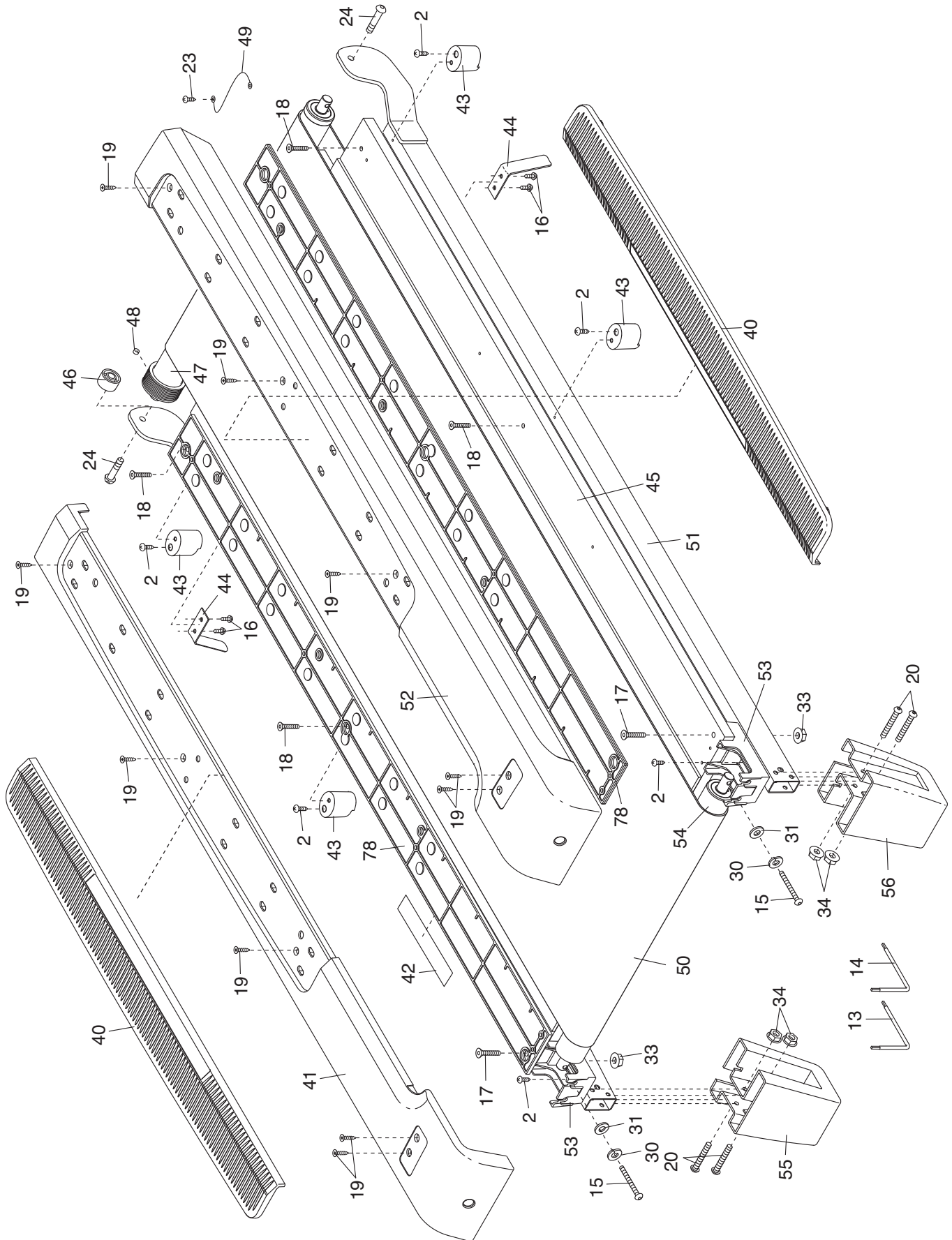


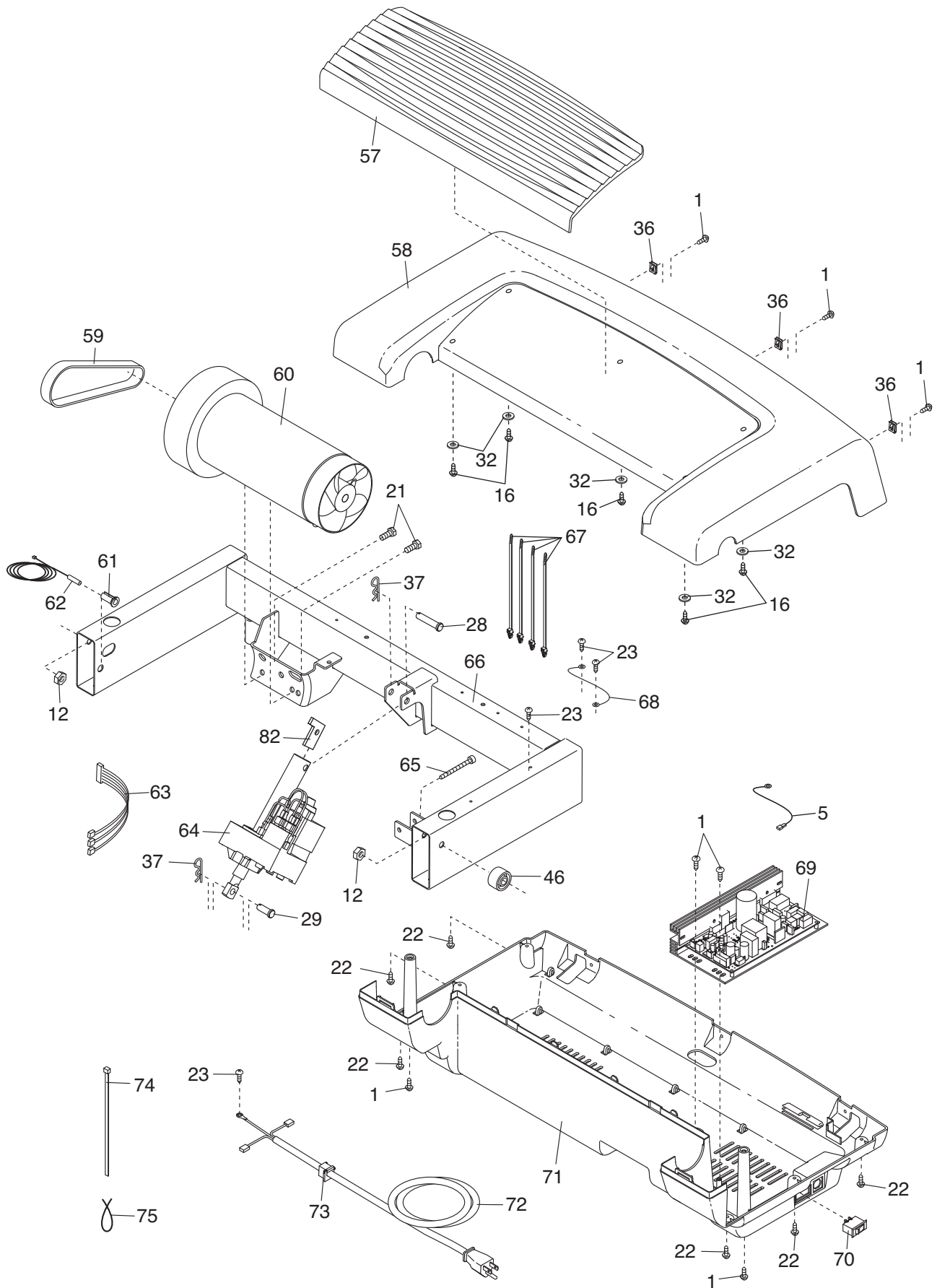
EXPLODED DRAWING A—Model No. HRTL08508.1

R0709A



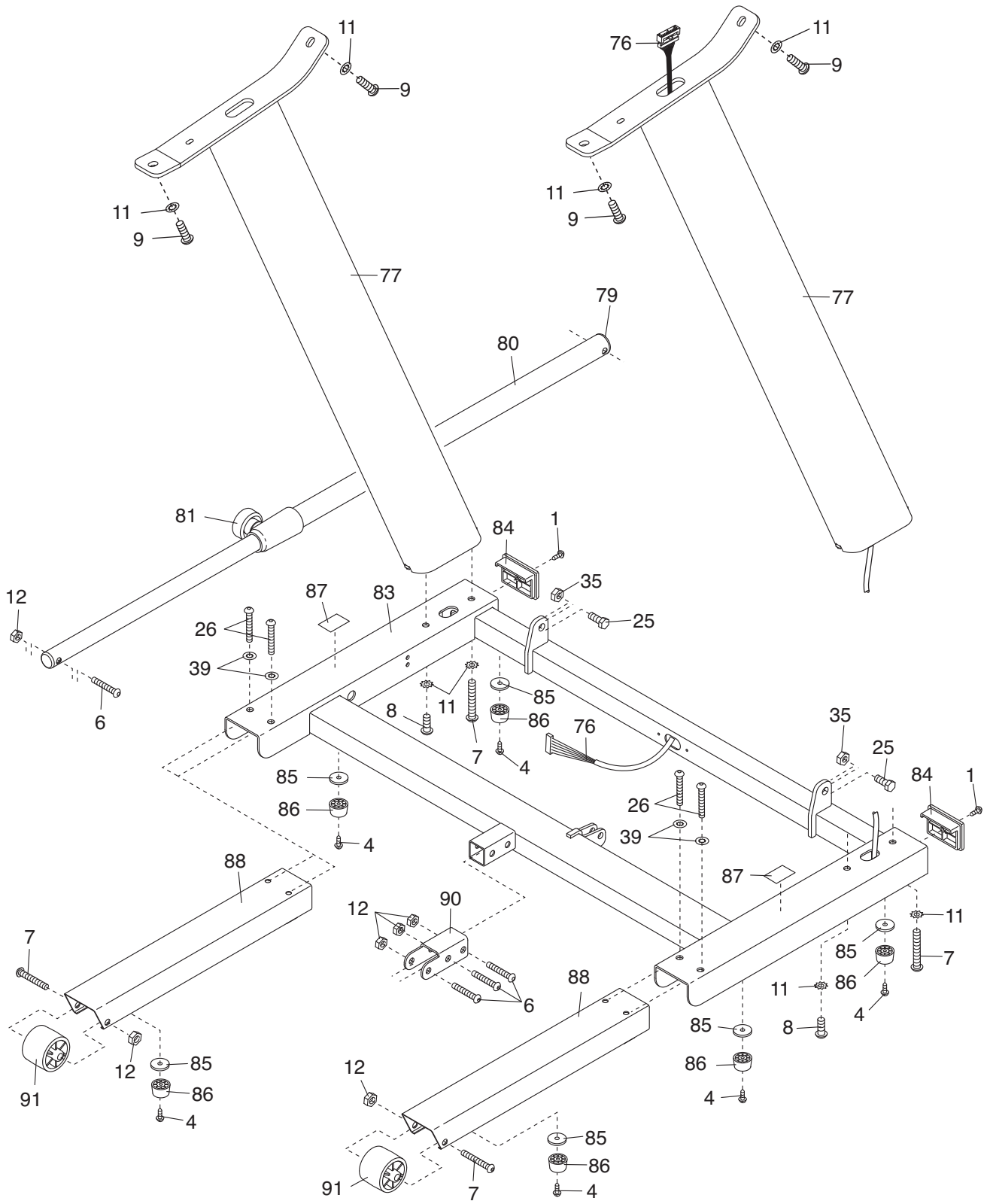
EXPLODED DRAWING B—Model No. HRTL08508.1

R0709A



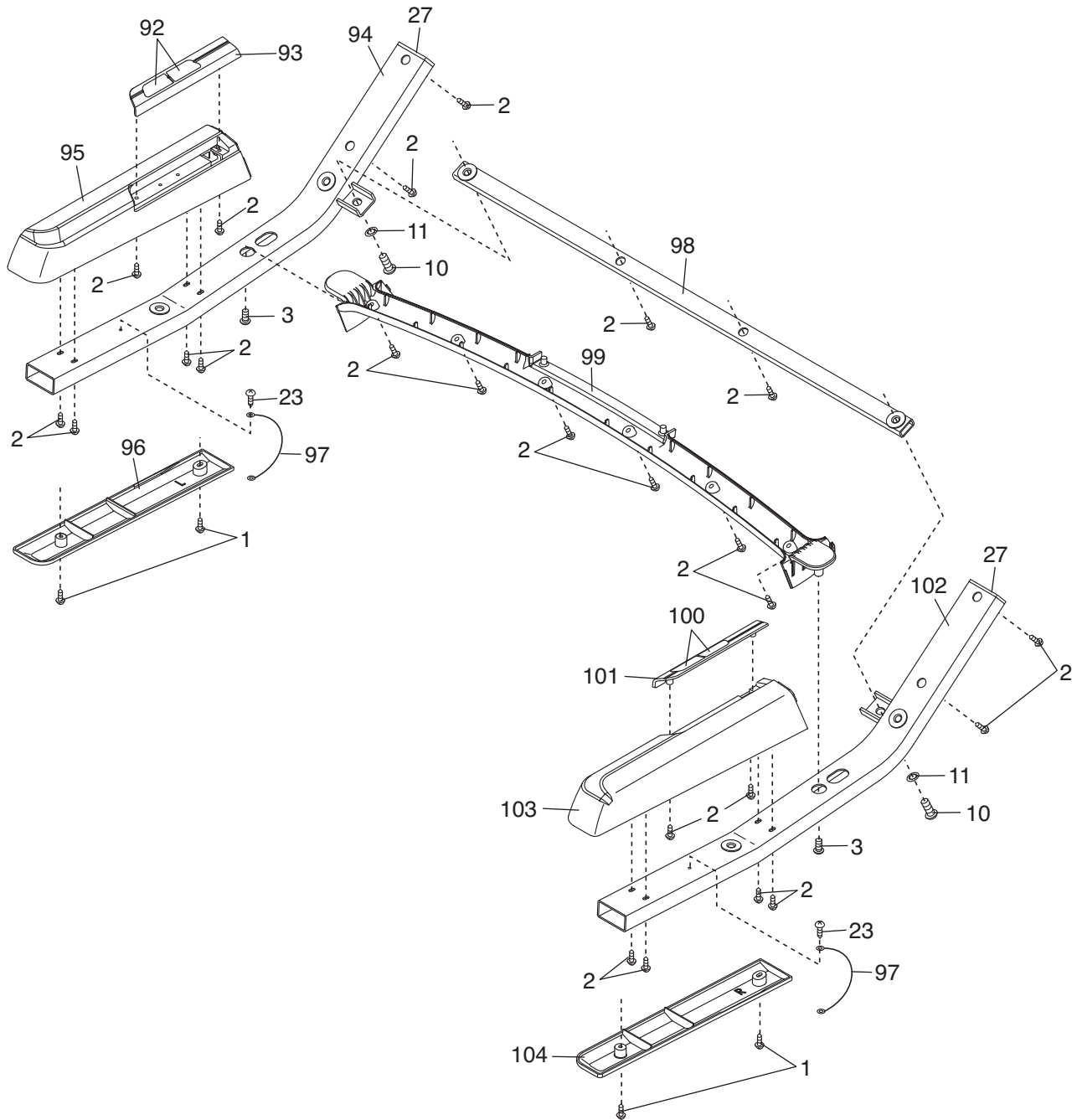
EXPLODED DRAWING C—Model No. HRTL08508.1

R0709A



EXPLODED DRAWING D—Model No. HRTL08508.1

R0709A



EXPLODED DRAWING E—Model No. HRTL08508.1

R0709A

